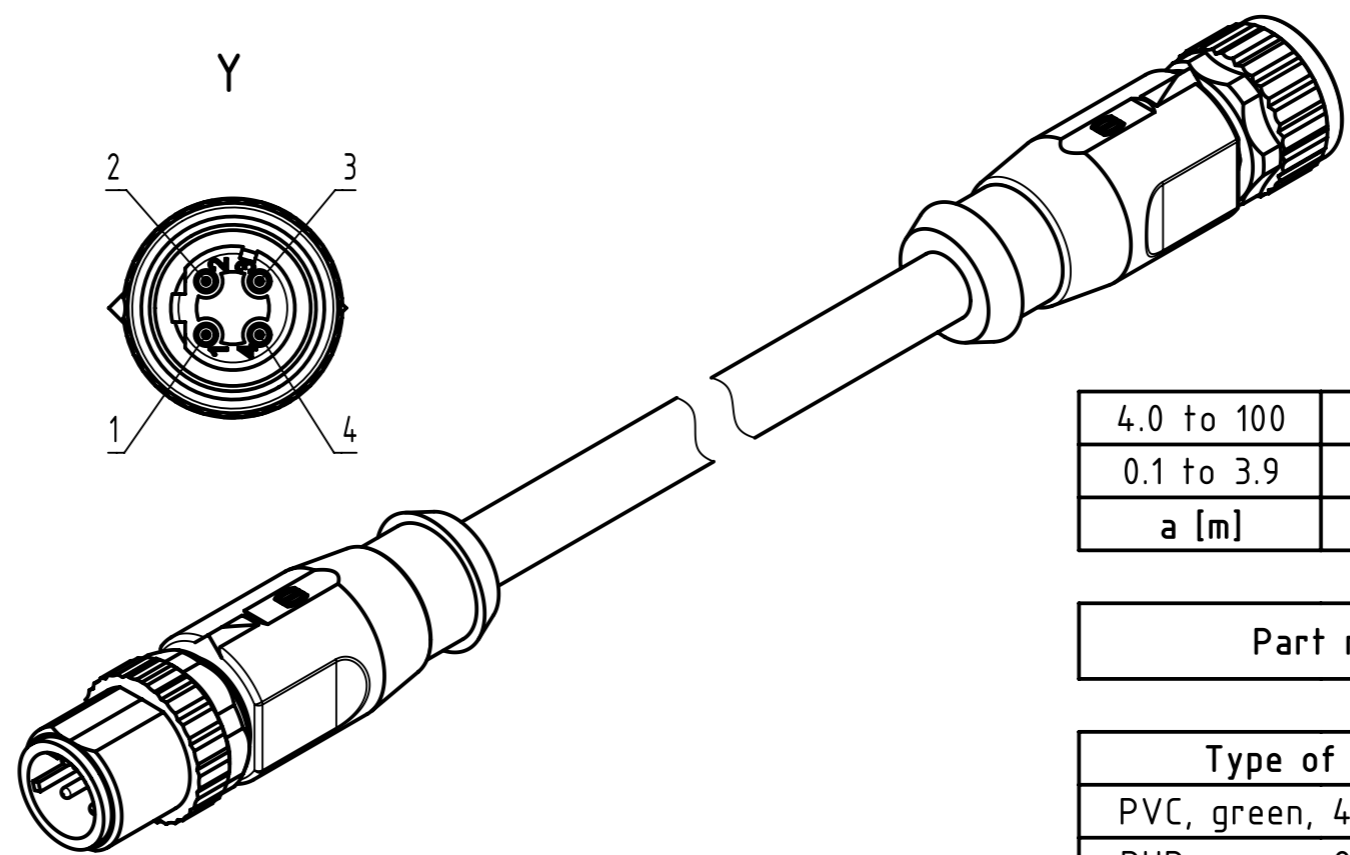
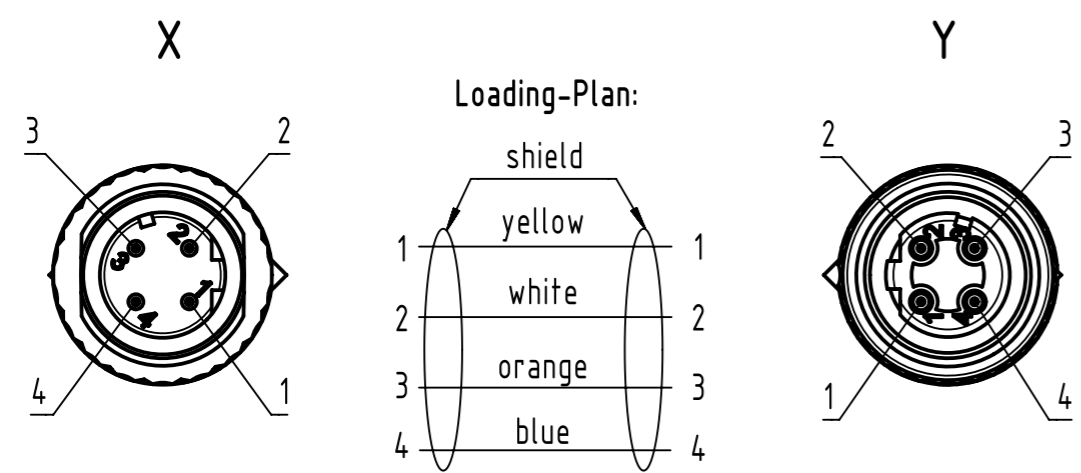


M12 D-coded 4 poles, straight overmolded male connector

M12 D-coded 4 poles, straight overmolded female connector



length in "1m" step	100	XXX=000
	99	XXX=990
	.	.
	12	XXX=120
length in "0.1m" step	11	XXX=110
	10	XXX=100
	9.9	XXX=099
	9.8	XXX=098
	.	.
	.	.
Step	0.4	XXX=004
	0.3	XXX=003
	0.2	XXX=002
	0.1	XXX=001
	a [m]	XXX

4.0 to 100	+1%
0.1 to 3.9	+0.04
a [m]	Tolerance

Part no.	213492934XXXXX
----------	----------------

Type of cable	XX
PVC, green, 4xAWG22/7	XX=05
PUR, green, 2x2xAWG22	XX=77

- Protection level: IP67  
 - Temperature range: -30°C ... +70°C

All rights reserved Department EC PD - RO HARTING Electronics GmbH D-32339 Espelkamp		All Dimensions in mm Original Size DIN A3 Scale 1:1 Free size tol.	Created by TOMUTA Inspected by AVRAM Standardisation HOFFMANN Date 2014-08-21 State Final Release	Ref. Sub. Doc-Key / ECM-Nr. 100588517/UGD/000/A 50000079044 Rev. A Page 1/1
Title M12 D-coded Cable Assembly Type TB Number 213492934XXXXX				

# Mouser Electronics

Authorized Distributor

Click to View Pricing, Inventory, Delivery & Lifecycle Information:

[HARTING:](#)

[21349293405010](#) [21349293405050](#) [21349293477010](#)