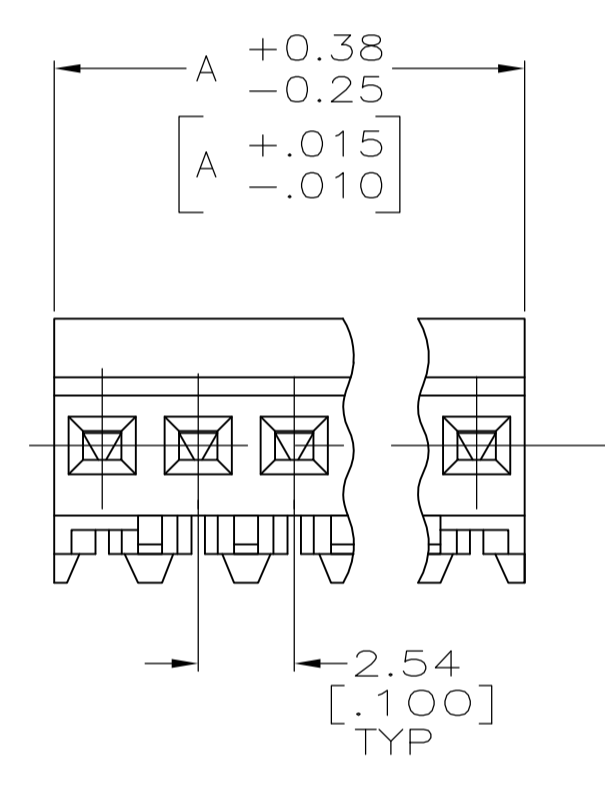
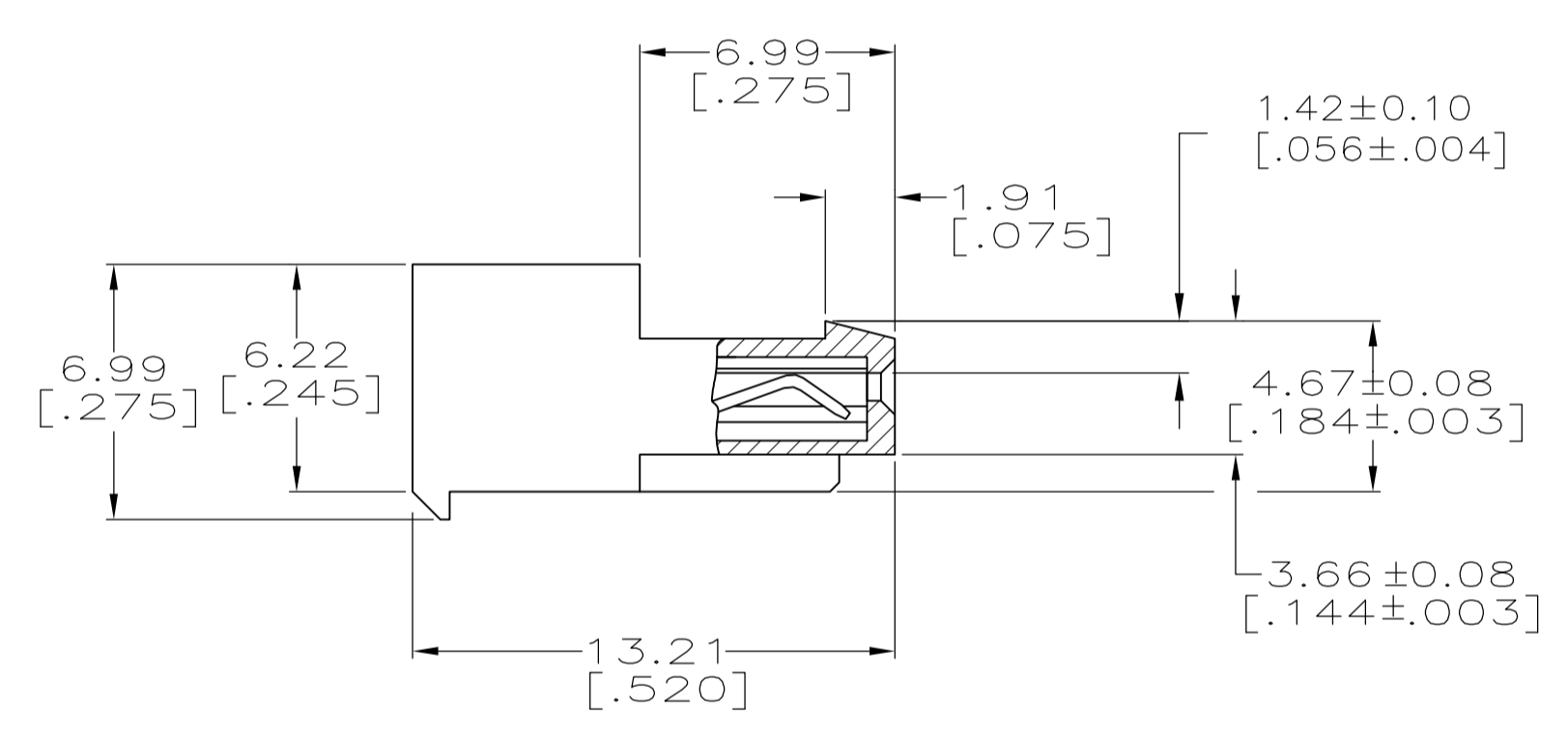
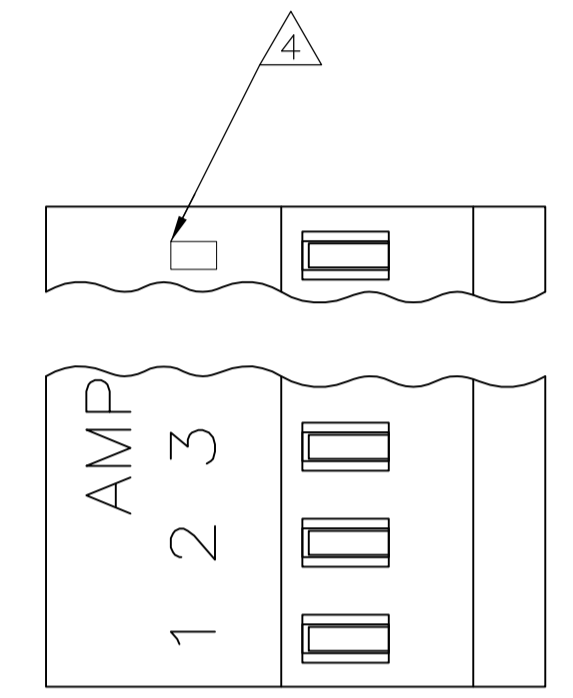


LOC		DIST		REVISIONS			
P	LTR	DESCRIPTION	DATE	DMN	APVO		
S		REVISED PER ECO-11-013373	15JUL11	HMR	SM		
T		ECR-13-008537	16SEP13	M.T	D.Z		



- 1 MATERIAL: CONNECTOR-NYLON UL94V-2 (WHITE). CONTACTS-0.30 [.012] THICK COPPER ALLOY 0.00038 [.000015] GOLD OR 0.00038 [.000015] TOTAL GOLD FLASH OVER PALLADIUM NICKEL, PER TE CONNECTIVITY'S DISCRETION, IN CONTACT AREA WITH MATTE TIN FOR 641191-2 THRU 2-641191-8, MATTE WHISKER MITIGATED TIN FOR 3-641191-2 THRU 5-641191-8 OVER NICKEL UNDERPLATE.
2. CONTACTS ACCEPT 24 AWG WIRE WITH 1.52 [.060] MAX INSULATION DIAMETER.
3. CONTACTS MUST ACCEPT 0.64±0.03 [.025±.001] SQUARE POST AND REMAIN LOCKED IN POSITION.
- 4 IDENTIFICATION NUMBER FOR LAST CIRCUIT MAY NOT APPEAR ON ALL ASSEMBLIES.
5. DIMENSIONS IN BRACKETS ARE IN INCHES.
6. HOUSING FEATURES ARE: CLOSED END WITH LOCKING RAMP.
- 7 OBSOLETE PARTS: OBSOLETE CIS STREAMLINING PER D.RENAUD/D.SINISI

71.12 [2.800]	28	5-641191-8
66.04 [2.600]	27	5-641191-7
63.50 [2.500]	26	5-641191-6
63.50 [2.500]	25	5-641191-5
60.96 [2.400]	24	5-641191-4
58.42 [2.300]	23	5-641191-3
55.88 [2.200]	22	5-641191-2
53.34 [2.100]	21	5-641191-1
50.80 [2.000]	20	5-641191-0
48.26 [1.900]	19	4-641191-9
45.72 [1.800]	18	4-641191-8
43.18 [1.700]	17	4-641191-7
40.64 [1.600]	16	4-641191-6
38.10 [1.500]	15	4-641191-5
35.56 [1.400]	14	4-641191-4
33.02 [1.300]	13	4-641191-3
30.48 [1.200]	12	4-641191-2
27.94 [1.100]	11	4-641191-1
25.40 [1.000]	10	4-641191-0
22.86 [.900]	9	3-641191-9
20.32 [.800]	8	3-641191-8
17.78 [.700]	7	3-641191-7
15.24 [.600]	6	3-641191-6
12.70 [.500]	5	3-641191-5
10.16 [.400]	4	3-641191-4
7.62 [.300]	3	3-641191-3
5.08 [.200]	2	3-641191-2
DIM A	NO.OF POSN	ASSEMBLY

- △ SUPERCEDED BY 5-641191-8
- △ SUPERCEDED BY 5-641191-7
- △ SUPERCEDED BY 5-641191-6
- △ SUPERCEDED BY 5-641191-5
- △ SUPERCEDED BY 5-641191-4
- △ SUPERCEDED BY 5-641191-3
- △ SUPERCEDED BY 5-641191-2
- △ SUPERCEDED BY 5-641191-1
- △ SUPERCEDED BY 5-641191-0
- △ SUPERCEDED BY 4-641191-9
- △ SUPERCEDED BY 4-641191-8
- △ SUPERCEDED BY 4-641191-7
- △ SUPERCEDED BY 4-641191-6
- △ SUPERCEDED BY 4-641191-5
- △ SUPERCEDED BY 4-641191-4
- △ SUPERCEDED BY 4-641191-3
- △ SUPERCEDED BY 4-641191-2
- △ SUPERCEDED BY 4-641191-1
- △ SUPERCEDED BY 3-641191-9
- △ SUPERCEDED BY 3-641191-7

71.12 [2.800]	28	2-641191-8
66.04 [2.600]	27	2-641191-7
63.50 [2.500]	26	2-641191-6
63.50 [2.500]	25	2-641191-5
60.96 [2.400]	24	2-641191-4
58.42 [2.300]	23	2-641191-3
55.88 [2.200]	22	2-641191-2
53.34 [2.100]	21	2-641191-1
50.80 [2.000]	20	2-641191-0
48.26 [1.900]	19	1-641191-9
45.72 [1.800]	18	1-641191-8
43.18 [1.700]	17	1-641191-7
40.64 [1.600]	16	1-641191-6
38.10 [1.500]	15	1-641191-5
35.56 [1.400]	14	1-641191-4
33.02 [1.300]	13	1-641191-3
30.48 [1.200]	12	1-641191-2
27.94 [1.100]	11	1-641191-1
25.40 [1.000]	10	1-641191-0
22.86 [.900]	9	—641191-9
20.32 [.800]	8	641191-8
17.78 [.700]	7	—641191-7
15.24 [.600]	6	641191-6
12.70 [.500]	5	641191-5
10.16 [.400]	4	641191-4
7.62 [.300]	3	641191-3
5.08 [.200]	2	641191-2
DIM A	NO.OF POSN	ASSEMBLY



THIS DRAWING IS A CONTROLLED DOCUMENT.

DMN: S. HOOVER 20-DEC-2004  
 CHK: D. ROSSI 20-DEC-2004  
 APVO: D. ROSSI 20-DEC-2004

TE Connectivity

NAME: MTA .100 CONNECTOR ASSEMBLY 24 AWG, STANDARD

PRODUCT SPEC: 108-1050

APPLICATION SPEC: 114-1019

SIZE: A1 CASE CODE: 00779 DRAWING NO: 641191

WEIGHT: 114-1019

CUSTOMER DRAWING SCALE: 5:1 SHEET 1 OF 1 REV T

# Mouser Electronics

Authorized Distributor

Click to View Pricing, Inventory, Delivery & Lifecycle Information:

[TE Connectivity:](#)

[3-641191-5](#)