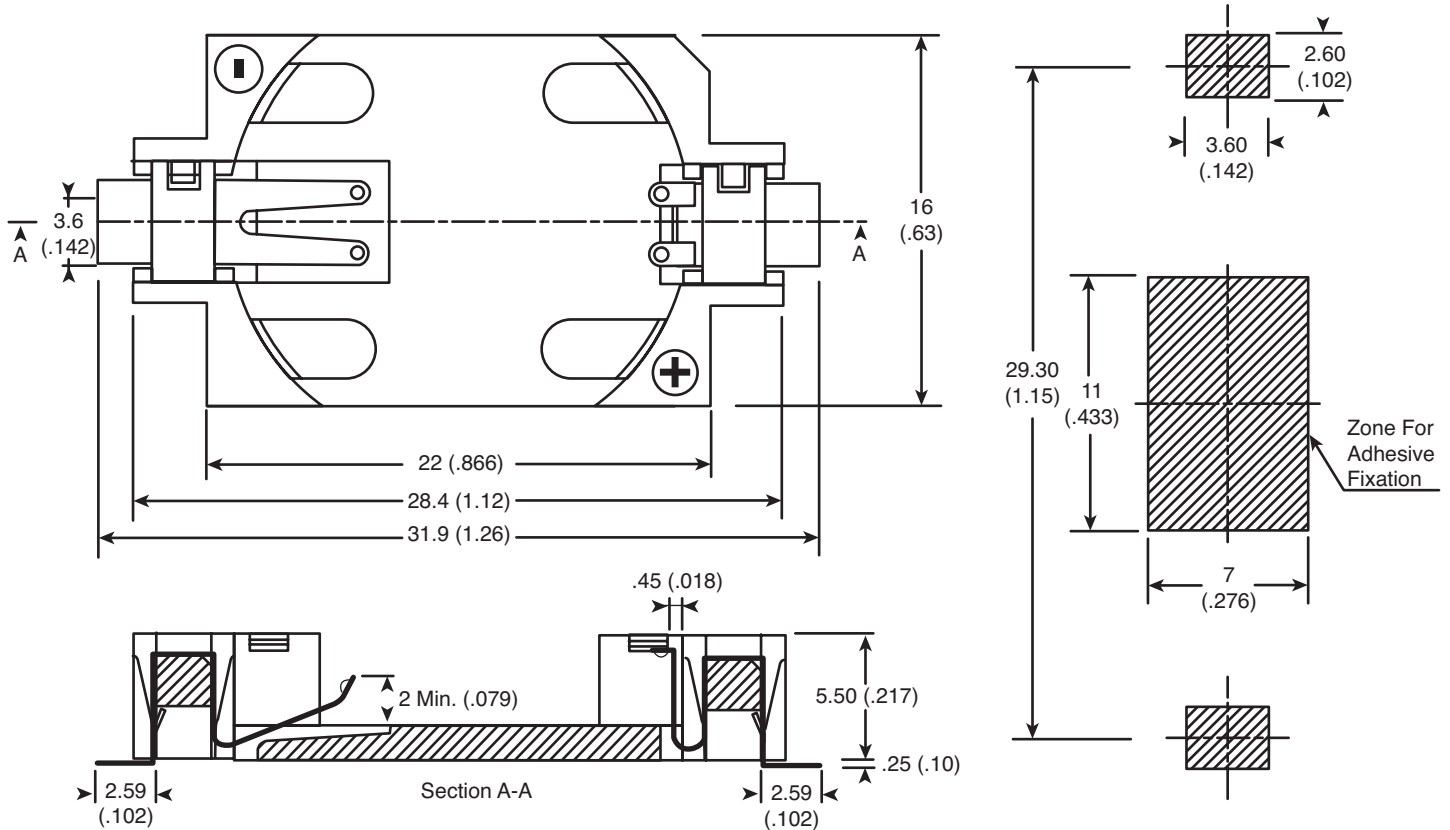


Date Last Revised: 4-4-12



Dimensions: mm (In.)

SPECIFICATIONS	
Material:	Housing: LCP 30%GF White Color Contacts: Phosphor Bronze C5191R-H
Plating:	Gold (1 μ min.) over Ni (5 μ min.) ; Lead Free
Reflow Temp:	260° C, Pure Tin
RoHS Compliant	

Mouser Electronics

Authorized Distributor

Click to View Pricing, Inventory, Delivery & Lifecycle Information:

[Eagle Plastic Devices:](#)

[122-2820-GR](#)