

TAC series(4-30A)

TAC -10 -683 -□

① ② ③ ④

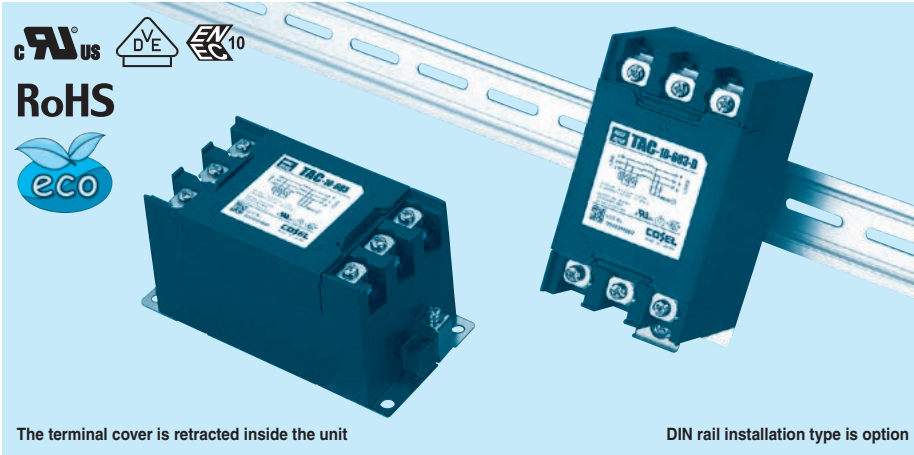
- ① Model Name
- ② Rated Current
- ③ Line to ground capacitor code: See table 1.1.

table 1.1 Line to ground capacitor code

Code	Leakage Current (Input 250/500V 60Hz)	Line to ground capacitor (nominal value)
103	0.5mA/1.0mA max	10000pF
223	1.0mA/2.0mA max	22000pF
683	2.5mA/5.0mA max	68000pF

- ④ Options
- D: DIN rail installation type

* The dimensions change when the option is set. Refer to External view.



Features of TAC series

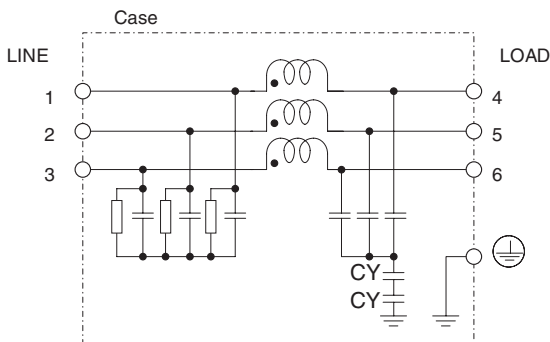
High-attenuation type of common mode noise from 150kHz to 1MHz (1-stage filter)

- Three phase rated voltage 500 VAC (voltage range: 528V max)
- Selectable leakage current value
- Push down type terminal block

Specifications

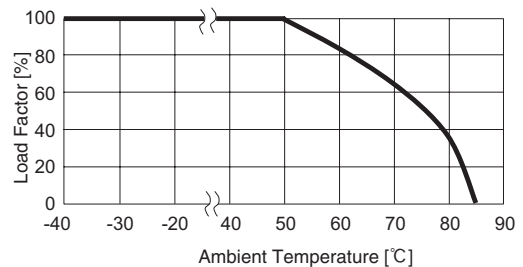
No.	Items	TAC-04-683	TAC-06-683	TAC-10-683	TAC-20-683	TAC-30-683
1	Rated Voltage[V]	AC Three Phase 500 (voltage range: 528 max) 50/60Hz				
2	Rated Current[A]	4	6	10	20	30
3	Test Voltage (Terminal-Mounting Plate)	2,000 VAC (Cutoff Current = 100mA), 1minute at room temperature and humidity				
4	Isolation Resistance (Terminal-Mounting Plate)	500 VDC 100MΩ min at room temperature and humidity				
5	Leakage current 250/500V 60Hz	2.5mA/5.0mA max				
6	Voltage drop	1.5V max			1.0V max	
7	Safety agency approval temperatures	-25 to +85°C (Refer to Derating Curve)				
8	Operating temperature	-40 to +85°C (Refer to Derating Curve)				
9	Operating humidity	20 to 95%RH (Non condensing)				
10	Storage temperature/humidity	-40 to +85°C/20 to 95%RH (Non condensing)				
11	Vibration	10 to 55Hz, 19.6m/s ² (2G), 3min. Period, 1hour each X, Y and Z axis				
12	Impact	196.1m/s ² (20G), 11ms Once each X, Y and Z axis				
13	Safety agency approvals	UL1283, CSA C22.2 No.8 (C-UL), DIN EN60939 VDE0565 Teil3-1, ENEC				
14	Case size (without projection) /Weight	63 X 64 X 128 mm [2.48 X 2.52 X 5.04 inches] (W X H X D) /620g max (Option : -D refer to external view)				

Circuit Diagram



CY : Line to ground capacitor ⊥ : Mounting Plate

Derating Curve

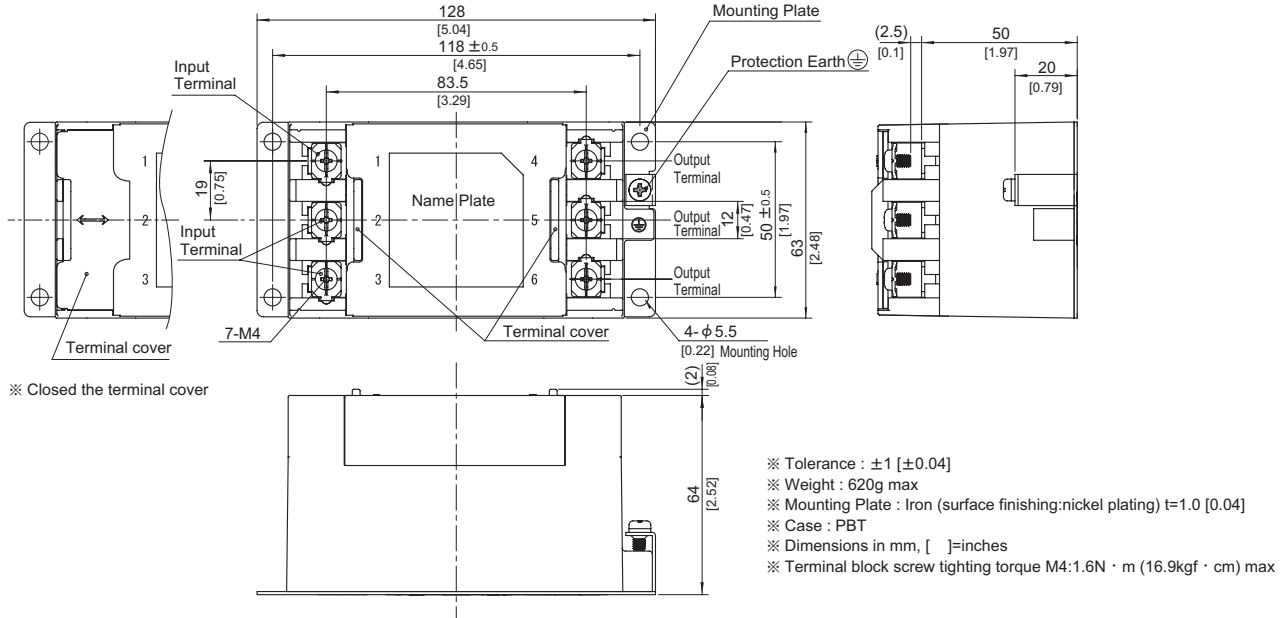


External view

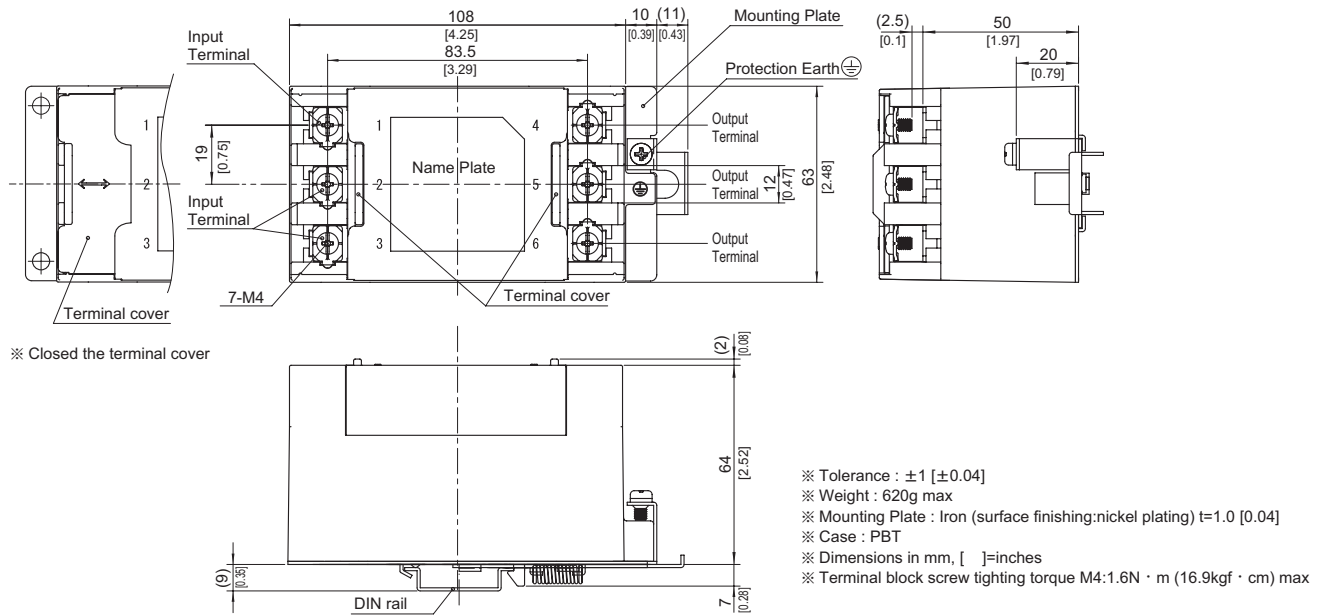
As this product is adopted push-down type terminal block, this appearance is as follows.

- ① The terminal cover is retracted inside the unit.
- ② The screws for connecting the terminals are held in the up right position.

Standard Type



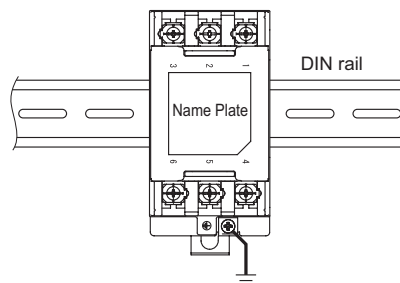
DIN rail installation Type



■Note when installing the EMI/EMC Filter on a DIN rail.

When the EMI/EMC Filter is grounded through the DIN rail, the proper noise attenuation may not be achieved.

Be sure to connect the protection earth (PE) of the EMI/EMC Filter body to the earth.



Mouser Electronics

Authorized Distributor

Click to View Pricing, Inventory, Delivery & Lifecycle Information:

Cosel:

[TAC-04-683](#) [TAC-04-683-D](#) [TAC-06-683](#) [TAC-30-683-D](#) [TAC-06-683-D](#) [TAC-10-683](#) [TAC-10-683-D](#) [TAC-20-683](#)
[TAC-20-683-D](#) [TAC-30-683](#)