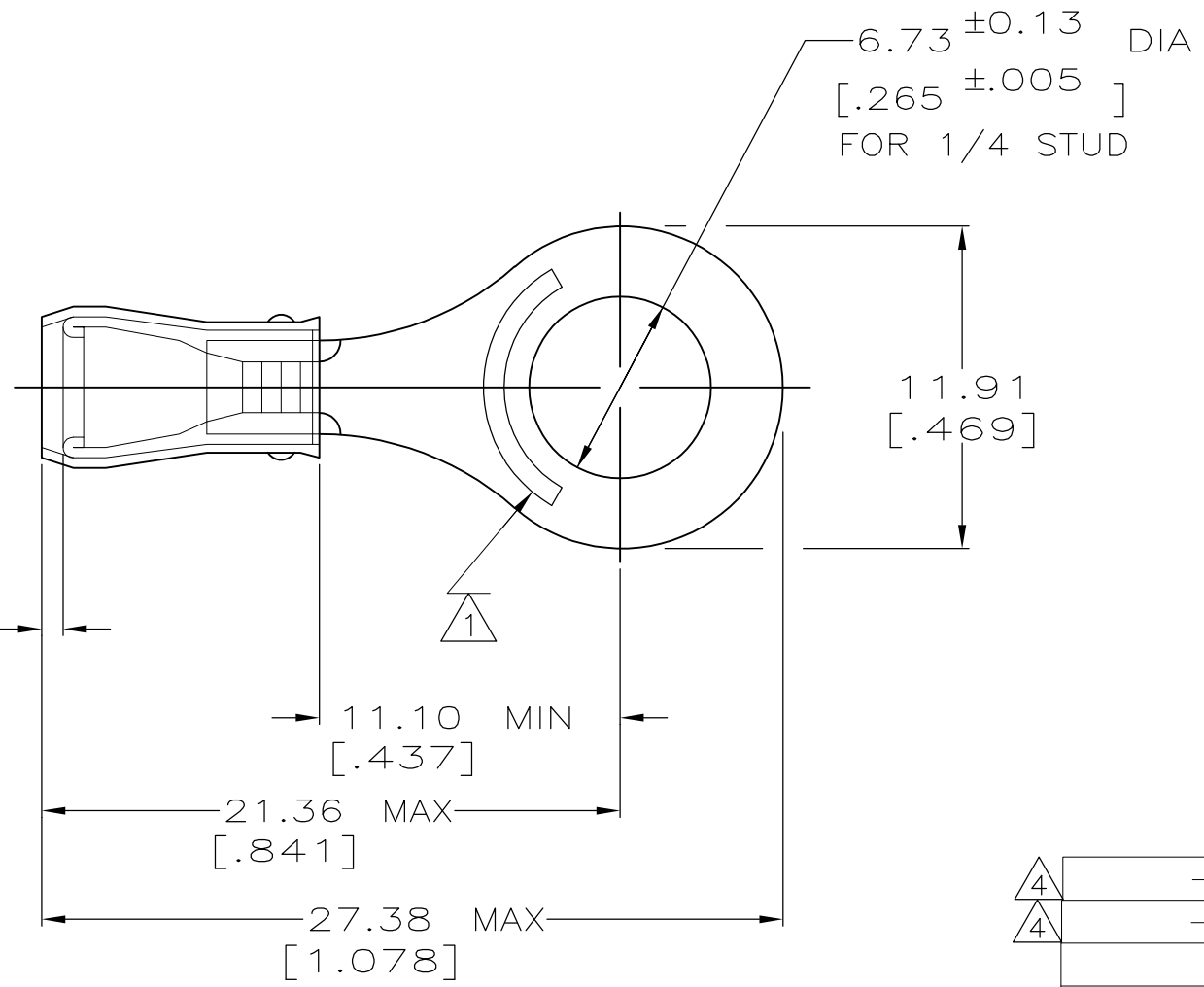


LOC	DIST	REVISIONS					
G	14	P	LTR	DESCRIPTION	DATE	DWN	APVD
			V1	REVISED PER ECO-11-004587	11MAR11	RK	HMR

AMP WIRE RANGE	Listed	LR7189 Certified
22-16 AWG SOLID OR STRANDED	22-16 AWG SOLID OR STRANDED	22-16 AWG SOLID OR STRANDED



- ① STAMP AMP 22-18* APPROX AS SHOWN
22-16 TERMINALS ARE STAMPED 22-18 IN
ACCORDANCE WITH MILITARY SPEC MIL-T-7928
COMMERCIAL WIRE RANGE IS 22-16
- 2 WIRE INSUL DIA, 2.67-3.56 [.105-.140]
- 3 TONGUE MATERIAL THK, 0.79±0.05 [.031±.002]
- ④ SUPERSEDED BY 8-31894-5

④	-	25	LOOSE PIECE, BLS	9-31894-4
④	-	5	LOOSE PIECE, BLS	8-31894-4
-	-	100	LOOSE PIECE, SPECIAL BOX	8-31894-5
-	-	100	LOOSE PIECE, BOX	8-31894-1
-	MS 25036-150 CLASS 2	5000	ON TAPE, REEL	2-31894-2
-	MS 25036-150 CLASS 1 & 2	1000	LOOSE PIECE	31894
MILITARY P/N AND CLASS		QUANTITY	PACKAGE TYPE	PART NO

AMP INCORPORATED CUSTOMER SERVICE SYSTEMS		MAX RECOMMENDED OPERATING TEMPERATURE: 105° C [221° F]	THIS DRAWING IS A CONTROLLED DOCUMENT.		DWN DK SCHRUM 02/11/93	TE Connectivity				
PRODUCT INFORMATION OR AND TECHNICAL DOCUMENTS	PRODUCT INFORMATION CENTER 1-800-522-6752	VOLTAGE RATING: 300 V MAX	DIMENSIONS: MM [INCHES]	TOLERANCES UNLESS OTHERWISE SPECIFIED:	CHK RE HERSEY 4/28/93	NAME				
FOR APPLICATION TOOLING INFORMATION	TOOLING ASSISTANCE CENTER 1-800-722-1111	WIRE CROSS SECTIONAL AREA RANGE: 0.26-1.65mm ² [509-3,260] CIR MILS		0 PLC ± - 1 PLC ± - 2 PLC ± 0.20[.008] 3 PLC ± - 4 PLC ± - ANGLES ± -	APVD ML ELLIS 4/28/93	TERMINAL, RING TONGUE, PIDG™, WIRE SIZE: 22-16 AWG				
FOR ORDER ENTRY	1-800-526-5142	THIS DRAWING IS A CONTROLLED DOCUMENT FOR AMP INCORPORATED. IT IS SUBJECT TO CHANGE AND THE CONTROLLING ENGINEERING ORGANIZATION SHOULD BE CONTACTED FOR THE LATEST REVISION.	MATERIAL COPPER PER ASTM B-152 SLEEV, RED, NYLON	FINISH TIN PLATE PER ASTM B 545	PRODUCT SPEC UL 486A	APPLICATION SPEC NOT AVAILABLE	RESTRICTED TO			
			CUSTOMER DRAWING		WEIGHT -	SIZE A3	CAGE CODE 00779	DRAWING NO C-31894	SHEET 1 OF 1	REV V1

Mouser Electronics

Authorized Distributor

Click to View Pricing, Inventory, Delivery & Lifecycle Information:

[TE Connectivity:](#)

[8-31894-1](#)