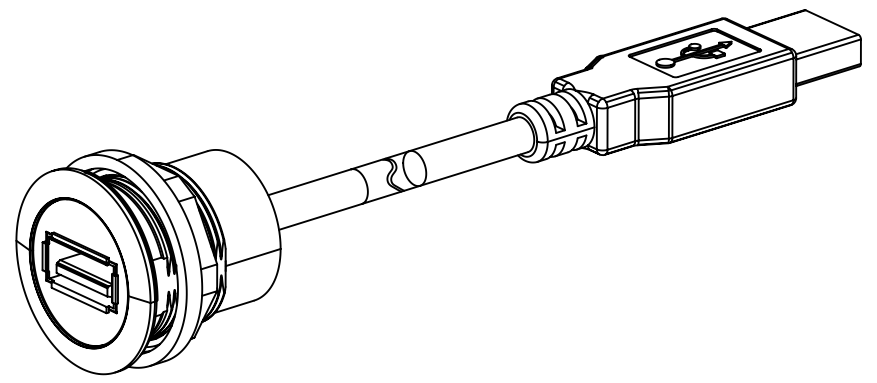


Length A	Part number
0,4m	09 45 452 1928
0,15m	09 45 452 1927
0,5m	09 45 452 1920
1,0m	09 45 452 1921
1,5m	09 45 452 1922
2,0m	09 45 452 1923
3,0m	09 45 452 1924
4,0m	09 45 452 1926
5,0m	09 45 452 1925



	All rights reserved Department EC PD - FR	All Dimensions in mm Original Size DIN A4		Scale 1:1	Free size tol.	Ref.
		Created by DOUGE	Inspected by BAGDIKIAN	Standardisation HOFFMANN	Date 2014-03-28	State Final Release
HARTING Electronics GmbH D-32339 Espelkamp		Title <b>har-port USB 2.0 A_A</b>				Doc-Key / ECM-Nr. 100205257/UGD/002/C 500000073303
		Type <b>TB</b>	Number <b>0945452192X</b>		Rev. <b>C</b>	Page 1/1

# Mouser Electronics

Authorized Distributor

Click to View Pricing, Inventory, Delivery & Lifecycle Information:

[HARTING:](#)

[09454521920](#) [09454521921](#) [09454521923](#)