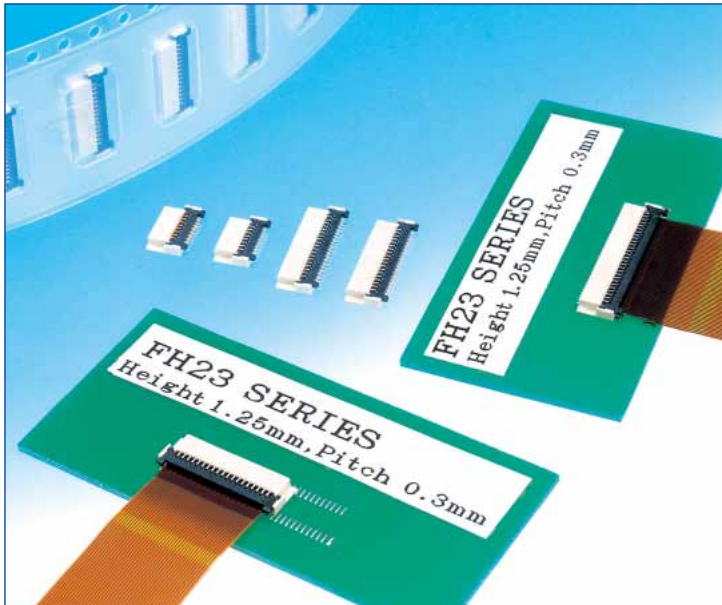
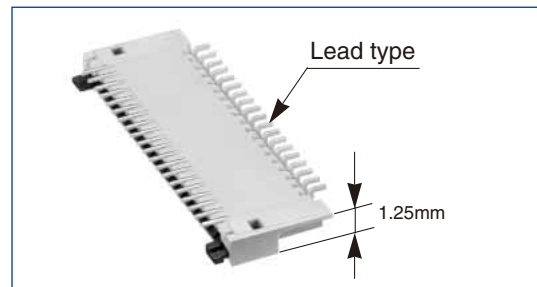
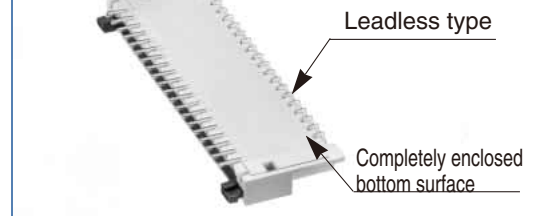


0.3mm Contact Pitch, 1.25mm above the board, Flexible Printed Circuit Connectors

FH 23 Series



● Staggered termination configuration. Only 1.25 mm above the board.



Features

1. FPC low insertion force and high holding force

Hirose Electric's unique low insertion force (LIF) design (patents pending) improves the Flexible Printed Circuit (FPC) holding force after insertion.

2. Temporary hold of FPC

There is no need to hold the FPC after insertion in the connector. The connector will hold it in correct position, allowing closing of the actuator.

3. Easy board mounting

The surface mounted termination of the contacts is staggered on 0.6 mm centers, positioned on front and back of the connector.

Bottom of the connector is completely insulated, allowing conductive traces on PCB to run under the connector.

4. Proven Flip-lock Actuator assures easy and reliable operation

Rotating actuator permits easy insertion and reliable connection with the FPC. Tactile sensation confirms complete mechanical locking of the actuator and the electrical connection.

5. Variations to suit different mounting areas

Available with lead and leadless type of terminations (for opposing FPC insertion side).

6. Designed for placement with automatic equipment

Flat top surface allows pick-up with vacuum nozzles.

Packaged in embossed tape, on reel. One reel contains 2,500 pieces.

7. Accepts 0.2mm thick FPC

8. Variety of contact positions

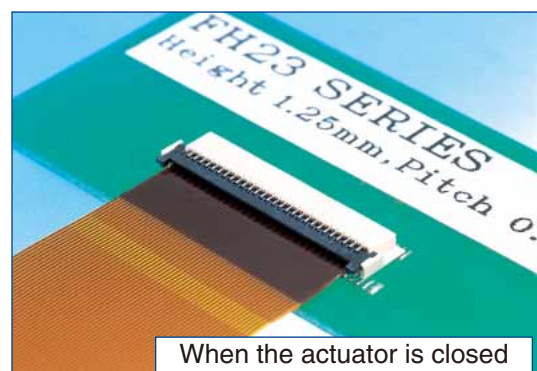
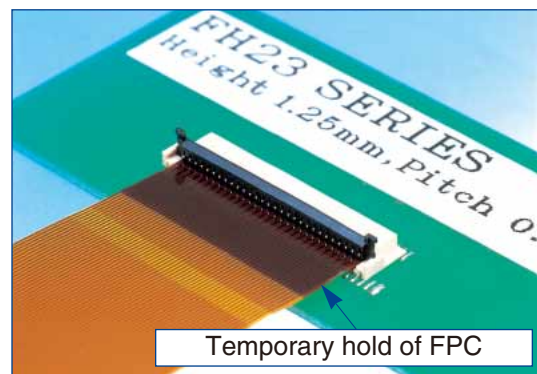
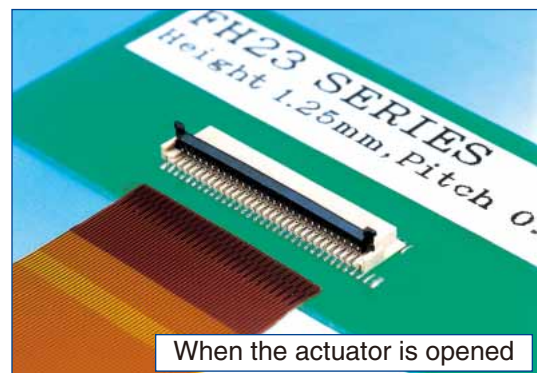
Available with 15, 17, 21, 23, 25, 27, 31, 33, 37, 39, 45, 51, 61 and 71 pos.

9. Halogen Free

The connector does not use chlorine and bromine exceeding standard limits.

*Defined in accordance with IEC61249-2-21

Br 900ppm or lower, Cl 900ppm or lower, Br + Cl 1,500ppm or lower



Product Specifications

Ratings	Current rating	0.3A	Operating temperature range -55 °C to +85°C (Note 1)	Storage temperature range -10°C to +50°C (Note 2)
	Voltage rating	30V AC	Operating humidity range Relative humidity 90% max. (No condensation)	Storage humidity range Relative humidity 90% max. (No condensation)

Recommended FPC	Thickness: = 0.2±0.03mm Gold plated
-----------------	-------------------------------------

Item	Specification	Conditions
1. Insulation resistance	50 M ohms min.	100 V DC
2. Withstanding voltage	No flashover or insulation breakdown	90 V AC/one minute
3. Contact resistance	100 m ohms max. *Including FPC/FFC conductor resistance	1 mA AC
4. Durability (insertion / withdrawal)	Contact resistance: 100 m ohms max. No damage, cracks, or parts dislocation.	10 cycles
5. Vibration	No electrical discontinuity of 1 μs or more. Contact resistance: 100 m ohms max. No damage, cracks, or parts dislocation.	Frequency: 10 to 55 Hz, single amplitude of 0.75 mm, 10 cycles, 3 axis.
6. Shock	No electrical discontinuity of 1 μs or more. Contact resistance: 100 m ohms max. No damage, cracks, or parts dislocation.	Acceleration of 981 m/s ² , 6ms duration, sine half-wave waveform, 3 cycles, 3 axis.
7. Humidity (Steady state)	Contact resistance: 100 m ohms max. Insulation resistance: 50 M ohms min. No damage, cracks, or parts dislocation.	96 hours at 40°C and humidity of 90% to 95%
8. Temperature cycle	Contact resistance: 100 m ohms max. Insulation resistance: 50 M ohms min. No damage, cracks, or parts dislocation.	Temperature:-55°C→+15°C to +35°C→+85°C→+15°C to +35°C Time: 30→ 2 to 3 → 30 → 2 to 3 (Minutes) 5 cycles
9. Resistance to soldering heat	No deformation of components affecting performance.	Reflow: At the recommended temperature profile Manual soldering: 350 °C±5 °C for 5 seconds

Note 1: Includes temperature rise caused by current flow.

Note 2: The term "storage" refers to products stored for long period of time prior to mounting and use. Operating Temperature Range and Humidity range covers non-conducting condition of installed connectors in storage, shipment or during transportation.

Materials

Part	Material	Finish	Remarks
Insulator	LCP	Color: Beige	UL94V-0
Actuator	LCP	Color: Black	
Contacts	Phosphor bronze	Gold plated	_____

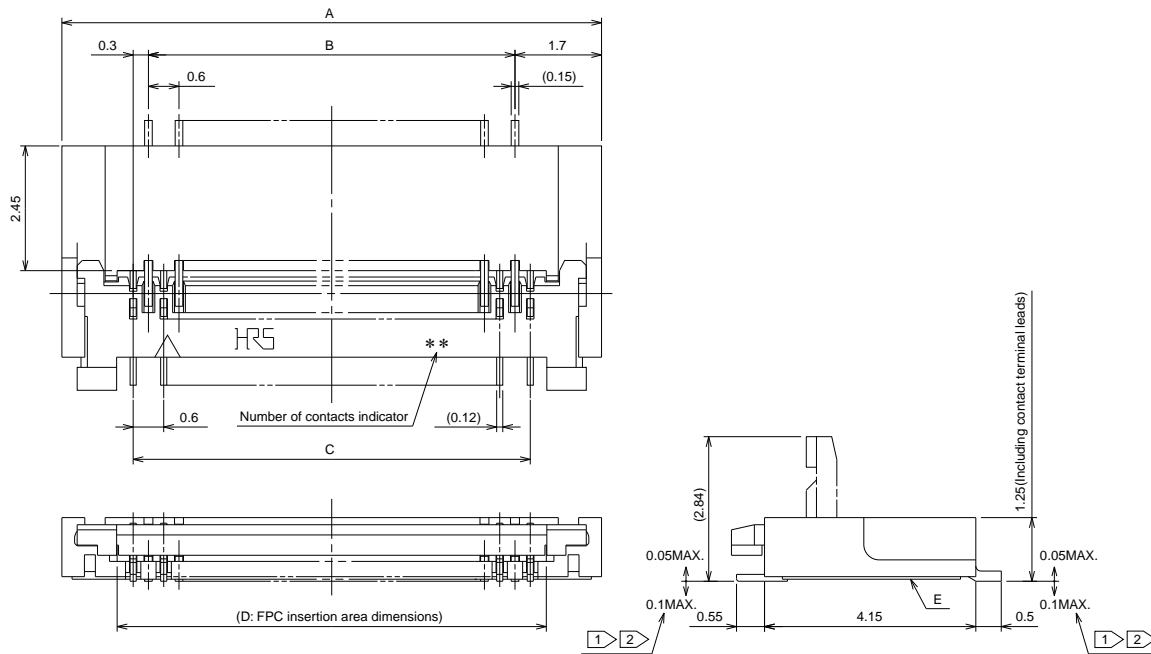
Ordering information

FH 23 - 39S - 0.3 SHW (05)

① ② ③ ④ ⑤ ⑥

① Series name : FH	⑥ Plating specifications : (05) : Gold plated (All contact positions except 51 contacts) (06) : Gold plated (51 contacts)
② Series No : 23	
③ Number of contacts : 15 to 71	
④ Contact pitch: 0.3mm	
⑤ Terminal type SHW: SMT horizontal mounting type, lead type termination. SHAW: SMT horizontal mounting type, lead-less type termination.	

Connector Dimensions (Lead Type termination)



- Notes
- 1 The coplanarity of each terminal lead is within 0.1.
 - 2 The contact terminal lead position indicates the dimension from the E surface, the bottom surface of the insulator body.
 - 3 Any discoloration of the plastic compound will NOT AFFECT form, fit or function of the connector.
 - 4 Packaged on tape and reel only. Check packaging specification.

Lead Type

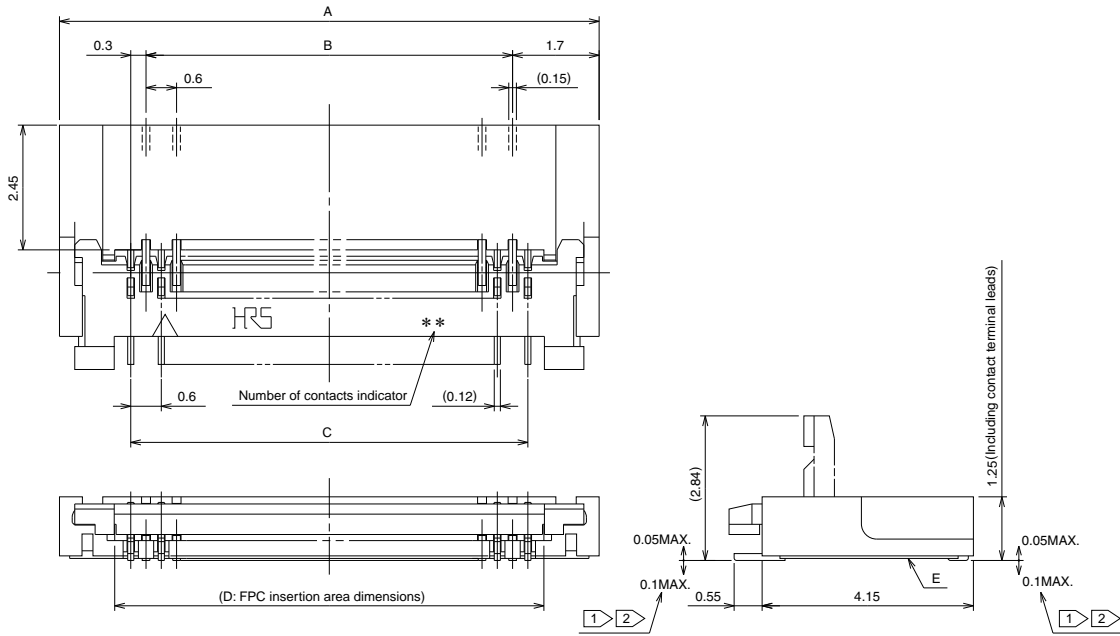
Unit: mm

Part Number	CL No.	Number of Contacts	A	B	C	D
FH23-15S-0.3SHW(05)	586-1317-0-05	15	7	3.6	4.2	4.83
FH23-17S-0.3SHW(05)	586-1300-7-05	17	7.6	4.2	4.8	5.43
FH23-21S-0.3SHW(05)	586-1314-1-05	21	8.8	5.4	6	6.63
FH23-23S-0.3SHW(05)	586-1324-5-05	23	9.4	6	6.6	7.23
FH23-25S-0.3SHW(05)	586-1322-0-05	25	10	6.6	7.2	7.83
FH23-27S-0.3SHW(05)	586-1308-9-05	27	10.6	7.2	7.8	8.43
FH23-31S-0.3SHW(05)	586-1302-2-05	31	11.8	8.4	9	9.63
FH23-33S-0.3SHW(05)	586-1304-8-05	33	12.4	9	9.6	10.23
FH23-37S-0.3SHW(05)	586-1335-1-05	37	13.6	10.2	10.8	11.43
FH23-39S-0.3SHW(05)	586-1306-3-05	39	14.2	10.8	11.4	12.03
FH23-45S-0.3SHW(05)	586-1318-2-05	45	16	12.6	13.2	13.83
FH23-51S-0.3SHW(06)	586-1312-6-06	51	17.8	14.4	15	15.63
FH23-61S-0.3SHW(05)	586-1310-0-05	61	20.8	17.4	18	18.63
FH23-71S-0.3SHW(05)	586-1320-4-05	71	23.8	20.4	21	21.63

Note1: Embossed tape reel packaging(2,500 pieces/reel)
Order by number of reels.

Note2: The specification of (06) is applied to number of 51.
Refer to ordering information.

Connector Dimensions Diagram (Leadless Type termination)



- Notes
- ① The coplanarity of each terminal lead is within 0.1.
 - ② The contact terminal lead position indicates the dimension from the E surface, the bottom surface of the insulator body.
 - 3 Any discoloration of the plastic compound will NOT AFFECT form, fit or function of the connector.
 - 4 Packaged on tape and reel only. Check packaging specification.

Leadless Type

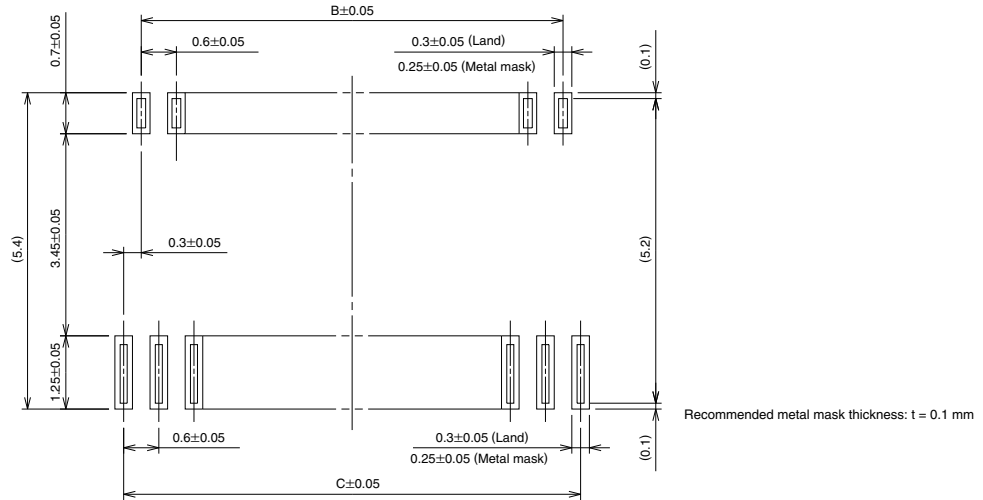
Unit: mm

Part Number	CL No.	Number of Contacts	A	B	C	D
FH23-15S-0.3SHAW(05)	586-1316-7-05	15	7	3.6	4.2	4.83
FH23-17S-0.3SHAW(05)	586-1301-0-05	17	7.6	4.2	4.8	5.43
FH23-21S-0.3SHAW(05)	586-1315-4-05	21	8.8	5.4	6	6.63
FH23-23S-0.3SHAW(05)	586-1325-8-05	23	9.4	6	6.6	7.23
FH23-25S-0.3SHAW(05)	586-1323-2-05	25	10	6.6	7.2	7.83
FH23-27S-0.3SHAW(05)	586-1309-1-05	27	10.6	7.2	7.8	8.43
FH23-31S-0.3SHAW(05)	586-1303-5-05	31	11.8	8.4	9	9.63
FH23-33S-0.3SHAW(05)	586-1305-0-05	33	12.4	9	9.6	10.23
FH23-39S-0.3SHAW(05)	586-1307-6-05	39	14.2	10.8	11.4	12.03
FH23-45S-0.3SHAW(05)	586-1319-5-05	45	16	12.6	13.2	13.83
FH23-51S-0.3SHAW(06)	586-1313-9-06	51	17.8	14.4	15	15.63
FH23-61S-0.3SHAW(05)	586-1311-3-05	61	20.8	17.4	18	18.63
FH23-71S-0.3SHAW(05)	586-1321-7-05	71	23.8	20.4	21	21.63

Note1: Embossed tape reel packaging(2,500 pieces/reel)
Order by number of reels.

Note2: The specification of (06) is applied to number of 51.
Refer to ordering information.

Recommended PCB Land and Metal Mask Dimensions (Lead Type)



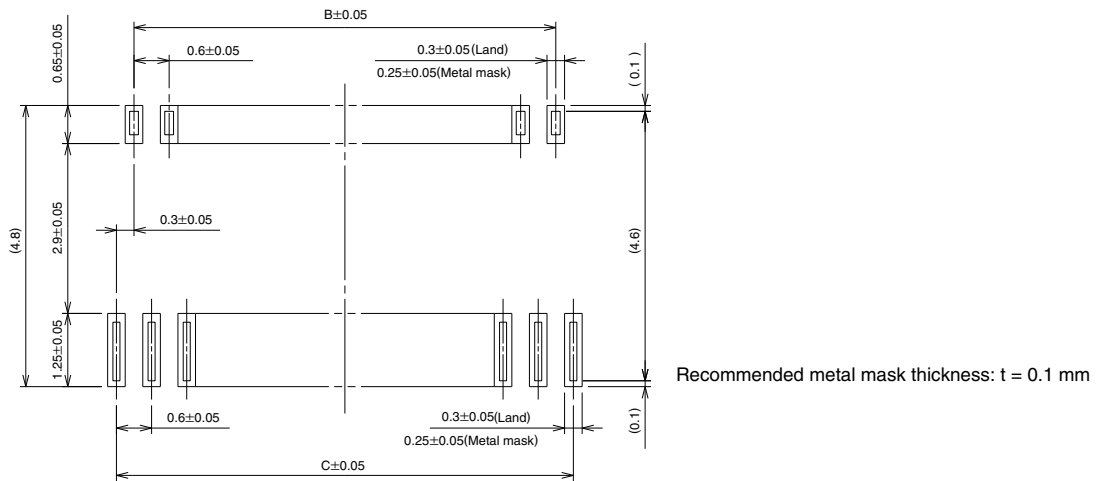
Lead Type

Unit: mm

Part Number	CL No.	Number of Contacts	B	C	G
FH23-15S-0.3SHW(05)	586-1317-0-05	15	3.6	4.2	4.8
FH23-17S-0.3SHW(05)	586-1300-7-05	17	4.2	4.8	5.4
FH23-21S-0.3SHW(05)	586-1314-1-05	21	5.4	6	6.6
FH23-23S-0.3SHW(05)	586-1324-5-05	23	6	6.6	7.2
FH23-25S-0.3SHW(05)	586-1322-0-05	25	6.6	7.2	7.8
FH23-27S-0.3SHW(05)	586-1308-9-05	27	7.2	7.8	8.4
FH23-31S-0.3SHW(05)	586-1302-2-05	31	8.4	9	9.6

Part Number	CL No.	Number of Contacts	B	C	G
FH23-33S-0.3SHW(05)	586-1304-8-05	33	9	9.6	10.2
FH23-37S-0.3SHW(05)	586-1335-1-05	37	10.2	10.8	11.4
FH23-39S-0.3SHW(05)	586-1306-3-05	39	10.8	11.4	12
FH23-45S-0.3SHW(05)	586-1318-2-05	45	12.6	13.2	13.8
FH23-51S-0.3SHW(06)	586-1312-6-06	51	14.4	15	15.6
FH23-61S-0.3SHW(05)	586-1310-0-05	61	17.4	18	18.6
FH23-71S-0.3SHW(05)	586-1320-4-05	71	20.4	21	21.6

Recommended Land and Metal Mask Dimensions (Leadless Type)



Leadless Type

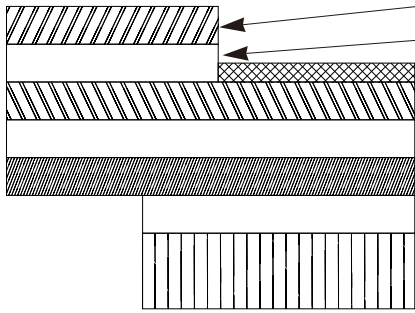
Unit: mm

Part Number	CL No.	Number of Contacts	B	C	G
FH23-15S-0.3SHAW(05)	586-1316-7-05	15	3.6	4.2	4.8
FH23-17S-0.3SHAW(05)	586-1301-0-05	17	4.2	4.8	5.4
FH23-21S-0.3SHAW(05)	586-1315-4-05	21	5.4	6	6.6
FH23-23S-0.3SHAW(05)	586-1325-8-05	23	6	6.6	7.2
FH23-25S-0.3SHAW(05)	586-1323-2-05	25	6.6	7.2	7.8
FH23-27S-0.3SHAW(05)	586-1309-1-05	27	7.2	7.8	8.4
FH23-31S-0.3SHAW(05)	586-1303-5-05	31	8.4	9	9.6

Part Number	CL No.	Number of Contacts	B	C	G
FH23-33S-0.3SHAW(05)	586-1305-0-05	33	9	9.6	10.2
FH23-39S-0.3SHAW(05)	586-1307-6-05	39	10.8	11.4	12
FH23-45S-0.3SHAW(05)	586-1319-5-05	45	12.6	13.2	13.8
FH23-51S-0.3SHAW(06)	586-1313-9-06	51	14.4	15	15.6
FH23-61S-0.3SHAW(05)	586-1311-3-05	61	17.4	18	18.6
FH23-71S-0.3SHAW(05)	586-1321-7-05	71	20.4	21	21.6

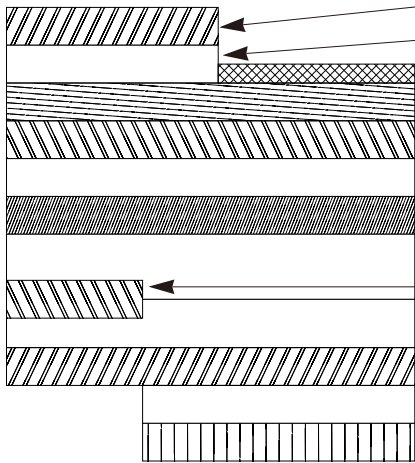
FH23 Series FPC Construction (Recommended Specifications)

1. Using Single-sided FPC



Material Name	Material	Thickness (μm)
Covering film layer.	Polyimide 1 mil thick.	(25)
Cover adhesive		(25)
Surface treatment	Nickel under plated 1 to 5μm / Gold plated 0.2μm	3
Copper foil	Cu 1oz	35
Base adhesive	Heat-hardened adhesive	25
Base film	Polyimide 1 mil thick	25
Reinforcement material adhesive	Heat-hardened adhesive	30
Stiffener	Polyimide 3 mil thick	75
Total		193

2. Using Double-sided FPC



Material Name	Material	Thickness (μm)
Covering layer film	Polyimide 1 mil thick	(25)
Cover adhesive		(25)
Surface treatment	Nickel under plated 1 to 5μm / Gold plated 0.2μm	3
Through-hole copper	Cu	15
Copper foil	Cu 1/2oz	18
Base adhesive	Heat-hardened adhesive	18
Base film	Polyimide 1 mil thick	25
Base adhesive	Heat-hardened adhesive	18
Copper foil	Cu 1/2oz	(18)
Cover adhesive	Heat-hardened adhesive	25
Covering layer film	Polyimide 1 mil thick	25
Reinforcement material adhesive	Heat-hardened adhesive	25
Stiffener	Polyimide 1 mil thick	25
Total		197

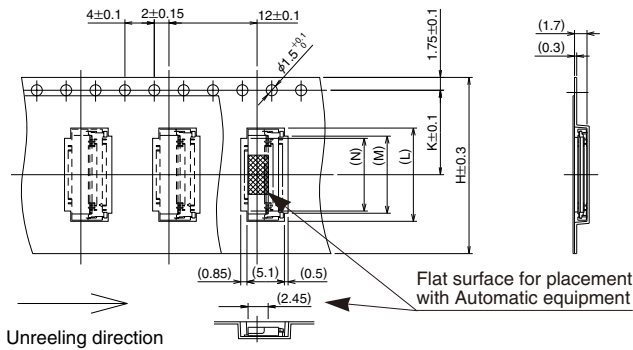
Note : Recommended specification for FPC 0.2±0.03 mm thick.

3. Precautions

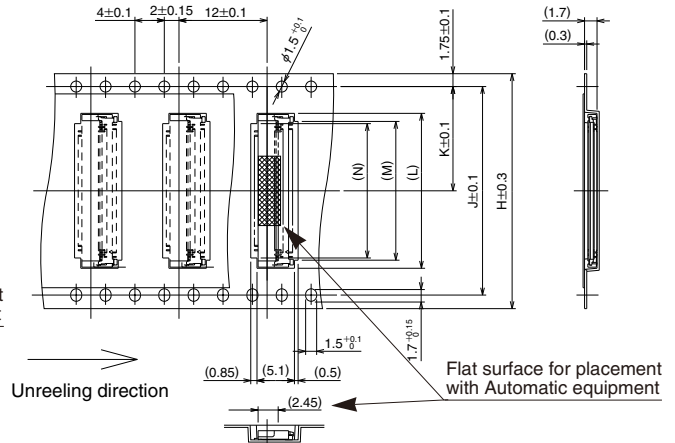
1. This specification is a recommendation for the construction of the FH23 Series FPC (t=0.2±0.03).
2. For details about the construction, please contact the FPC manufacturers.

■ Packaging Specification

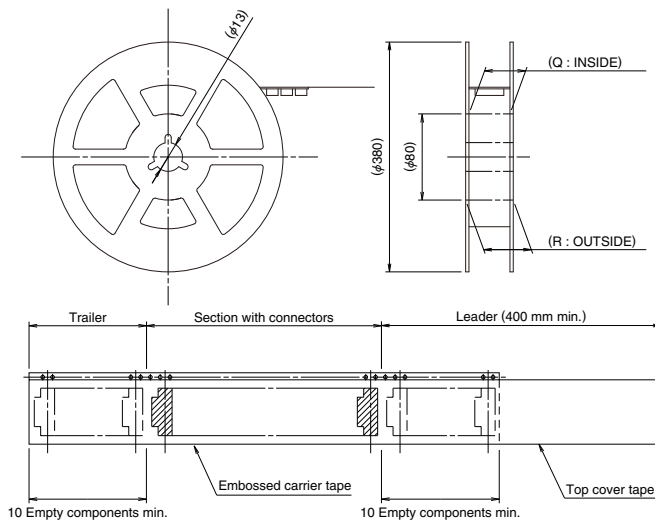
● Embossed Carrier Tape Dimensions (Tape width of 24 mm max.)



● Embossed Carrier Tape Dimensions (Tape width of 32 mm min.)



● Reel Dimensions

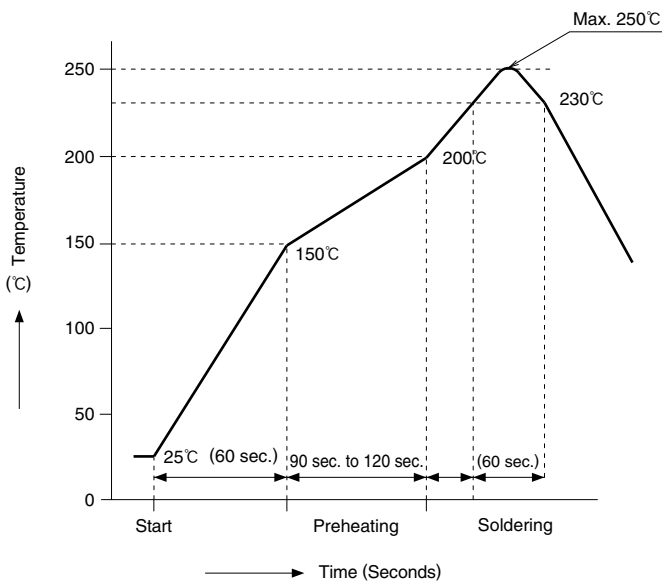


Unit: mm

Part Number	CL No.	Number of Contacts	H	J	K	L	M	N	Q	R
FH23-15S-0.3SHW(05)	586-1317-0-05	15	16	—	7.5	7.3	5.1	4.5	17.4	21.4
FH23-17S-0.3SHW(05)	586-1300-7-05	17	16	—	7.5	7.9	5.7	5.1	17.4	21.4
FH23-21S-0.3SHW(05)	586-1314-1-05	21	16	—	7.5	9.1	6.9	6.3	17.4	21.4
FH23-23S-0.3SHW(05)	586-1324-5-05	23	24	—	11.5	9.7	7.5	6.9	25.4	29.4
FH23-25S-0.3SHW(05)	586-1322-0-05	25	24	—	11.5	10.3	8.1	7.5	25.4	29.4
FH23-27S-0.3SHW(05)	586-1308-9-05	27	24	—	11.5	10.9	8.7	8.1	25.4	29.4
FH23-31S-0.3SHW(05)	586-1302-2-05	31	24	—	11.5	12.1	9.9	9.3	25.4	29.4
FH23-33S-0.3SHW(05)	586-1304-8-05	33	24	—	11.5	12.7	10.5	9.9	25.4	29.4
FH23-37S-0.3SHW(05)	586-1335-1-05	37	24	—	11.5	13.9	11.7	11.1	25.4	29.4
FH23-39S-0.3SHW(05)	586-1306-3-05	39	24	—	11.5	14.5	12.3	11.7	25.4	29.4
FH23-45S-0.3SHW(05)	586-1318-2-05	45	24	—	11.5	16.3	14.1	13.5	25.4	29.4
FH23-51S-0.3SHW(06)	586-1312-6-06	51	32	28.4	14.2	18.1	15.9	15.3	33.4	37.4
FH23-61S-0.3SHW(05)	586-1310-0-05	61	32	28.4	14.2	21.1	18.9	18.3	33.4	37.4
FH23-71S-0.3SHW(05)	586-1320-4-05	71	44	40.4	20.2	24.1	21.9	21.3	45.4	49.4

Part Number	CL No.	Number of Contacts	H	J	K	L	M	N	Q	R
FH23-15S-0.3SHAW(05)	586-1316-7-05	15	16	—	7.5	7.3	5.1	4.5	17.4	21.4
FH23-17S-0.3SHAW(05)	586-1301-0-05	17	16	—	7.5	7.9	5.7	5.1	17.4	21.4
FH23-21S-0.3SHAW(05)	586-1315-4-05	21	16	—	7.5	9.1	6.9	6.3	17.4	21.4
FH23-23S-0.3SHAW(05)	586-1325-8-05	23	24	—	11.5	9.7	7.5	6.9	25.4	29.4
FH23-25S-0.3SHAW(05)	586-1323-2-05	25	24	—	11.5	10.3	8.1	7.5	25.4	29.4
FH23-27S-0.3SHAW(05)	586-1309-1-05	27	24	—	11.5	10.9	8.7	8.1	25.4	29.4
FH23-31S-0.3SHAW(05)	586-1303-5-05	31	24	—	11.5	12.1	9.9	9.3	25.4	29.4
FH23-33S-0.3SHAW(05)	586-1305-0-05	33	24	—	11.5	12.7	10.5	9.9	25.4	29.4
FH23-39S-0.3SHAW(05)	586-1307-6-05	39	24	—	11.5	14.5	12.3	11.7	25.4	29.4
FH23-45S-0.3SHAW(05)	586-1319-5-05	45	24	—	11.5	16.3	14.1	13.5	25.4	29.4
FH23-51S-0.3SHAW(06)	586-1313-9-06	51	32	28.4	14.2	18.1	15.9	15.3	33.4	37.4
FH23-61S-0.3SHAW(05)	586-1311-3-05	61	32	28.4	14.2	21.1	18.9	18.3	33.4	37.4
FH23-71S-0.3SHAW(05)	586-1321-7-05	71	44	40.4	20.2	24.1	21.9	21.3	45.4	49.4

Recommended Temperature Profile



HRS test condition

Solder method	: Reflow, IR/hot air
Environment	: Room air
Solder composition	: Paste, 96.5%Sn/3.0%Ag/0.5%Cu (Senju Metal Industry, Co., Ltd.'s Part Number: M705-221-CM5-32- 10.5)
Test board	: Glass epoxy 45mm×100mm×1.6mm thick
Land dimensions	: Lead type 0.3mm×1.25mm, 0.3mm×0.7mm Leadless type 0.3mm×1.25mm, 0.3mm×0.65mm
Metal mask	: Lead type 0.25mm×1.25mm×0.1mm thick 0.25mm×0.7mm×0.1mm thick Leadless type 0.25mm×1.25mm×0.1mm thick 0.25mm×0.65mm×0.1mm thick

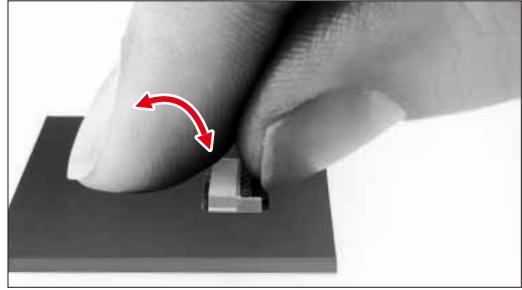
In individual applications the actual temperature may vary, depending on solder paste type, volume/thickness and board size/thickness. Consult your solder paste and equipment manufacturer for specific recommendations.

■ Connector Operating Instructions, precautions and recommendations

Operation

1.FPC Termination procedure. Connector installed on the board.

1) Lift up the actuator. Use thumb or index finger.



2) Fully insert the FPC in the connector parallel to mounting surface, with the exposed conductive traces facing down.

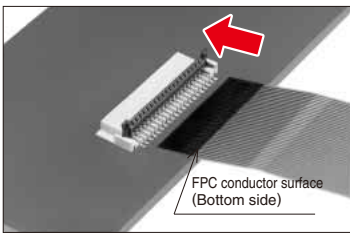


photo 1

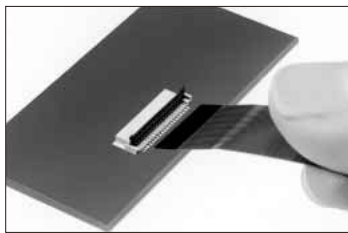


photo 2

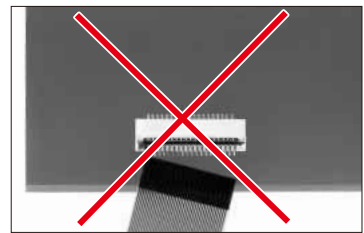
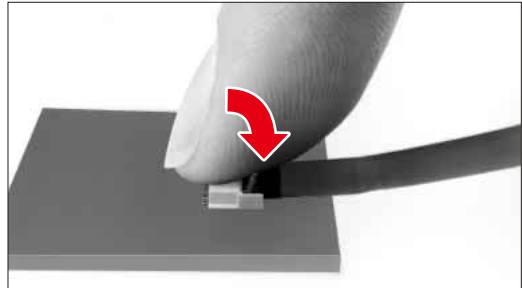
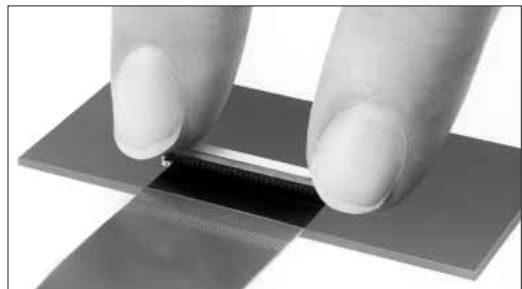


photo 3

3) Rotate down the actuator until firmly closed.
NOTE: The FPC must be fully inserted in the connector. If not fully inserted, the actuator will not close properly. Should this be the case, lift up the actuator (per Step 2 below) and repeat the process (starting with Step 1 above)

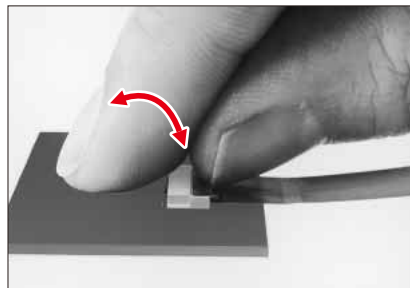


4) For connectors with multiple contacts, such as 61 and 71 pos. rotate down the actuator pushing at both ends.



2.FPC Removal

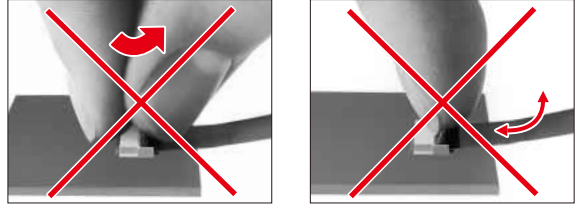
- 1) Lift up the actuator.
- 2) Carefully remove the FPC.



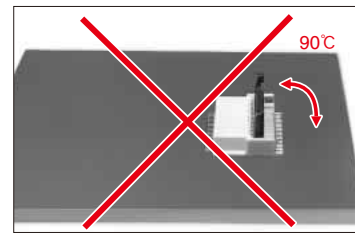
■ Connector Operating Instructions, precautions and recommendations

Precautions

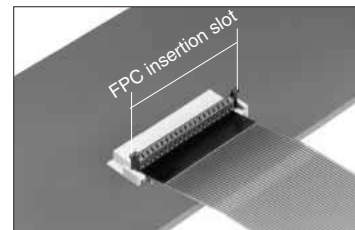
- 1) Do not apply excessive force or use any type of tool to operate the actuator.



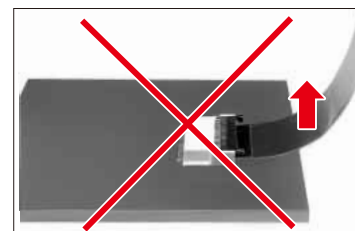
- 2) The connector will assure reliable performance when the actuator is open to 90° maximum. Do not exceed this angle, as this may cause permanent damage to the connector.



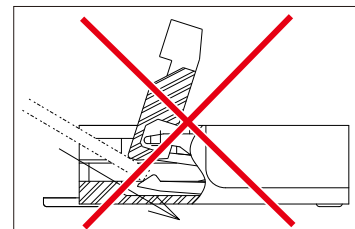
- 3) Properly insert the FPC at the positioning part of the connector. Locking the FPC while it is partially inserted, may cause lock damage, disconnection of the FPC, or continuity fault.



- 4) Do not apply force in the upward direction (as illustrated). Do not bend the FPC too close to the actuator.



- 5) When inserting the FPC, do not forcefully rub against the bottom surface of the connector insertion entrance. Doing so will result in the contacts and FPC making strong contact and may cause deformation of the contacts, peeling of the FPC conductor, and other problems.



USA:

HIROSE ELECTRIC (U.S.A.), INC. Headquarters

2688 Westhills Court, Simi Valley, CA 93065-6235
 Phone : 1-805-522-7958
 Fax : 1-805-522-3217
<http://www.hiroseusa.com>

USA:

HIROSE ELECTRIC (U.S.A.), INC. North California Office

20400 Stevens Creek Blvd., Ste 250, Cupertino, CA 95014
 Phone : 1-408-253-9640
 Fax : 1-408-253-9641
<http://www.hiroseusa.com>

USA:

HIROSE ELECTRIC (U.S.A.), INC. Detroit Office (Automotive)

37677 Professional Center Drive, Suite #100C Livonia, MI 48154
 Phone : 1-734-542-9963
 Fax : 1-734-542-9964
<http://www.hiroseusa.com>

GERMANY:

HIROSE ELECTRIC EUROPE B.V. GERMAN BRANCH

Herzog-Carl-Strasse 4 D-73760 Ostfildern (Scharnhäuser Park)
 Phone : 49-711-4560-02-1
 Fax : 49-711-4560-02-299
<http://www.hirose.de>

THE NETHERLANDS:

HIROSE ELECTRIC EUROPE B.V.

Hogehillweg #8 1101 CC Amsterdam Z-0
 Phone : 31-20-6557460
 Fax : 31-20-6557469
<http://www.hiroseeurope.com>

UK:

HIROSE ELECTRIC EUROPE B.V. UK BRANCH

First Floor, St Andrews House, Caldecotte Lake Business Park, Milton Keynes MK7 8LE
 Phone : 44-1908-369060
 Fax : 44-1908-369078
<http://www.hirose.co.uk>

CHINA:

HIROSE ELECTRIC CO., LTD. BEIJING REPRESENTATIVE OFFICE

A1001, Ocean International Center, Building 56# East 4th Ring Middle Road, Chao Yang District, Beijing, 100025
 Phone : 86-10-5165-9332
 Fax : 86-10-5908-1381
<http://www.hirose-china.com.cn>

CHINA:

HIROSE ELECTRIC (SHANGHAI) CO., LTD.

1501-02, Cross Tower Building, 318 Fuzhou Road, Huang Pu District, Shanghai 200001
 Phone : 86-21-6391-3355
 Fax : 86-21-6335-0767
<http://www.hirose-china.com.cn>

CHINA:

HIROSE ELECTRIC CO., LTD. SHENZHEN OFFICE

Room 09-13, 19/F, Office Tower Shun Hing Square, Di Wang Commercial Centre 5002, ShenNanDong Road, ShenZhen City, Guangdong Province, 518008
 Phone : 86-755-8207-0851
 Fax : 86-755-8207-0873
<http://www.hirose-china.com.cn>

HONG KONG:

HIROSE ELECTRIC HONGKONG TRADING CO., LTD.

Unit 1102 A&B, Energy Plaza, 92 Granville Road, Tsim Sha Tsui East, Kowloon
 Phone : 852-2803-5338
 Fax : 852-2591-6560
<http://www.hirose-hongkong.com.hk>

TAIWAN:

HIROSE ELECTRIC TAIWAN CO., LTD.

103 8F, No.87, Zhengzhou Rd., Taipei
 Phone : 886-2-2555-7377
 Fax : 886-2-2555-7350
<http://www.hirose-taiwan.com.tw>

SINGAPORE:

HIROSE ELECTRIC CO., LTD.

10 Anson Road #26-16 International Plaza 079903
 Phone : 65-6324-6113
 Fax : 65-6324-6123
<http://www.hirose-singapore.com.sg>

KOREA:

HIROSE KOREA CO., LTD.

1261-10, Jeoungwhang-Dong, Shihung-City, Kyunggi-Do 429-450
 Phone : 82-31-496-7000,7124
 Fax : 82-31-496-7100
<http://www.hirose.co.kr>



HIROSE ELECTRIC CO.,LTD.

6-3,Nakagawa Chuoh-2-Chome,Tsuzuki-Ku,Yokohama-Shi 224-8540,JAPAN
 TEL: +81-45-620-3526 Fax: +81-45-591-3726
<http://www.hirose.com>
<http://www.hirose-connectors.com>

Mouser Electronics

Authorized Distributor

Click to View Pricing, Inventory, Delivery & Lifecycle Information:

[Hirose Electric:](#)

[FH23-15S-0.3SHW\(05\)](#) [FH23-17S-0.3SHW\(05\)](#) [FH23-31S-0.3SHW\(05\)](#) [FH23-15S-0.3SHW\(10\)](#) [FH23-17S-0.3SHW\(10\)](#) [FH23-21S-0.3SHW\(10\)](#) [FH23-23S-0.3SHW\(10\)](#) [FH23-33S-0.3SHW\(10\)](#) [FH23-39S-0.3SHW\(10\)](#) [FH23-45S-0.3SHW\(10\)](#) [FH23-51S-0.3SHAW\(05\)](#) [FH23-51S-0.3SHW\(05\)](#) [FH23-51S-0.3SHW\(10\)](#) [FH23-61S-0.3SHW\(10\)](#)