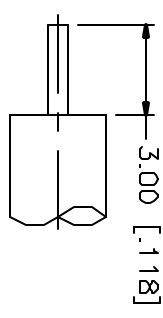
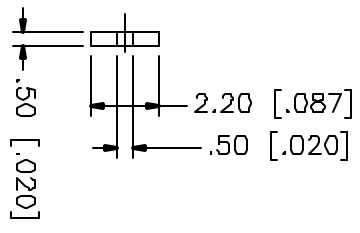
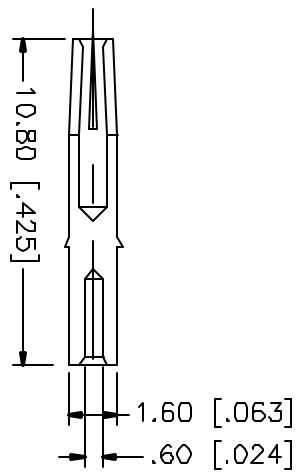
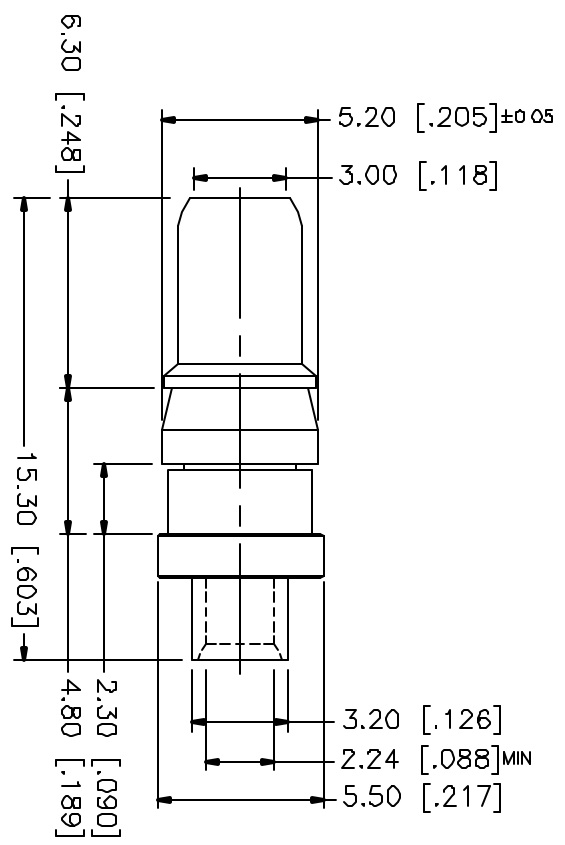



REV.	DATE	DESCRIPTION
NC	08/09/01	INITIAL RELEASE



RECOMMENDED
CABLE STRIPPING DIM'S



DESCRIPTION	MATERIAL	FINISH	UNLESS OTHERWISE SPECIFIED DIMENSIONS ARE IN MILLIMETERS DIMENSIONS IN [] ARE IN INCHES FOR CUSTOMER REFERENCE ONLY	APPROVALS	DATE	 <p>D-SUB CRIMP PLUG (RG .085", .086" SEMI RIGID CABLE)</p>
1 BODY	BRASS	GOLD	<p>UNLESS OTHERWISE SPECIFIED TOLERANCES FOR MILLIMETERS ARE</p> <p>0.5-6 = ± 0.2</p> <p>6-30 = ± 0.4</p> <p>30-120 = ± 0.6</p> <p>120-315 = ± 1</p> <p>315-1000 = ± 1.6</p> <p>1000-2000 = ± 2.4</p> <p>DO NOT SCALE DRAWING</p>	DRAWN	08/09/01	
2 INSULATOR	TEFLON	NATURAL		REVISED		
3 CONTACT PIN	PHOS. BRONZE	GOLD		ESD		
4						
5						
6						
7						
8						
TITLE		SIZE	FSCN NO	PART NO.	DWG. NO	REV
D-SUB CRIMP PLUG		A	99001	212108	212108.DWG	NC
Connector Corporation		SCALE	NA			
		SHEET				

Mouser Electronics

Authorized Distributor

Click to View Pricing, Inventory, Delivery & Lifecycle Information:

[Amphenol:](#)

[212108](#)