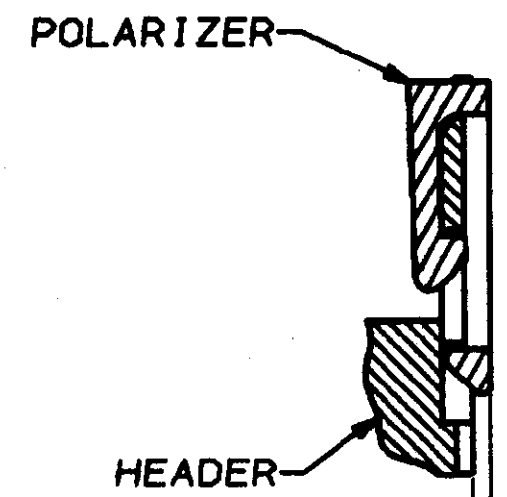
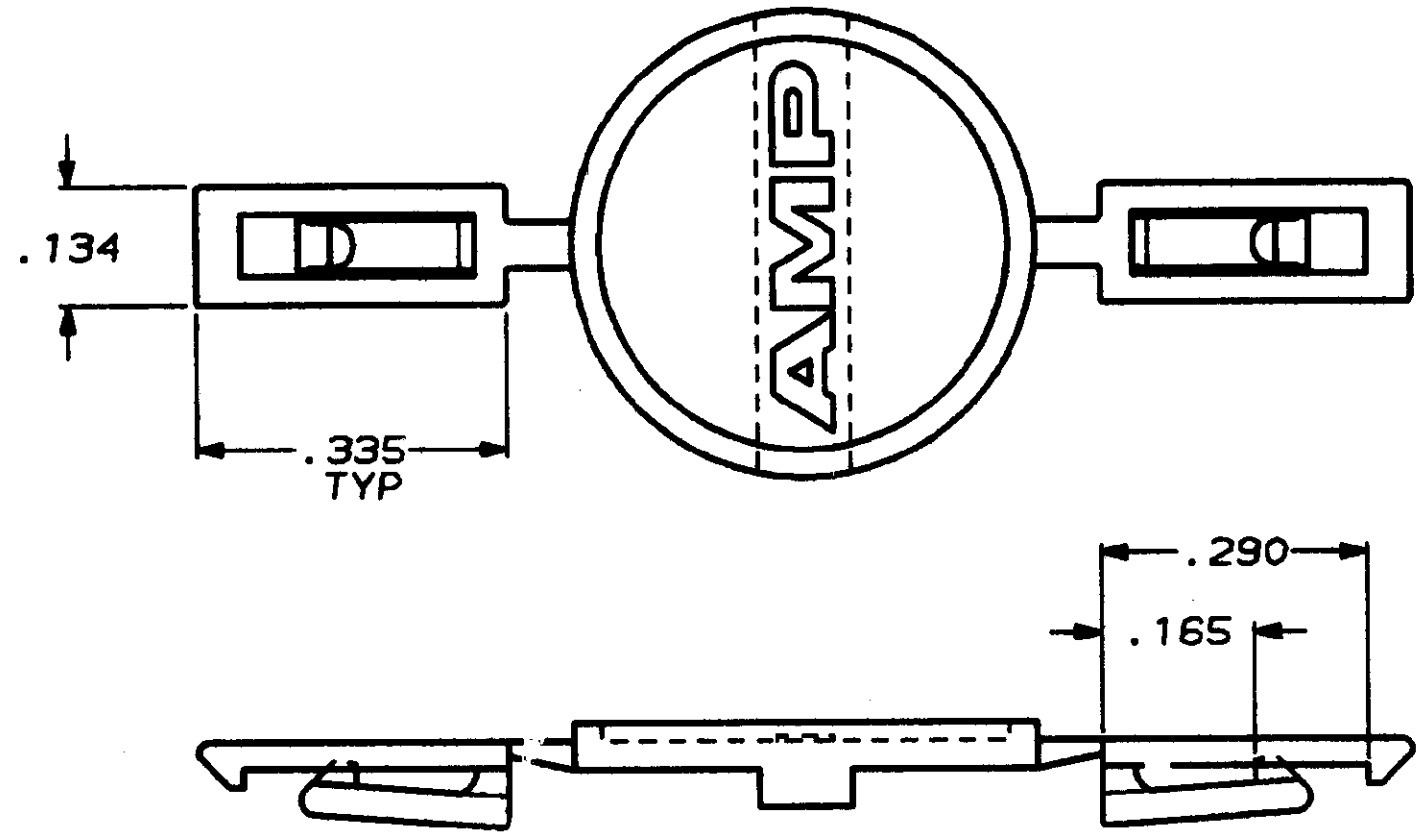


THIS DRAWING IS UNPUBLISHED. RELEASED FOR PUBLICATION , 19
© COPYRIGHT 19 BY AMP INCORPORATED. ALL INTERNATIONAL RIGHTS RESERVED.

REV	DATE	BY	ZONE	LTR	DESCRIPTION	DATE	APPD
49	AR	39		C	REDRAWN ON CAD	7-26-90	-



WHEN INSTALLED ON AN AMP HEADER, A POLARIZER WILL INCREASE THE HEADER WIDTH BY .02 INCH.

1000	499991-3
50	499991-2
PACKAGING QUANTITY	PART NUMBER

1. 499991-1 SUPERSEDED BY 499991-3.

DO NOT SCALE PRINT. UNLESS SPECIFIED DIMENSIONS IN INCHES TOLERANCES ON: 1/16" DEC * - 3/16" DEC * .005 ANGLES * -	DR 07/26/90 K.L. GONZALEZ APPD APPD PRCD	AMP Incorporated Harrisburg, PA 17105-3608	
	MATERIAL UL 94 V-0 RATED BLACK THERMOPLASTIC	FINISH -	POLARIZER, SNAP-IN, AMP-LATCH™
	APPLICATION SPEC -	SIZE B	CAGE CODE 00779
	WEIGHT -	SCALE 5:1	DRAWING NO 499991
			SHEET 1 OF 1

CUSTOMER DRAWING

Mouser Electronics

Authorized Distributor

Click to View Pricing, Inventory, Delivery & Lifecycle Information:

[TE Connectivity:](#)

[499991-3](#)