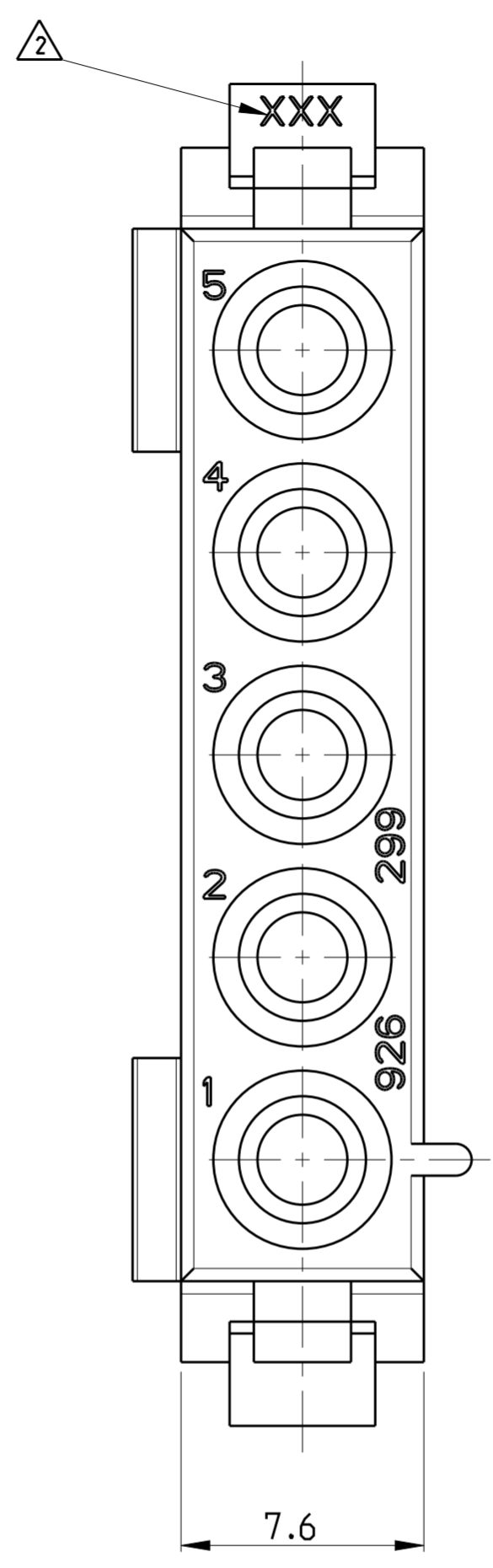
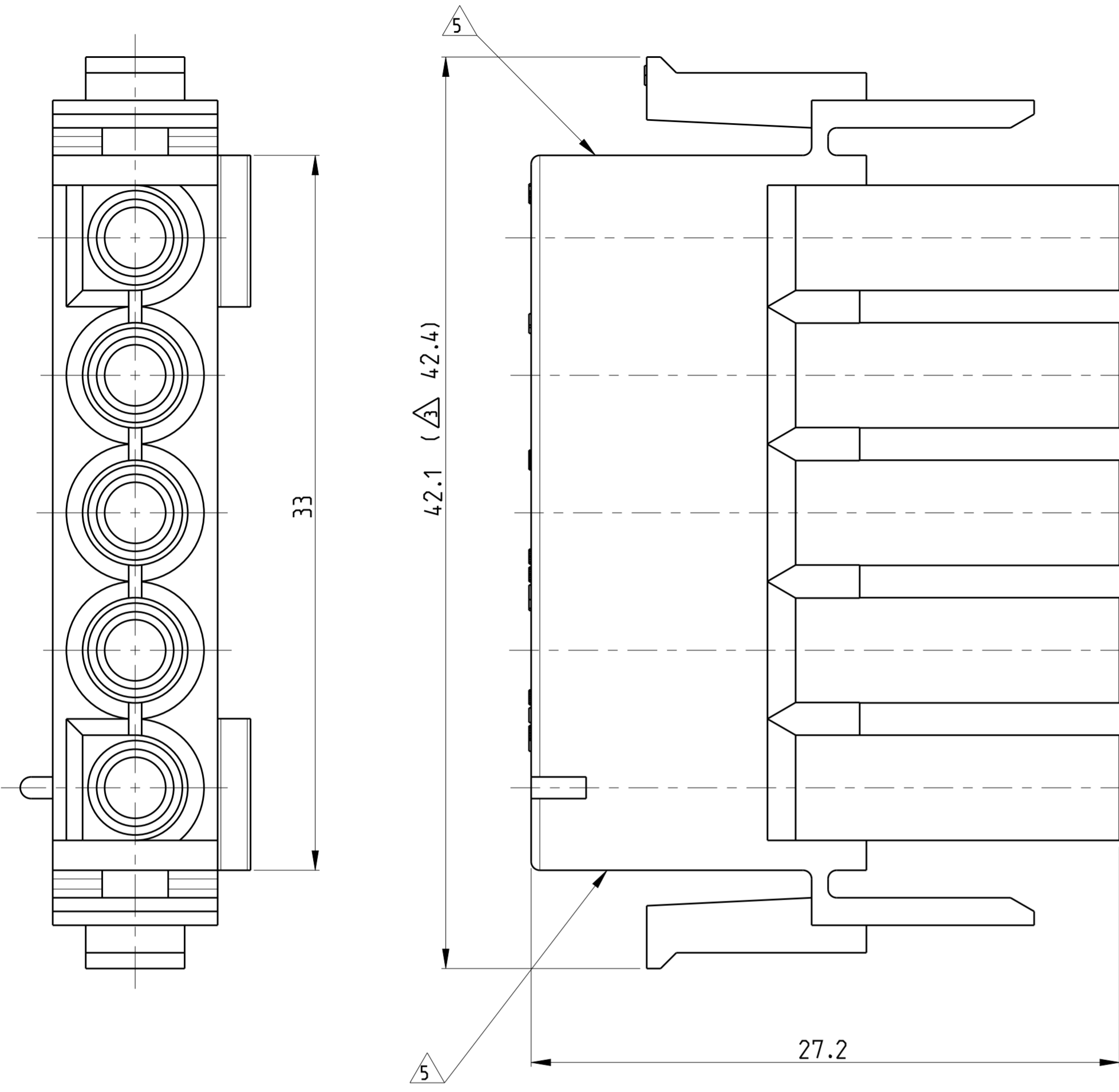


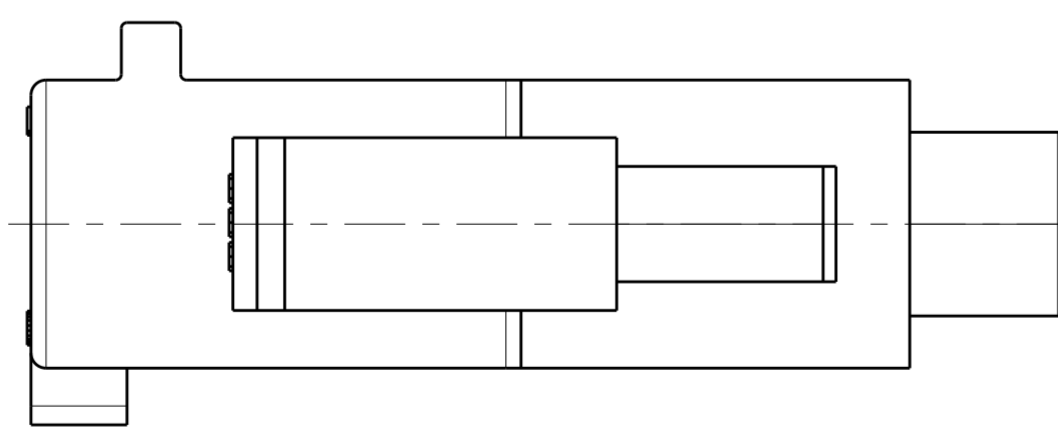
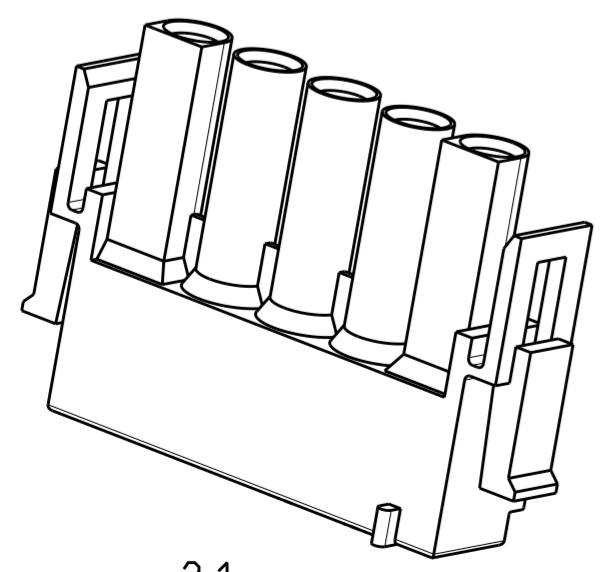
THIS DRAWING IS UNPUBLISHED. RELEASED FOR PUBLICATION 2003
 © COPYRIGHT 2003 ALL RIGHTS RESERVED.

LOC	DIST	REVISIONS					
A1	-	P	LTR	DESCRIPTION	DATE	DWN	APVD
		J2		REVISED PER ECR-17-014951	16OCT2017	BDA	KR



Bemerkungen
NOTES

- 1 Neues Material (Phosphor und Halogen frei)
NEW MATERIAL (PHOSPHORUS AND HALOGENOUS FREE)
- 2 Hersteller-Logo und Ländercode nach AMP-Spez. 115-18016
BRANDNAME AND MANUFACTURING LOCATION CODE ACCORDING SPEC. 115-18016
- 3 Gl ühdrahtprüfung 750 °C (ohne Flamme)
Maß 42.4 nur für Var. ...-5
GW T 750 °C (WITHOUT FLAME)
DIM 42.4 ONLY FOR VAR. ...-5
- 4 Farbe der Gehäuse kann anhand klar, grün oder gelb wegen hygroskopischen Natur resin. However es hat keinen Einfluss auf die Form, Passform und Funktion der Produktpalette.
COLOR OF HOUSINGS MAY RANGE FROM CLEAR TO GREEN OR YELLOW DUE TO HYGROSCOPIC NATURE OF RESIN. HOWEVER IT DOESN'T AFFECT THE FORM, FIT AND FUNCTION OF THE PRODUCT.
- 5 CSA-ZERTIFIZIERUNGS-LOGO DIE MINDESTENS AUF EINER SEITE DES GEHÄUSES AUFGEFÜHRT WURDE
CSA CERTIFICATION LOGO LOCATED AT LEAST ON ONE SIDE OF THE HOUSING LOCATED AS SHOWN
- 6 DIMENSIONS SHOWN REPRESENT PRODUCT IN DRY, AS MOLDED, CONDITION. ADDITIONAL 2% GROWTH DUE TO SUBSEQUENT MOISTURE ABSORPTION MAY OCCUR AND SHOULD BE ACCOUNTED FOR.



926299-5	PA6 UL94 V-2	3	natur NATURAL
926299-4	PA6.6 UL94 V-0		weiß WHITE
926299-3	PA6.6 UL94 V-0	1	natur NATURAL
926299-2	PA6.6 UL94 V-0		schwarz BLACK
926299-1	PA 66 UL94 V-2	4	natur NATURAL
PART NO.	MATERIAL		COLOR

THIS DRAWING IS A CONTROLLED DOCUMENT. DWN Abraham.G. 22MAY03
 CHK Kampmann.H. 23MAY03

DIMENSIONS: mm	TOLERANCES UNLESS OTHERWISE SPECIFIED: 0 PLC ± 1 PLC ± 0.2 2 PLC ± 3 PLC ± 4 PLC ± ANGLES ±° FINISH	APVD -	NAME
MATERIAL SEE TABLE		PRODUCT SPEC 108-1031 APPLICATION SPEC 114-18011 WEIGHT 3.1 g	5-pol. Steckergewüse 5 WAY PLUG
		CUSTOMER DRAWING	SIZE A2 CAGE CODE G-926299 DRAWING NO 926299 RESTRICTED TO -
		SCALE 5:1 SHEET 1 OF 1 REV J2	

STE TE Connectivity

Mouser Electronics

Authorized Distributor

Click to View Pricing, Inventory, Delivery & Lifecycle Information:

[TE Connectivity:](#)

[926299-1](#)