

# SMD Oscillators- CMOS Output 3.2 x 2.5 x 1.0 mm AU Series



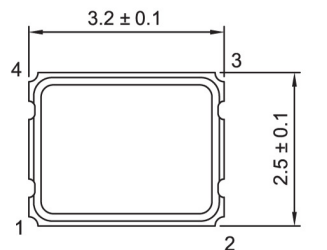
## Features

- Ultra Small SMD seam sealed clock crystal oscillator units.
- RoHS Compliant / Pb Free.
- 32.768 KHz CXO available.

## Electrical Specifications

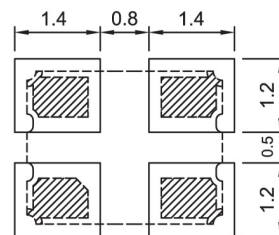
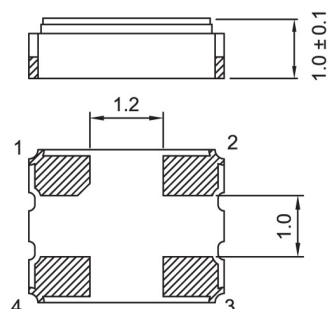
Item / Type	AU	
Output Type	CMOS	
Output Load	15 pF , or 30 pF	
Oscillation Mode	Fundamental / 3rd Overtone	
Supply Voltage	1.8 V	2.5 V , 3.3 V
Frequency Range	1 ~ 106.25 MHz	
Frequency Stability	± 50 ppm	
Operating Temperature Range	-40 ~ + 85 °C	
Storage Temperature Range	- 55 ~ + 125 °C	
Voltage Vol ( Max. ) / Voh ( Min. )	0.1 VDD / 0.9 VDD	
Rise ( Tr ) / Fall ( Tf ) Time	10 ns Max.	
Supply Current	4 mA Max.	6 mA Max.
Symmetry	45 ~ 55 %	
Start-up Time	10 ms Max.	
Phase Jitter ( 12 KHz ~ 20 MHz )	1 ps Max.	
Aging ( at 25 °C )	± 3 ppm / year Max.	
Reliability Standard	AEC-Q100	

## Dimensions



PAD FUNCTION:  
1:ENABLE CONTROL  
2:GND  
3:OUT  
4:VDD

Suggested Layout



Units: mm

Remark : Specification subject to change without prior notice. Please confirm with our sales.

# Mouser Electronics

Authorized Distributor

Click to View Pricing, Inventory, Delivery & Lifecycle Information:

## [TXC Corporation:](#)

[AU-12.000MBE-T](#) [AU-12.288MBE-T](#) [AU-13.500MBE-T](#) [AU-14.31818MBE-T](#) [AU-14.7456MBE-T](#) [AU-24.000MBE-T](#)  
[AU-25.000MBE-T](#) [AU-26.000MBE-T](#) [AU-27.000MBE-T](#) [AU-28.63636MBE-T](#) [AU-33.000MBE-T](#) [AU-48.000MBE-T](#)  
[AU-50.000MBE-T](#) [AU-54.000MBE-T](#) [AU-40.000MDE-T](#) [AU-22.5792MDE-T](#) [AU-26.000MDE-T](#) [AU-66.000MBE-T](#)  
[AU22570001](#) [AU66000001](#) [AU26000003](#)