

APT30DQ100BG
Datasheet
Ultrafast Soft Recovery Rectifier Diode

Final
April 2018



Contents

1	Revision History	1
1.1	Revision D	1
1.2	Revision C	1
1.3	Revision B	1
1.4	Revision A	1
2	Product Overview	2
2.1	Features	2
2.2	Benefits	2
2.3	Applications	2
3	Electrical Specifications	3
3.1	Absolute Maximum Ratings	3
3.2	Electrical Performance	3
3.3	Dynamic Characteristics	4
3.4	Thermal and Mechanical Characteristics	4
3.5	Typical Performance Curves	5
3.6	Reverse Recovery Overview	7
4	Package Specification	8
4.1	Package Outline Drawing	8

1 Revision History

The revision history describes the changes that were implemented in the document. The changes are listed by revision, starting with the most current publication.

1.1 Revision D

Revision D was published in April 2018. The following is a summary of the changes in revision D of this document.

- Product image was updated.
- Product features were updated. For information, see [Product Overview \(see page 2\)](#).
- The lead thickness in the package outline drawing was updated. For more information, see [Package Outline Drawing \(see page 8\)](#).

1.2 Revision C

Revision C was published in May 2011. The following is a summary of the changes in Revision C of this document.

- Patent Information was removed.
- B-Pack Information was updated.
 - Changed max lead thickness from 0.79 (.031) to 1.016 (.040).

1.3 Revision B

Revision B was published in July 2009. The following is a summary of the changes in Revision B of this document.

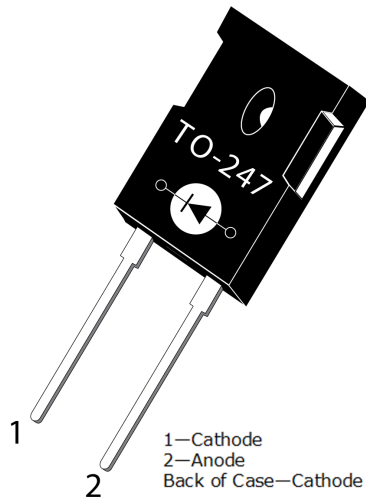
- Graphs were added.

1.4 Revision A

Revision A was published in January 2006. It is the first publication of this document.

2 Product Overview

This section outlines the product overview for the APT30DQ100BG device.



2.1 Features

The following are key features of the APT30DQ100BG device:

- Ultrafast recovery times
- Soft recovery characteristics
- Low forward voltage
- Low leakage current
- Avalanche energy rated
- RoHS compliant
- AEC-Q101 qualified

2.2 Benefits

The following are benefits of the APT30DQ100BG device:

- High switching frequency
- Low switching losses
- Low noise (EMI) switching
- Higher reliability systems
- Increased system power density

2.3 Applications

The APT30DQ100BG device is designed for the following applications:

- Power factor correction (PFC)
- Anti-parallel diode
 - Switch-mode power supply
 - Inverters/converters
 - Motor controllers
- Freewheeling diode
 - Switch-mode power supply
 - Inverters/converters
- Snubber/clamp diode

3 Electrical Specifications

This section details the electrical specifications for the APT30DQ100BG device.

3.1 Absolute Maximum Ratings

The following table shows the maximum ratings for the APT30DQ100BG device.

All ratings: $T_c = 25\text{ }^\circ\text{C}$ unless otherwise specified.

Table 1 • Absolute Maximum Ratings

Symbol	Parameter	Rating	Unit
V_R	Maximum DC reverse voltage	1000	V
V_{RRM}	Maximum peak repetitive reverse voltage	1000	
V_{RWM}	Maximum working peak reverse voltage	1000	
$I_{F(AV)}$	Maximum average forward current ($T_c = 102\text{ }^\circ\text{C}$, duty cycle = 0.5)	30	A
$I_{F(RMS)}$	RMS forward current	43	
I_{FSM}	Non-repetitive forward surge current ($T_J = 45\text{ }^\circ\text{C}$, 8.3 ms)	150	
E_{AVL}	Avalanche energy (1 A, 40 mH)	20	mJ
T_J, T_{STG}	Operating and storage temperature range	-55 to 175	$^\circ\text{C}$
T_L	Lead temperature for 10 s	300	

3.2 Electrical Performance

The following table shows the static electrical characteristics of the APT30DQ100BG device.

Table 2 • Static Electrical Characteristics

Symbol	Characteristic	Test Conditions	MIN	TYP	MAX	Unit
V_F	Forward voltage	$I_F = 30\text{ A}$		2.5	3.0	V
		$I_F = 60\text{ A}$		3.06		
		$I_F = 30\text{ A}, T_J = 125\text{ }^\circ\text{C}$		1.92		
I_{RM}	Maximum reverse leakage current	$V_R = 1000\text{ V}$			100	μA
		$V_R = 1000\text{ V}, T_J = 125\text{ }^\circ\text{C}$			500	
C_T	Junction capacitance	$V_R = 200\text{ V}$		26		pF

3.3 Dynamic Characteristics

The following table shows the dynamic characteristics of the APT30DQ100BG device.

Table 3 • Dynamic Characteristics

Symbol	Characteristic	Test Conditions	MIN	TYP	MAX	Unit
t_{rr}	Reverse recovery time	$I_F = 1\text{ A}$, $di_F/dt = -100\text{ A}/\mu\text{s}$ $V_R = 30\text{ V}$, $T_J = 25\text{ }^\circ\text{C}$		24		ns
t_{rr}	Reverse recovery time	$I_F = 30\text{ A}$, $di_F/dt = -200\text{ A}/\mu\text{s}$		295		
Q_{rr}	Reverse recovery charge	$V_R = 667\text{ V}$, $T_C = 25\text{ }^\circ\text{C}$		440		nC
I_{RRM}	Maximum reverse recovery current			4		A
t_{rr}	Reverse recovery time	$I_F = 30\text{ A}$, $di_F/dt = -200\text{ A}/\mu\text{s}$		330		ns
Q_{rr}	Reverse recovery charge	$V_R = 667\text{ V}$, $T_C = 125\text{ }^\circ\text{C}$		1550		nC
I_{RRM}	Maximum reverse recovery current			8		A
t_{rr}	Reverse recovery time	$I_F = 30\text{ A}$, $di_F/dt = -1000\text{ A}/\mu\text{s}$		150		ns
Q_{rr}	Reverse recovery charge	$V_R = 667\text{ V}$, $T_C = 125\text{ }^\circ\text{C}$		2250		nC
I_{RRM}	Maximum reverse recovery current			25		A

3.4 Thermal and Mechanical Characteristics

This section shows the thermal and mechanical characteristics of the APT30DQ100BG device.

Table 4 • Thermal and Mechanical Characteristics

Symbol	Characteristic/Test Conditions	MIN	TYP	MAX	UNIT
$R_{\theta JC}$	Junction-to-case thermal resistance			0.80	$^\circ\text{C}/\text{W}$
W_T	Package weight		0.22		oz
			5.9		g
Torque	Maximum mounting torque			10	lb-in
				1.1	N-m

Microsemi reserves the right to change, without notice, the specifications and information contained herein.

3.5 Typical Performance Curves

This section shows the typical performance curves for the APT30DQ100BG device.

Figure 1 • Maximum Transient Thermal Impedance

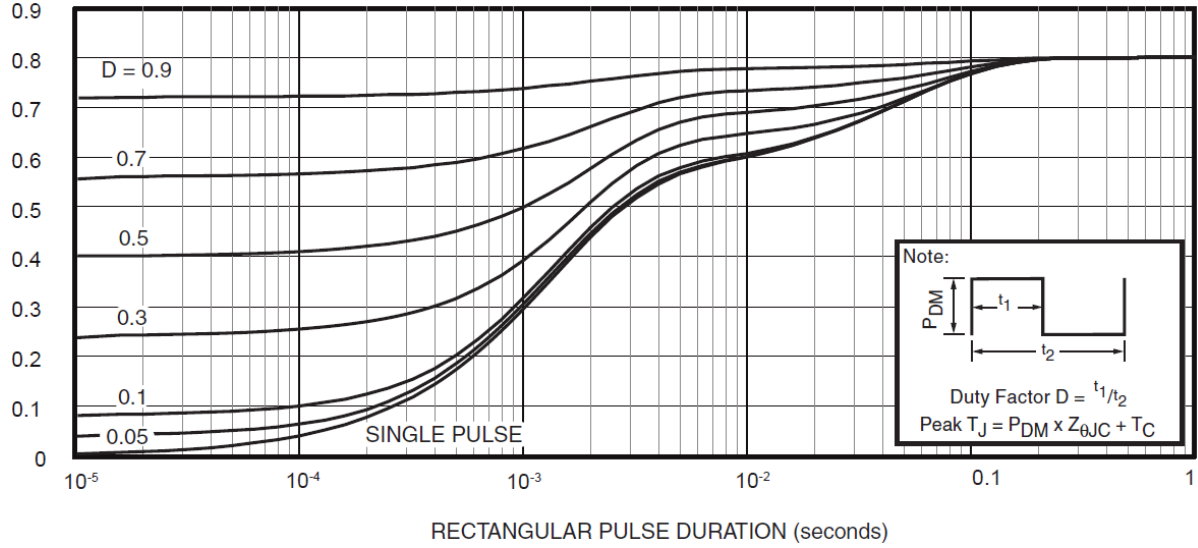


Figure 2 • Forward Current vs. Forward Voltage

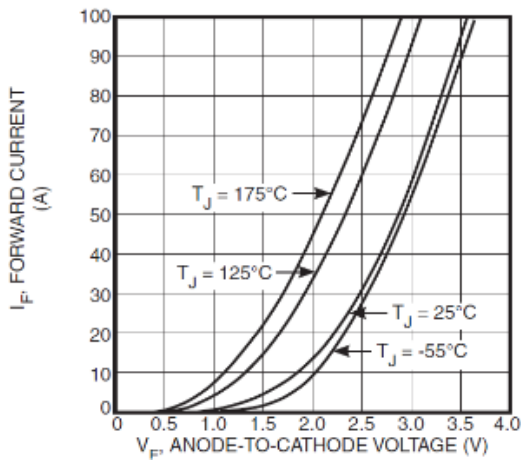


Figure 3 • trr vs. Current Rate of Change

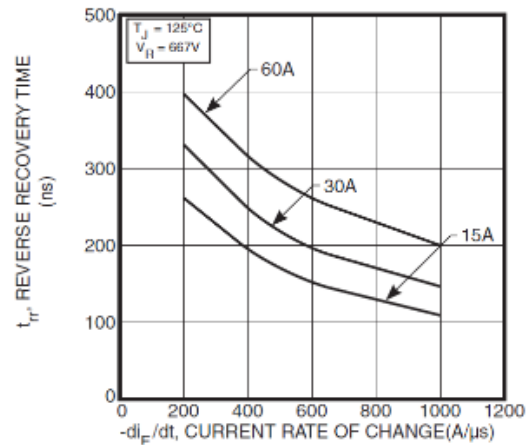


Figure 4 • Reverse Recovery Charge vs. Current Rate of Change

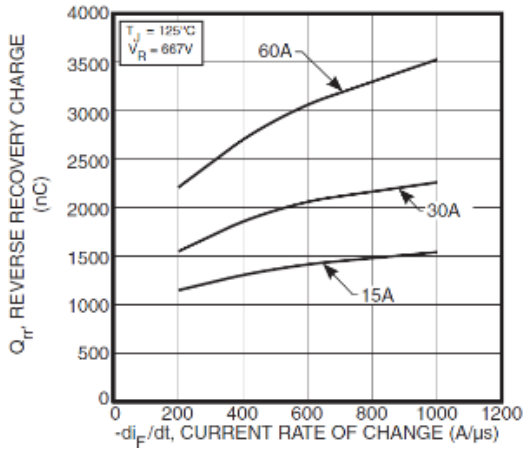


Figure 5 • Reverse Recovery Current vs. Current Rate of Change

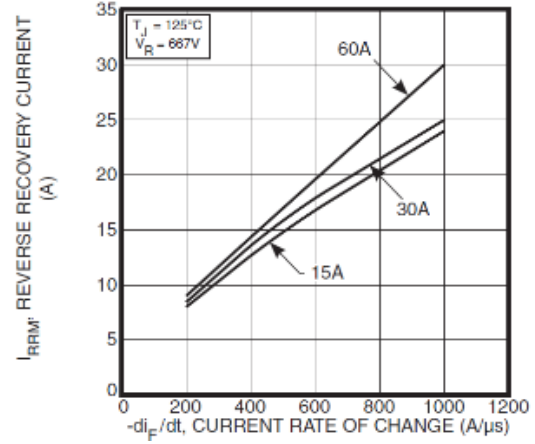


Figure 6 • Dynamic Parameters vs. Junction Temperature

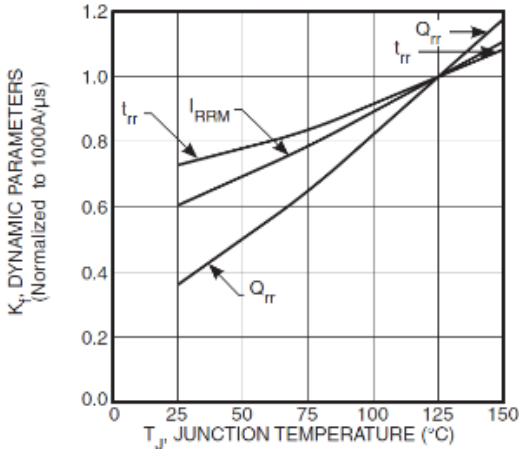


Figure 7 • Maximum Average Forward Current vs. Case Temperature

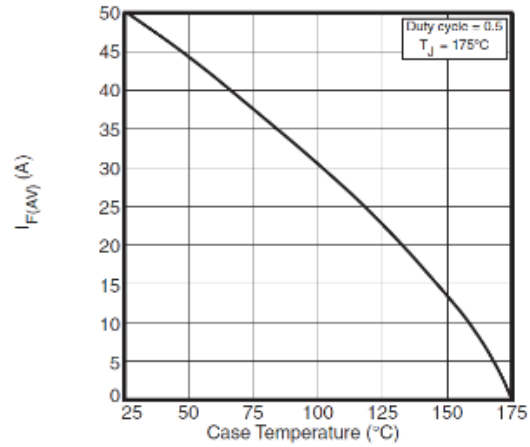
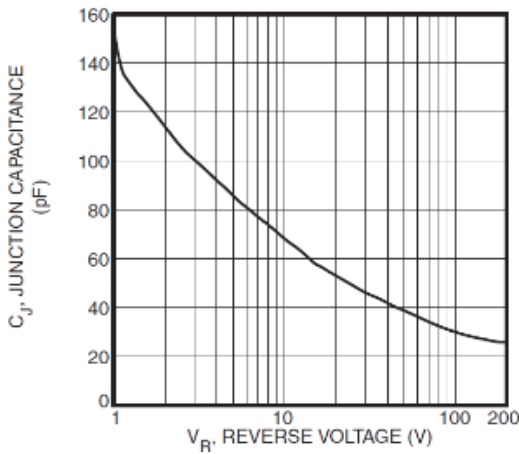


Figure 8 • Junction Capacitance vs. Reverse Voltage



3.6 Reverse Recovery Overview

The following figures illustrate the reverse recovery testing and measurement information for the APT30DQ100BG device.

Figure 9 • Diode Test Circuit

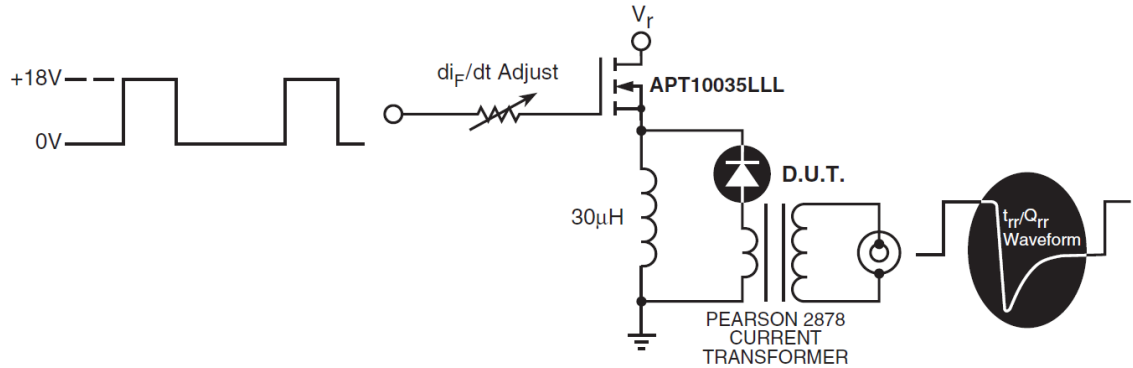
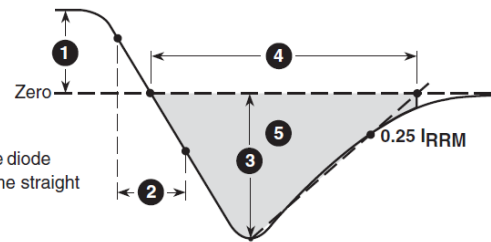


Figure 10 • Diode Reverse Recovery Waveform and Definitions

- 1 I_F - Forward Conduction Current
- 2 di_F/dt - Rate of Diode Current Change Through Zero Crossing.
- 3 I_{RRM} - Maximum Reverse Recovery Current.
- 4 t_{rr} - Reverse Recovery Time, measured from zero crossing where diode current goes from positive to negative, to the point at which the straight line through I_{RRM} and $0.25 \cdot I_{RRM}$ passes through zero.
- 5 Q_{rr} - Area Under the Curve Defined by I_{RRM} and t_{rr} .



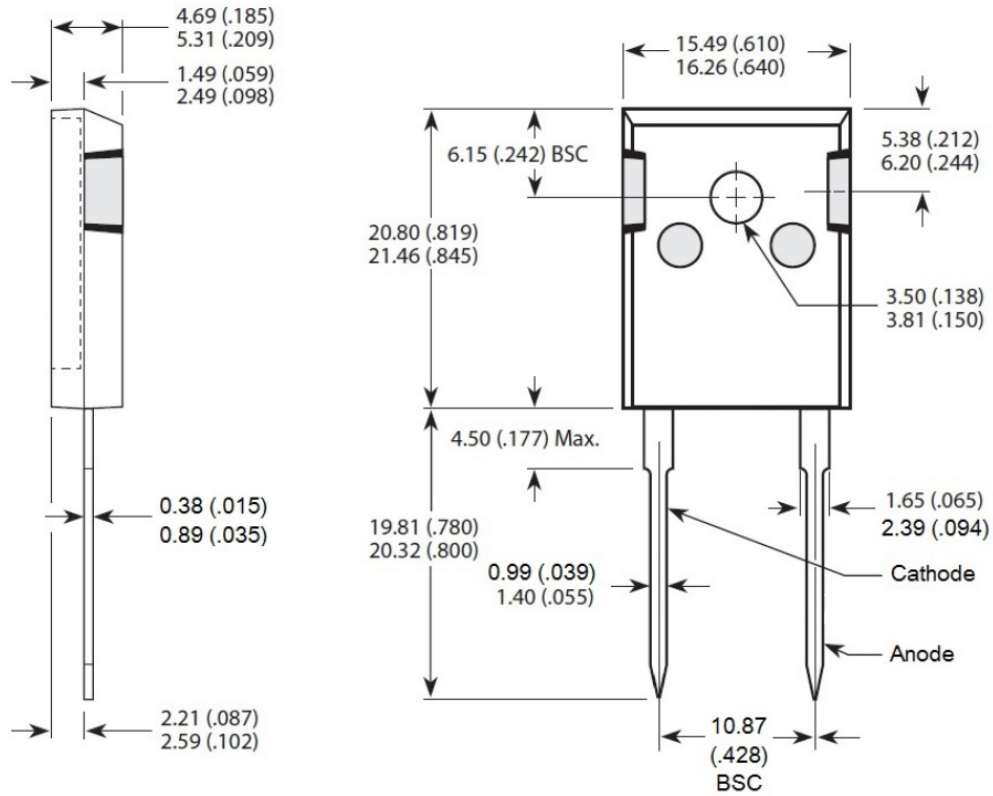
4 Package Specification

This section outlines the package specification for the APT30DQ100BG device.

4.1 Package Outline Drawing

This section details the TO-247 package drawing of the APT30DQ100BG device.

Figure 11 • Package Outline Drawing



**Microsemi Corporate Headquarters**

One Enterprise, Aliso Viejo,
CA 92656 USA
Within the USA: +1 (800) 713-4113
Outside the USA: +1 (949) 380-6100
Fax: +1 (949) 215-4996
Email: sales.support@microsemi.com
www.microsemi.com

© 2018 Microsemi Corporation. All rights reserved. Microsemi and the Microsemi logo are trademarks of Microsemi Corporation. All other trademarks and service marks are the property of their respective owners.

Microsemi makes no warranty, representation, or guarantee regarding the information contained herein or the suitability of its products and services for any particular purpose, nor does Microsemi assume any liability whatsoever arising out of the application or use of any product or circuit. The products sold hereunder and any other products sold by Microsemi have been subject to limited testing and should not be used in conjunction with mission-critical equipment or applications. Any performance specifications are believed to be reliable but are not verified, and Buyer must conduct and complete all performance and other testing of the products, alone and together with, or installed in, any end-products. Buyer shall not rely on any data and performance specifications or parameters provided by Microsemi. It is the Buyer's responsibility to independently determine suitability of any products and to test and verify the same. The information provided by Microsemi hereunder is provided "as is, where is" and with all faults, and the entire risk associated with such information is entirely with the Buyer. Microsemi does not grant, explicitly or implicitly, to any party any patent rights, licenses, or any other IP rights, whether with regard to such information itself or anything described by such information. Information provided in this document is proprietary to Microsemi, and Microsemi reserves the right to make any changes to the information in this document or to any products and services at any time without notice.

Microsemi Corporation (Nasdaq: MSCC) offers a comprehensive portfolio of semiconductor and system solutions for aerospace & defense, communications, data center and industrial markets. Products include high-performance and radiation-hardened analog mixed-signal integrated circuits, FPGAs, SoCs and ASICs; power management products; timing and synchronization devices and precise time solutions, setting the world's standard for time; voice processing devices; RF solutions; discrete components; enterprise storage and communication solutions; security technologies and scalable anti-tamper products; Ethernet solutions; Power-over-Ethernet ICs and midspans; as well as custom design capabilities and services. Microsemi is headquartered in Aliso Viejo, California, and has approximately 4,800 employees globally. Learn more at www.microsemi.com.

053-4239

Mouser Electronics

Authorized Distributor

Click to View Pricing, Inventory, Delivery & Lifecycle Information:

[Microsemi:](#)

[APT30DQ100BG](#)