

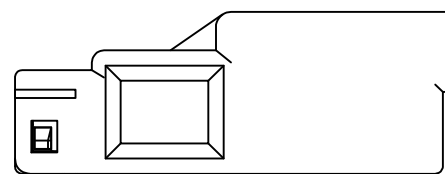
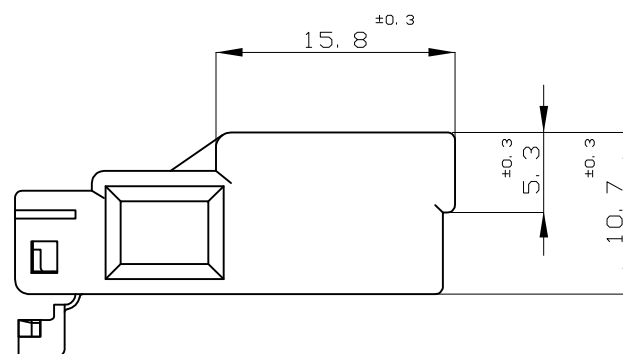
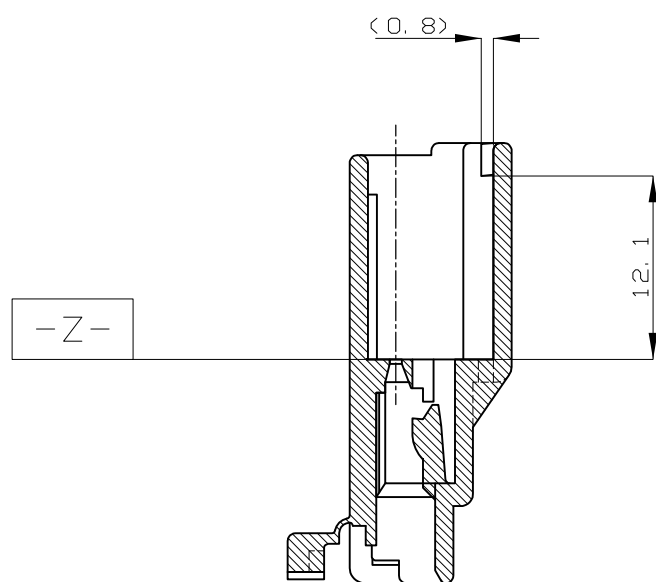
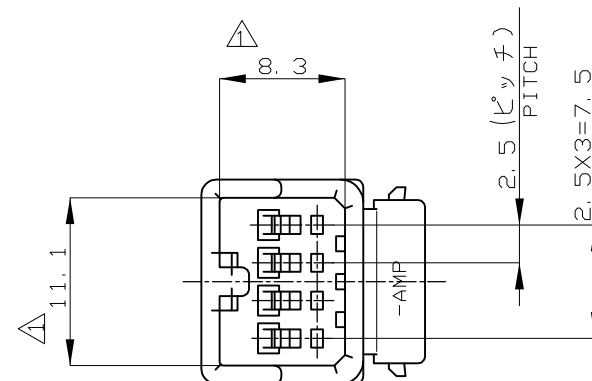
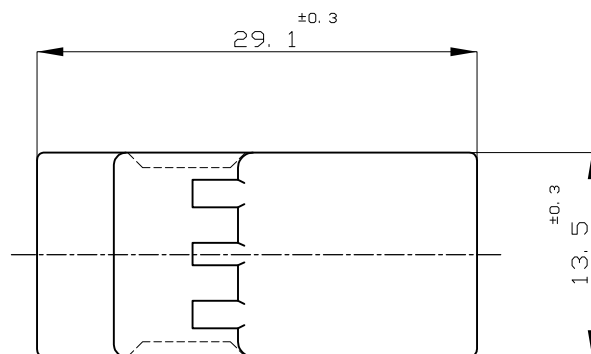
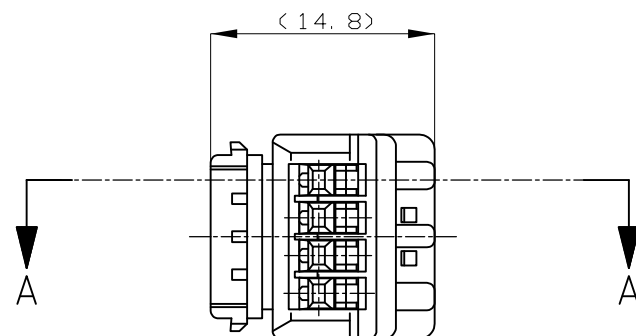
THIS DRAWING IS UNPUBLISHED.

RELEASED FOR PUBLICATION

ALL RIGHTS RESERVED.

© COPYRIGHT - By -

LOC	DIST	REVISIONS		
		P	LTR	DESCRIPTION
J	-	B2	REVISED PER ECO-11-005140	DATE: 28MAR11 DWN: RK APVD: HMR



A-A

二重ロック時
DOUBLE LOCKED

- △ TO BE MEASURED WITHIN 2mm FROM [-Z-]
- 2. THE MEATING PLUG HOUSING PART NUMBER; 174966
- 3. APPLICABLE CONTACT PART NUMBER, 173682

- △ [-Z-] 面から 2mm の範囲で測定
- 2. 相手側ハウジング型番; 174966
- 3. 適用端子型番、 173682

青 (BLUE)	174967-5
緑 (GREEN)	174967-4
黒 (BLACK)	174967-2
色 (COLOR)	製品型番 (PART NO.)

TOLERANCE UNLESS OTHERWISE SPECIFIED:
一般公差

0 < x ≤ 10	: ±0.2
10 < x ≤ 30	: ±0.25
30 < x ≤ 100	: ±0.3
ANGLE ; 角度	: ±3°

THIS DRAWING IS A CONTROLLED DOCUMENT.

DIMENSIONS: 単位: 耗 mm	TOLERANCES UNLESS OTHERWISE SPECIFIED: 一般公差
	0 PLC ± -
	1 PLC ± -
	2 PLC ± -
	3 PLC ± -
	4 PLC ± -
	ANGLES ± -
MATERIAL 材料 PBT	FINISH 仕上 -

DWN	M.SUGAWARA	02AUG06
CHK	K.BETSUI	02AUG06
APVD	K.BETSUI	02AUG06
PRODUCT SPEC	製品規格 108-5352	
APPLICATION SPEC	取付適用規格	
WEIGHT	-	
CUSTOMER DRAWING		

STE TE Connectivity			
4POSITION CAP HOUSING 040SERIES MULTI-LOCK CONNECTOR			
SIZE	CAGE CODE	DRAWING NO 番号	RESTRICTED TO
A3	00779	G-174967	-
SCALE 尺度 2:1		SHEET 1 OF 1	REV B2

Mouser Electronics

Authorized Distributor

Click to View Pricing, Inventory, Delivery & Lifecycle Information:

[TE Connectivity:](#)

[174967-2](#)