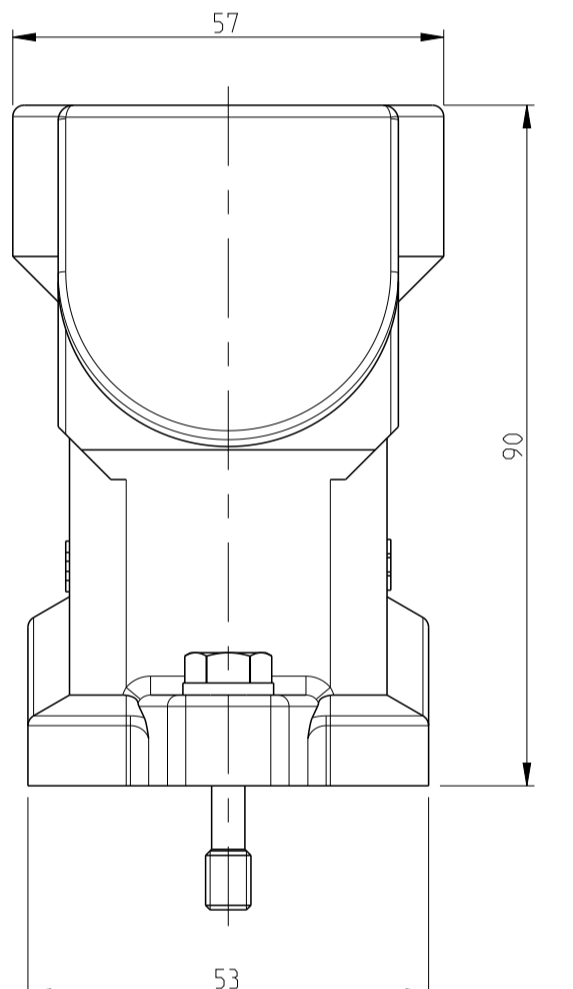
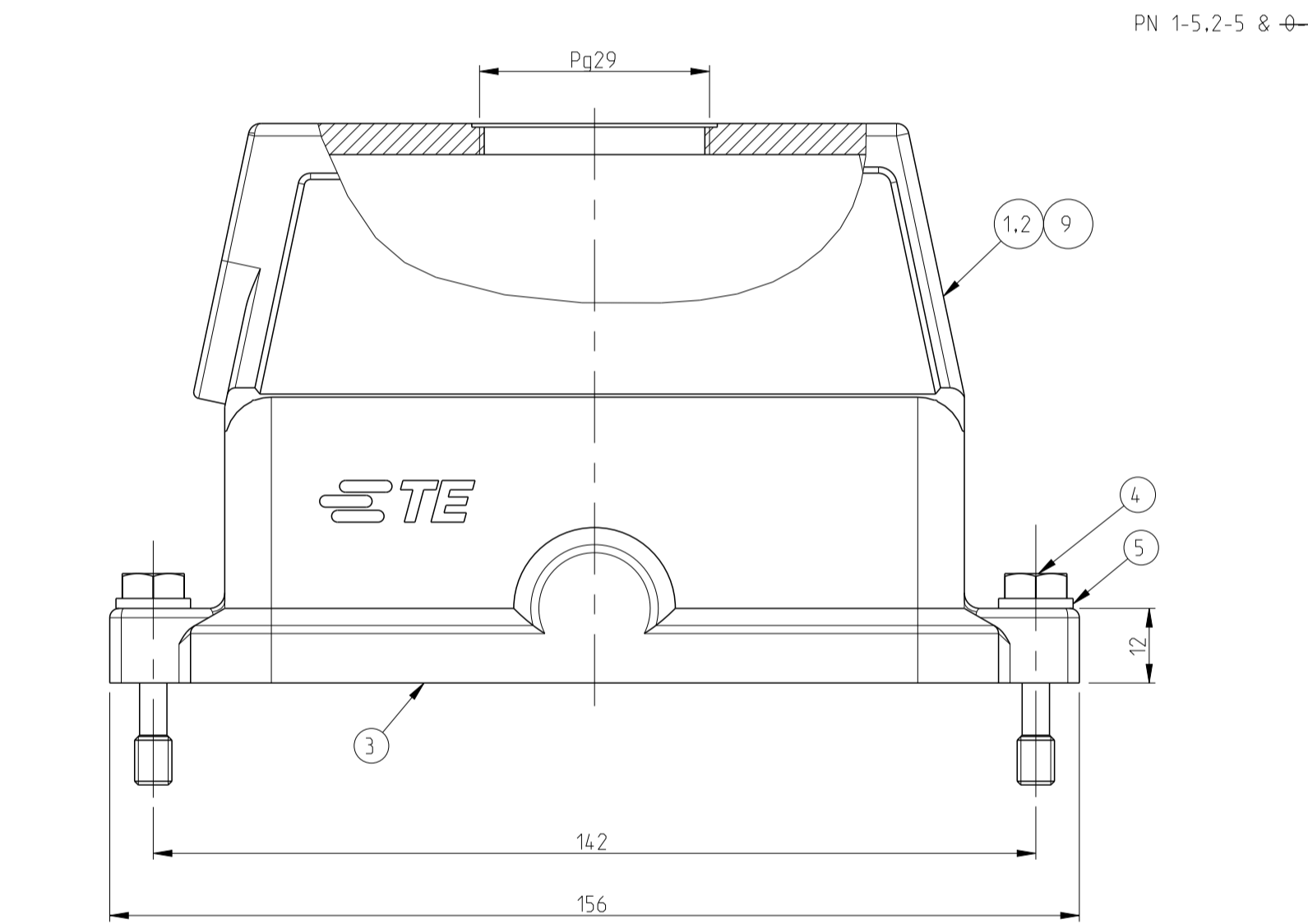
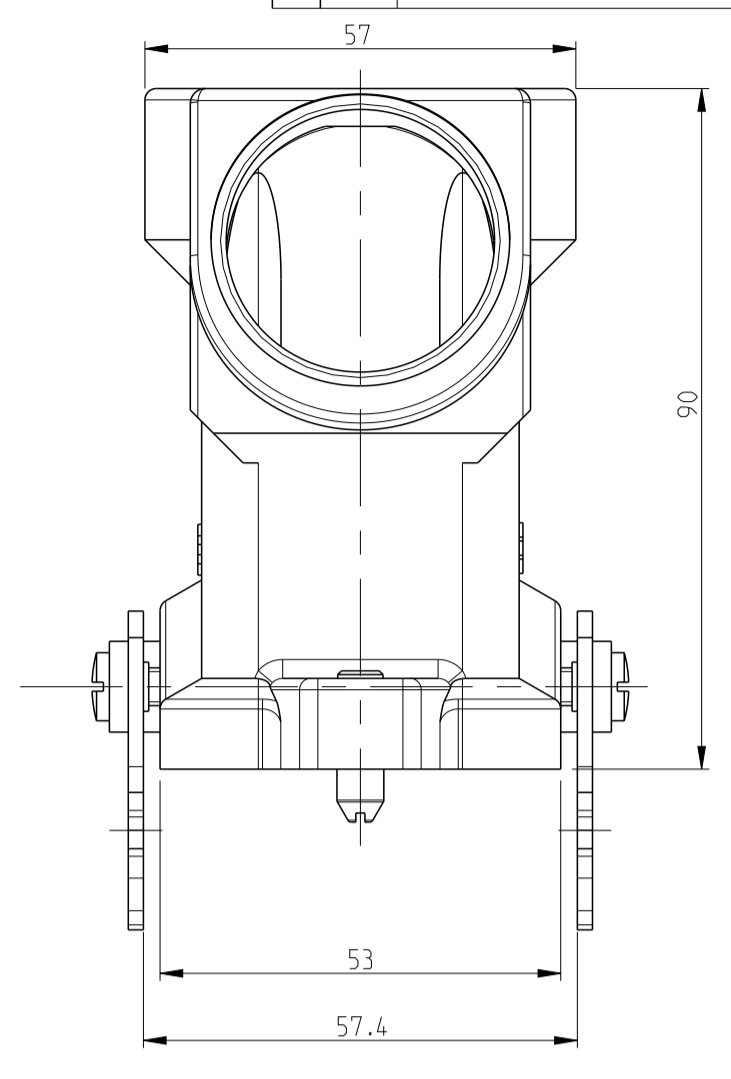
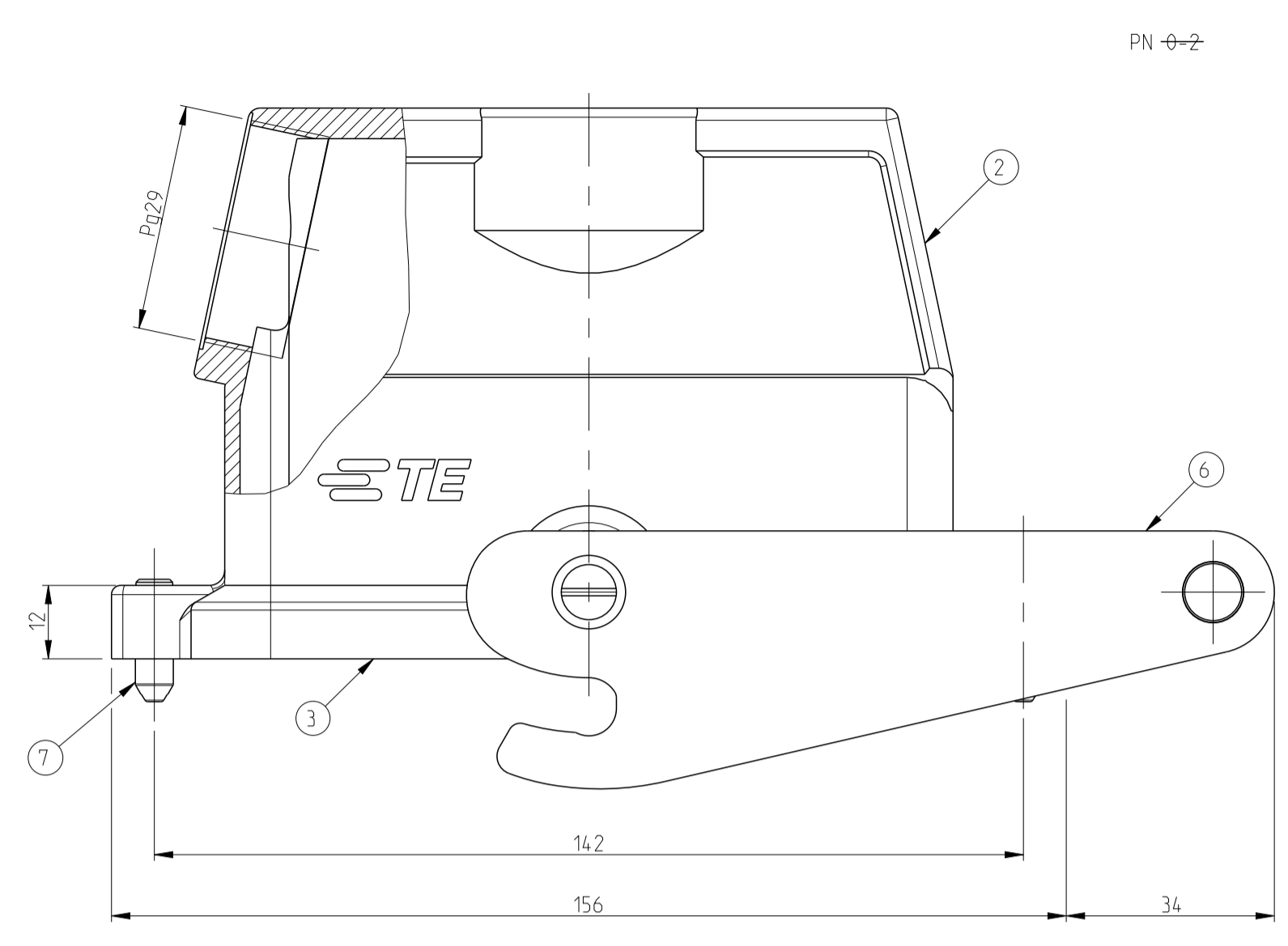
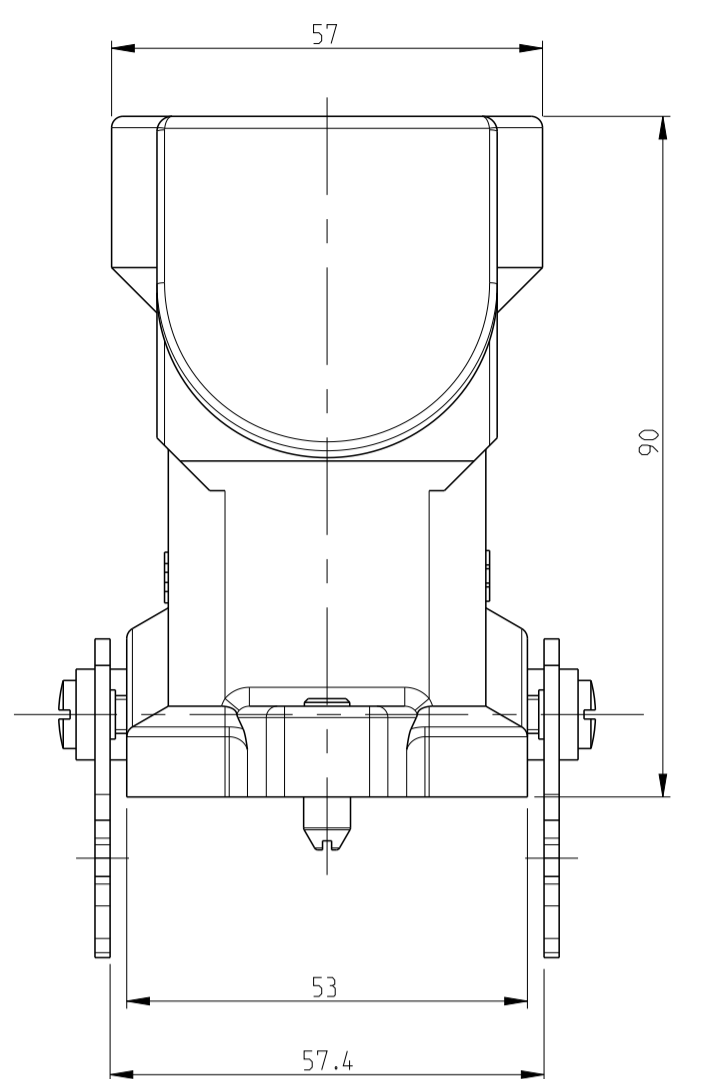
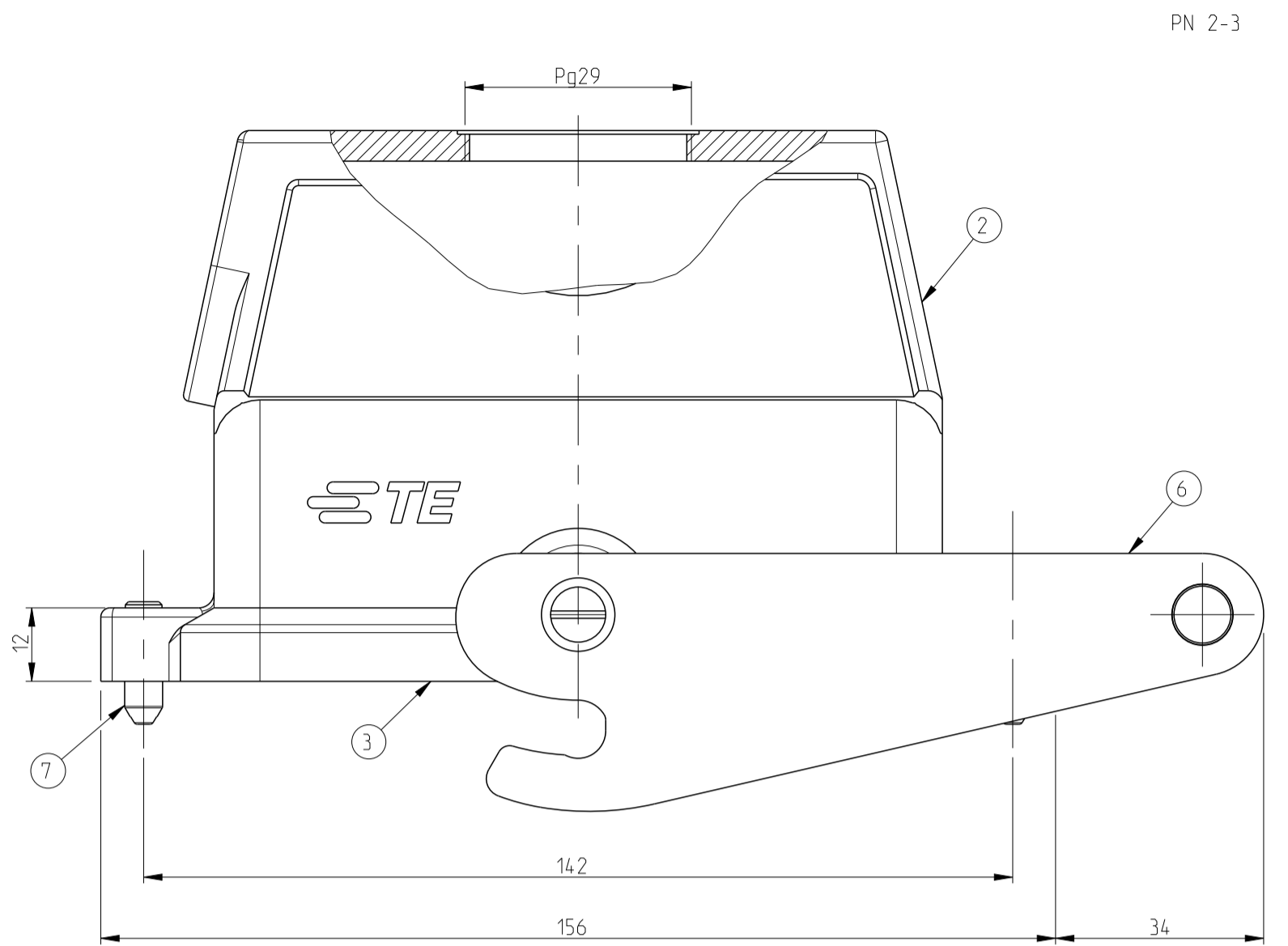
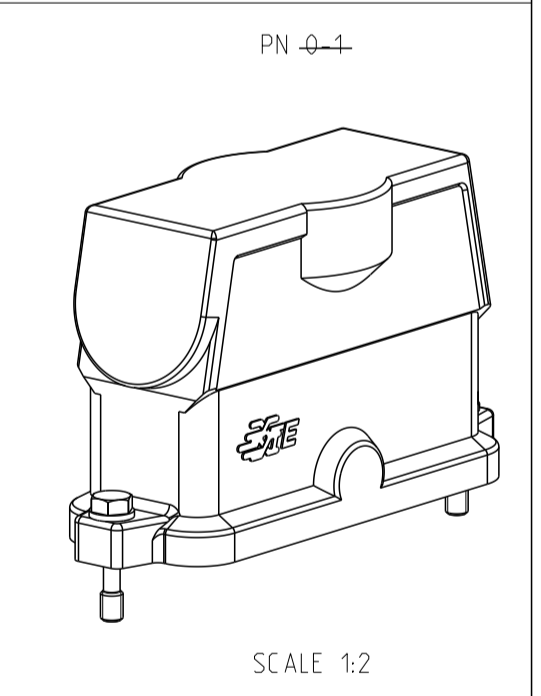
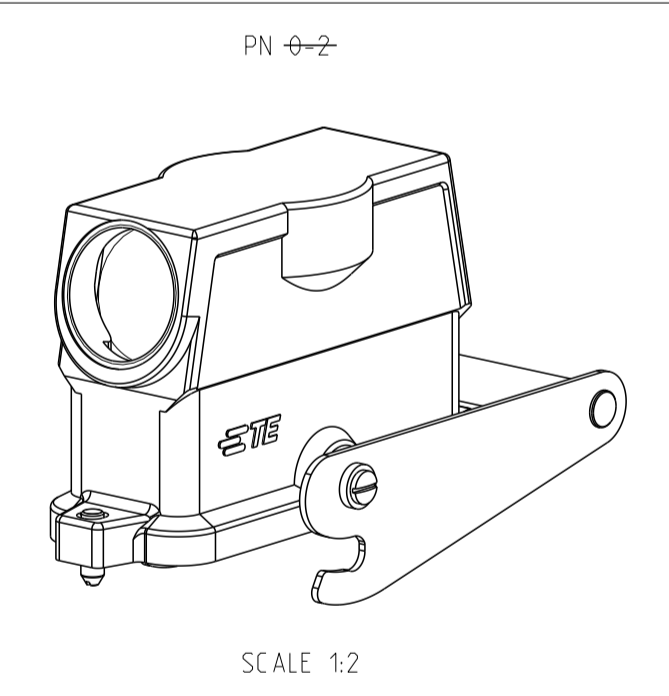
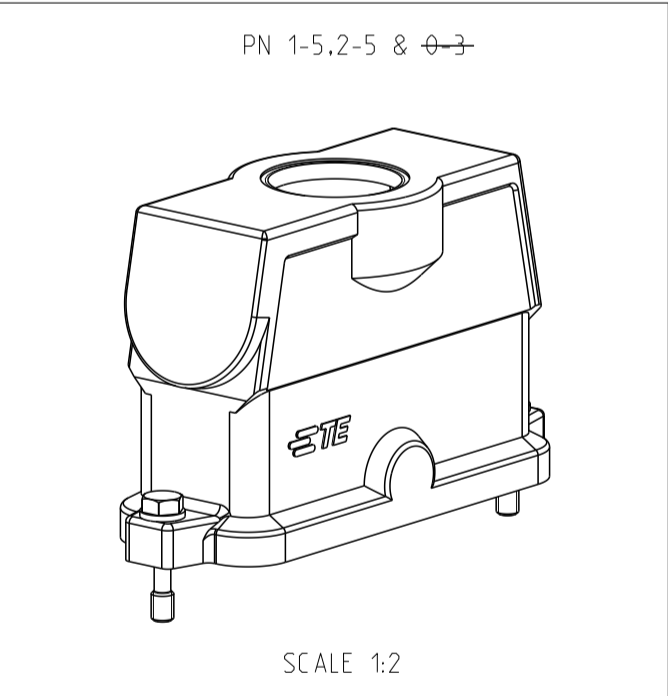
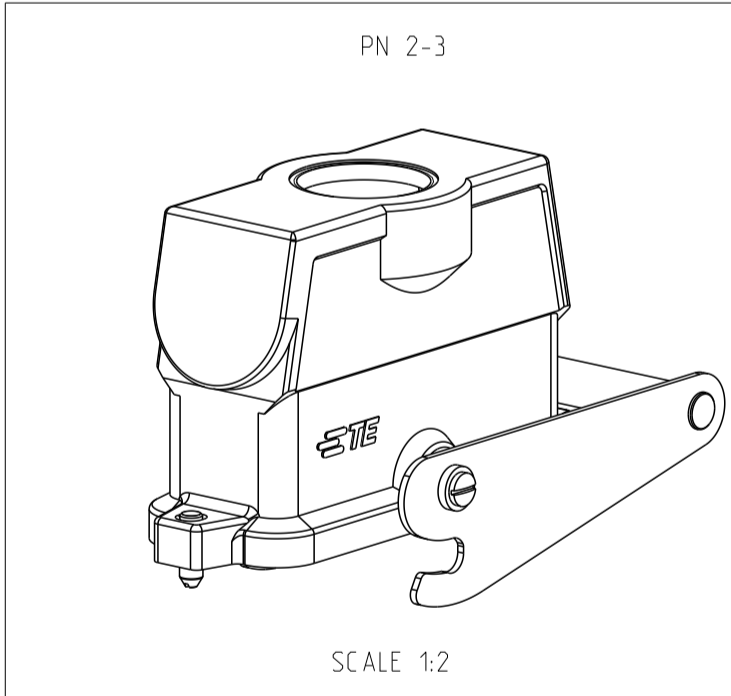
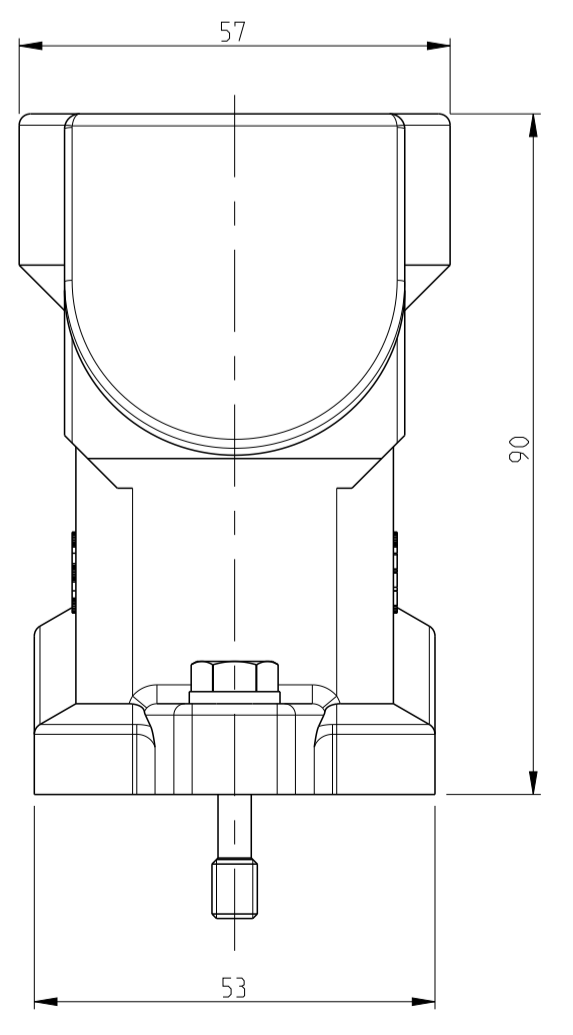
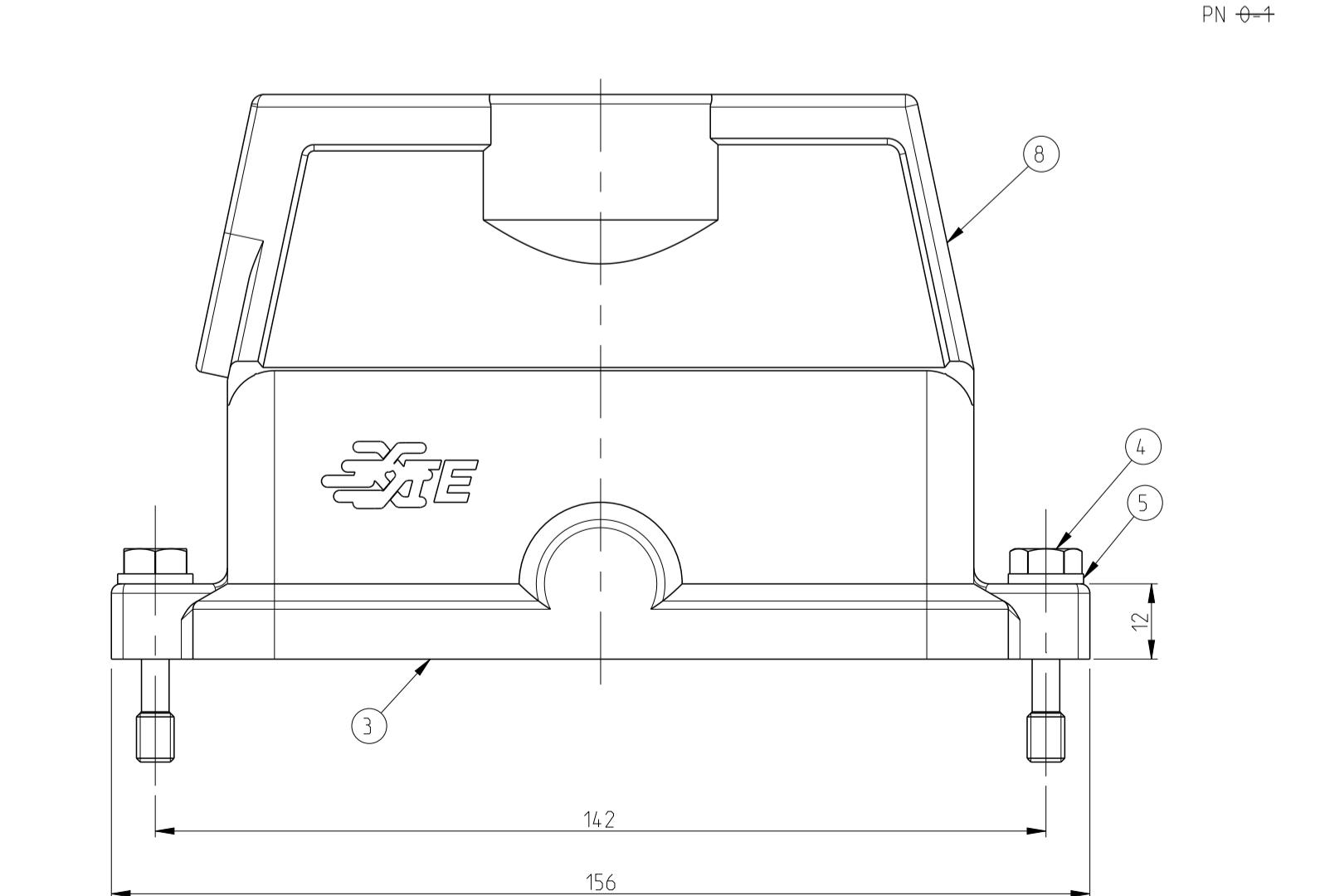


REVISIONS				
P	LTN	DESCRIPTION	DATE	DMN APVD
B6		Released as per ECR-07-030419	17.12.07	SP TS
B7		ECR-16-015318	20SEP2017	GR MKO



- NOTES
- 1 Material: Housing: Aluminium Diecasting Alloy
Seals: Neoprene
 - 2 Surface: varnish-grey
Aluminium oxide-
Varnish black
 - 3 Varnish on the inside not necessary
 - 4 Packaging quantity: 5 pieces in a box



QTY	DESCRIPTION	MATERIAL	SURFACE	COLOR	ITEM NO	REMARKS
1	Hood HIP	Aluminium		No varnish	9	Without varnish
1	Hood HIP-K	Aluminium	Aluminium oxide	Black	8	Sonder logo without PG-Thread
2	Guide bolt	Stainless steel		Blank	7	
1	ZB-Central clip	Stainless steel		Blank	6	
2	Spring washer	Stainless steel		Blank	5	B6.4
2	Fixing screw	Stainless steel		Blank	4	M6x30
1	Seal	Neoprene		Black	3	
1	Hood HIP-K	Aluminium	Aluminium oxide	Black	2	
1	Hood HIP	Aluminium		Grey	1	

ORDERING TEXT
 HIP-K/Z.24/64.STO-ZB.1.29.G
 HIP.24/64.STO.1.29.G
 HIP-K.24/64.STO.1.29.G
 HIP-K/Z.24/64.STS-ZB.1.29.G
 HIP.24/64.STO.1.29.G

THIS DRAWING IS A CONTROLLED DOCUMENT. DMN 24.06.1998
 CHK 24.06.1998

STE TE Connectivity

NAME: Hood
 HIP-K.24/64.STO.1.29.G

PRODUCT SPEC: 108-74030
 APPLICATION SPEC: 114-74017

WEIGHT: -
 MATERIAL: -

SCALE: 1:1 SHEET 1 OF 1 REV: 37

Mouser Electronics

Authorized Distributor

Click to View Pricing, Inventory, Delivery & Lifecycle Information:

[TE Connectivity:](#)

[2-1102664-5](#)