

TPA3111D1-Q1 10-W Filter-Free Mono Class-D Audio Power Amplifier With SpeakerGuard™

1 Features

- Qualified for Automotive Applications
- AEC-Q100 Qualified with the Following Results:
 - Device Temperature Grade 1: -40°C to 125°C Ambient Operating Temperature Range
 - Device HBM ESD Classification Level H2
 - Device CDM ESD Classification Level C2
- 10-W into an 8- Ω Load at 10% THD+N from a 12-V Supply
- 7-W into a 4- Ω Load at 10% THD+N from an 8-V Supply
- 94% Efficient Class-D Operation into 8- Ω Load Eliminates Need for Heat Sinks
- Wide Supply Voltage Range Allows Operation from 8 to 26 V
- Filter-Free Operation
- SpeakerGuard™ Speaker Protection Includes Adjustable Power Limiter Plus DC Protection
- Flow Through Pin Out Facilitates Easy Board Layout
- Robust Pin-to-Pin Short-Circuit Protection and Thermal Protection with Auto-Recovery Option
- Excellent THD+N and Pop Free Performance
- Four Selectable Fixed Gain Settings
- Differential Inputs

2 Applications

- Automotive Noise Generation for HEV/EV
- Automotive Emergency Call (eCall) Systems
- Automotive Infotainment Systems (Head Unit, Cluster, Telematics, Navigation)
- Automotive Connectivity Gateway
- Professional Audio Equipment (PA Speakers, Studio Headphones, Performance Amplifiers, Premium Microphones)
- Aerospace and Aviation Audio Systems

3 Description

The TPA3111D1-Q1 device is a 10-W efficient, Class-D audio power amplifier for driving a bridge tied speaker. Advanced EMI suppression technology enables the use of inexpensive ferrite bead filters at the outputs while meeting EMC requirements. SpeakerGuard™ protection circuitry includes an adjustable power limiter and a DC detection circuit. The adjustable power limiter allows the user to set a virtual voltage rail lower than the chip supply to limit the amount of current through the speaker. The DC-detect circuit measures the frequency and amplitude of the PWM signal and shuts off the output stage if the input capacitors are damaged or shorts exist on the inputs.

The TPA3111D1-Q1 device can drive a mono speaker as low as 4 Ω . The high efficiency of the TPA3111D1-Q1 device, > 90%, eliminates the need for an external heat sink when playing music.

The outputs are fully protected against shorts to GND, V_{CC} , and output-to-output. The short-circuit protection and thermal protection includes an auto-recovery feature.

Device Information⁽¹⁾

PART NUMBER	PACKAGE	BODY SIZE (NOM)
TPA3111D1-Q1	HTSSOP (28)	9.70 mm x 4.40 mm

(1) For all available packages, see the orderable addendum at the end of the data sheet.

Simplified Application Diagram

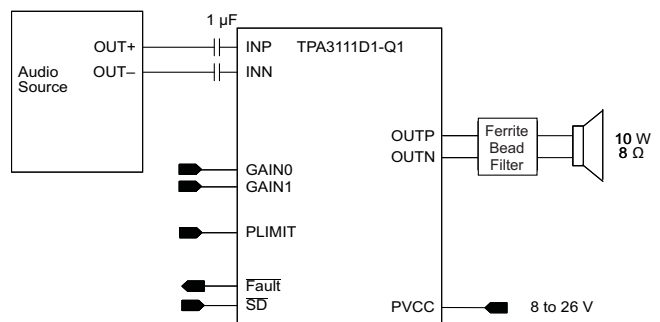


Table of Contents

1 Features	1	7.2 Functional Block Diagram	11
2 Applications	1	7.3 Feature Description	11
3 Description	1	7.4 Device Functional Modes	12
4 Revision History	2	8 Application and Implementation	15
5 Pin Configuration and Functions	3	8.1 Application Information	15
6 Specifications	4	8.2 Typical Application	15
6.1 Absolute Maximum Ratings	4	9 Power Supply Recommendations	21
6.2 ESD Ratings	4	10 Layout	21
6.3 Recommended Operating Conditions	4	10.1 Layout Guidelines	21
6.4 Thermal Information	5	10.2 Layout Example	22
6.5 DC Characteristics: $V_{CC} = 24\text{ V}$	5	11 Device and Documentation Support	23
6.6 DC Characteristics: $V_{CC} = 12\text{ V}$	5	11.1 Documentation Support	23
6.7 AC Characteristics: $V_{CC} = 24\text{ V}$	6	11.2 Community Resources	23
6.8 AC Characteristics: $V_{CC} = 12\text{ V}$	6	11.3 Trademarks	23
6.9 Typical Characteristics	7	11.4 Electrostatic Discharge Caution	23
7 Detailed Description	10	11.5 Glossary	23
7.1 Overview	10	12 Mechanical, Packaging, and Orderable Information	23

4 Revision History

NOTE: Page numbers for previous revisions may differ from page numbers in the current version.

Changes from Revision D (August 2015) to Revision E Page

- Updated active-low pin names to include the overbar throughout the document **10**

Changes from Revision C (December 2012) to Revision D Page

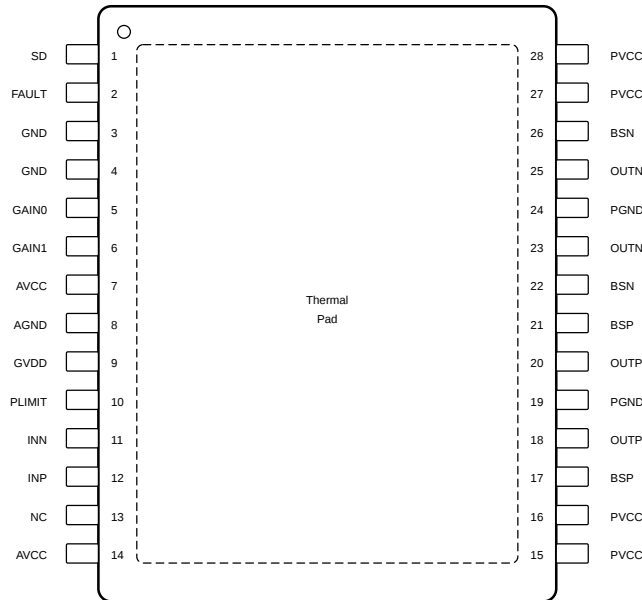
- Added *ESD Ratings* table, *Feature Description* section, *Device Functional Modes*, *Application and Implementation* section, *Power Supply Recommendations* section, *Layout* section, *Device and Documentation Support* section, and *Mechanical, Packaging, and Orderable Information* section **1**

Changes from Revision B (September 2012) to Revision C Page

- Changed AEC-Q100-003 to per JESD22-A115 in Abs Max table. **4**
- Changed T_A from 25°C to –40°C to 125°C..... **5**
- Changed T_A from 25°C to –40°C to 125°C..... **5**
- Changed T_A from 25°C to –40°C to 125°C..... **6**
- Changed T_A from 25°C to –40°C to 125°C..... **6**

5 Pin Configuration and Functions

**PWP Package
28-Pin HSSOP With PowerPAD™
Top View**



Pin Functions

PIN		TYPE	DESCRIPTION
NAME	NO.		
AGND	8	—	Analog supply ground, connect to the thermal pad.
AVCC	7	P	Analog supply
AVCC	14	P	Connect AVCC supply to this pin
BSN	22, 26	I	Bootstrap I/O for negative high-side FET
BSP	17, 21	I	Bootstrap I/O for positive high-side FET
$\overline{\text{FAULT}}$	2	O	Open drain output used to display short circuit or DC-detect fault status. Voltage compliant to AVCC. Short circuit faults can be set to auto-recovery by connecting $\overline{\text{FAULT}}$ pin to SD pin. Otherwise both short circuit faults and DC-detect faults must be reset by cycling PVCC.
GAIN0	5	I	Gain select least significant bit. TTL logic levels with compliance to AVCC.
GAIN1	6	I	Gain select most significant bit. TTL logic levels with compliance to AVCC.
GND	3, 4	—	Connect to local ground
GVDD	9	O	High-side FET gate drive supply, nominal voltage is 7 V. This pin can also be used as supply for PLIMIT divider. Add a 1- μF capacitor to ground at this pin.
INN	11	I	Negative audio input, biased at 3 V.
INP	12	I	Positive audio input, biased at 3 V.
NC	13	—	Not connected
OUTN	23, 25	O	Class-D H-bridge negative output
OUTP	18, 20	O	Class-D H-bridge positive output
PGND	19, 24	—	Power ground for the H-bridges
PLIMIT	10	I	Power limit level adjust. Connect directly to GVDD pin for no power limiting. Add a 1- μF capacitor to ground at this pin.
PVCC	15, 16, 27, 28	P	Power supply for H-bridge. PVCC pins are also connected internally.
$\overline{\text{SD}}$	1	I	Shutdown logic input for audio amplifier (LOW = outputs Hi-Z, HIGH = outputs enabled). TTL logic levels with compliance to AVCC.

6 Specifications

6.1 Absolute Maximum Ratings

over operating free-air temperature range (unless otherwise noted)⁽¹⁾

			MIN	MAX	UNIT
V _{CC}	Supply voltage	AVCC, PVCC	-0.3	30	V
V _I	Interface pin voltage	\overline{SD} , \overline{FAULT} , GAIN0, GAIN1, AVCC ⁽²⁾	-0.3	V _{CC} + 0.3 V	V
		PLIMIT		< 10	V/ms
		INN, INP	-0.3	GVDD + 0.3	V
Continuous total power dissipation			See Thermal Information		
R _L	Minimum load resistance	BTL		3.2	
T _A	Operating free-air temperature range		-40	125	°C
T _J	Operating junction temperature range ⁽³⁾		-40	150	°C
T _{stg}	Storage temperature range		-65	150	°C

- (1) Stresses beyond those listed under *absolute maximum ratings* may cause permanent damage to the device. These are stress ratings only, and functional operations of the device at these or any other conditions beyond those indicated under *recommended operating conditions* is not implied. Exposure to absolute-maximum-rated conditions for extended periods may affect device reliability.
- (2) The voltage slew rate of these pins must be restricted to no more than 10 V/ms. For higher slew rates, use a 100-kΩ resistor in series with the pins, per application note [SLUA626](#).
- (3) The TPA3111D1-Q1 incorporates an exposed thermal pad on the underside of the chip. This acts as a heatsink, and it must be connected to a thermally dissipating plane for proper power dissipation. Failure to do so may result in the device going into thermal protection shutdown. See TI Technical Brief [SLMA002](#) for more information about using the PowerPAD.

6.2 ESD Ratings

		VALUE	UNIT
V _(ESD)	Electrostatic discharge	Human-body model (HBM), per AEC Q100-002 ⁽¹⁾	±4000
		Charged-device model (CDM), per AEC Q100-011	±250
		Machine model	±200

- (1) AEC Q100-002 indicates that HBM stressing shall be in accordance with the ANSI/ESDA/JEDEC JS-001 specification.

6.3 Recommended Operating Conditions

over operating free-air temperature range (unless otherwise noted)

			MIN	MAX	UNIT
V _{CC}	Supply voltage	PVCC, AVCC	8	26	V
V _{IH}	High-level input voltage	\overline{SD} , GAIN0, GAIN1	2		V
V _{IL}	Low-level input voltage	\overline{SD} , GAIN0, GAIN1		0.8	V
V _{OL}	Low-level output voltage	\overline{FAULT} , R _{PULLUP} = 100 kΩ, V _{CC} = 26 V		0.8	V
I _{IH}	High-level input current	\overline{SD} , GAIN0, GAIN1, V _I = 2, V _{CC} = 18 V		50	μA
I _{IL}	Low-level input current	\overline{SD} , GAIN0, GAIN1, V _I = 0.8 V, V _{CC} = 18 V		5	μA
T _A	Operating free-air temperature		-40	125	°C

6.4 Thermal Information

THERMAL METRIC ⁽¹⁾		TPA3111D1-Q1	UNIT
		PWP (HTSSOP)	
		28 PINS	
R _{θJA}	Junction-to-ambient thermal resistance	30.3	°C/W
R _{θJC(top)}	Junction-to-case (top) thermal resistance	33.5	°C/W
R _{θJB}	Junction-to-board thermal resistance	17.5	°C/W
ψ _{JT}	Junction-to-top characterization parameter	0.9	°C/W
ψ _{JB}	Junction-to-board characterization parameter	7.2	°C/W
R _{θJC(bot)}	Junction-to-case (bottom) thermal resistance	0.9	°C/W

(1) For more information about traditional and new thermal metrics, see the *Semiconductor and IC Package Thermal Metrics* application report, [SPRA953](#).

6.5 DC Characteristics: V_{CC} = 24 V

T_A = -40°C to 125°C, R_L = 8 Ω (unless otherwise noted)

PARAMETER		TEST CONDITIONS	MIN	TYP	MAX	UNIT	
V _{OS}	Class-D output offset voltage (measured differentially)	V _I = 0 V, Gain = 36 dB		1.5	15	mV	
I _{CC}	Quiescent supply current	\overline{SD} = 2 V, no load, PVCC = 21 V		40		mA	
I _{CC(SD)}	Quiescent supply current in shutdown mode	\overline{SD} = 0.8 V, no load, PVCC = 21 V		400		μA	
r _{DS(on)}	Drain-source on-state resistance	I _O = 500 mA, T _J = 25°C				mΩ	
		High side		240			
				240			
G	Gain	GAIN1 = 0.8 V	GAIN0 = 0.8 V	19	20	21	dB
			GAIN0 = 2 V	25	26	27	
		GAIN1 = 2 V	GAIN0 = 0.8 V	31	32	33	
			GAIN0 = 2 V	35	36	37	
t _{ON}	Turnon time	\overline{SD} = 2 V		10		ms	
t _{OFF}	Turnoff time	\overline{SD} = 0.8 V		2		μs	
GVDD	Gate drive supply	I _{GVDD} = 2 mA	6.5	6.9	7.3	V	

6.6 DC Characteristics: V_{CC} = 12 V

T_A = -40°C to 125°C, R_L = 8 Ω (unless otherwise noted)

PARAMETER		TEST CONDITIONS	MIN	TYP	MAX	UNIT	
V _{OS}	Class-D output offset voltage (measured differentially)	V _I = 0 V, Gain = 36 dB		1.5	15	mV	
I _{CC}	Quiescent supply current	\overline{SD} = 2 V, no load, PVCC = 12 V		20		mA	
I _{CC(SD)}	Quiescent supply current in shutdown mode	\overline{SD} = 0.8 V, no load, PVCC = 12 V		200		μA	
r _{DS(on)}	Drain-source on-state resistance	I _O = 500 mA, T _J = 25°C				mΩ	
		High side		240			
				240			
G	Gain	GAIN1 = 0.8 V	GAIN0 = 0.8 V	19	20	21	dB
			GAIN0 = 2 V	25	26	27	
		GAIN1 = 2 V	GAIN0 = 0.8 V	31	32	33	
			GAIN0 = 2 V	35	36	37	
t _{ON}	Turnon time	\overline{SD} = 2 V		10		ms	
t _{OFF}	Turnoff time	\overline{SD} = 0.8 V		2		μs	
GVDD	Gate drive supply	I _{GVDD} = 2 mA	6.5	6.9	7.3	V	
PLIMIT	Output voltage maximum under PLIMIT control	V _{PLIMIT} = 2 V; V _I = 6-V differential	6.75	7.90	8.75	V	

6.7 AC Characteristics: $V_{CC} = 24\text{ V}$

 $T_A = -40^\circ\text{C}$ to 125°C , $R_L = 8\ \Omega$ (unless otherwise noted)

PARAMETER		TEST CONDITIONS	MIN	TYP	MAX	UNIT
K_{SVR}	Power supply ripple rejection	200 mV _{PP} ripple from 20 Hz–1 kHz, Gain = 20 dB, inputs AC-coupled to AGND		-70		dB
P_O	Continuous output power	THD+N \leq 0.1%, $f = 1\text{ kHz}$, $V_{CC} = 24\text{ V}$		10		W
THD+N	Total harmonic distortion + noise	$V_{CC} = 24\text{ V}$, $f = 1\text{ kHz}$, $P_O = 5\text{ W}$ (half-power)		< 0.05%		
V_n	Output integrated noise	20 Hz to 22 kHz, A-weighted filter, Gain = 20 dB		65		μV
				-80		dBV
	Crosstalk	$V_O = 1\text{ V}_{RMS}$, Gain = 20 dB, $f = 1\text{ kHz}$		-70		dB
SNR	Signal-to-noise ratio	Maximum output at THD+N < 1%, $f = 1\text{ kHz}$, Gain = 20 dB, A-weighted		102		dB
f_{OSC}	Oscillator frequency		250	310	350	kHz
	Thermal trip point			150		$^\circ\text{C}$
	Thermal hysteresis			15		$^\circ\text{C}$

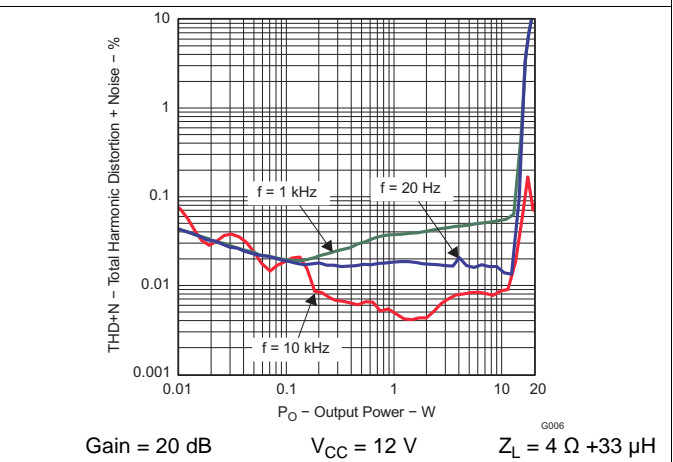
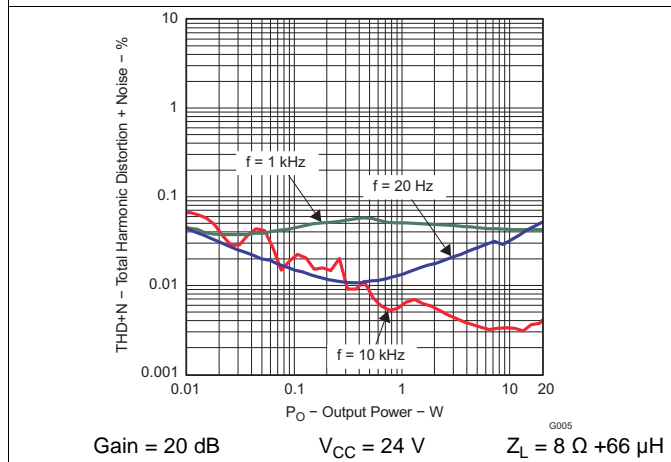
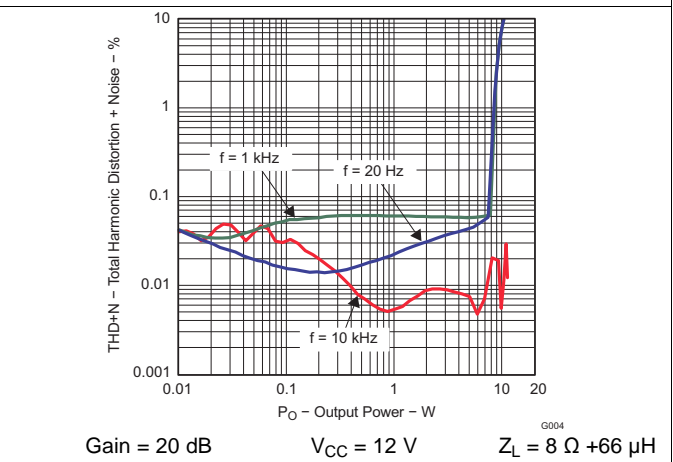
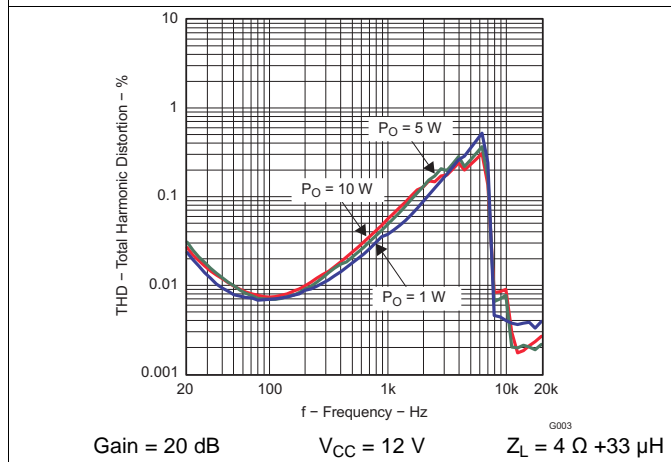
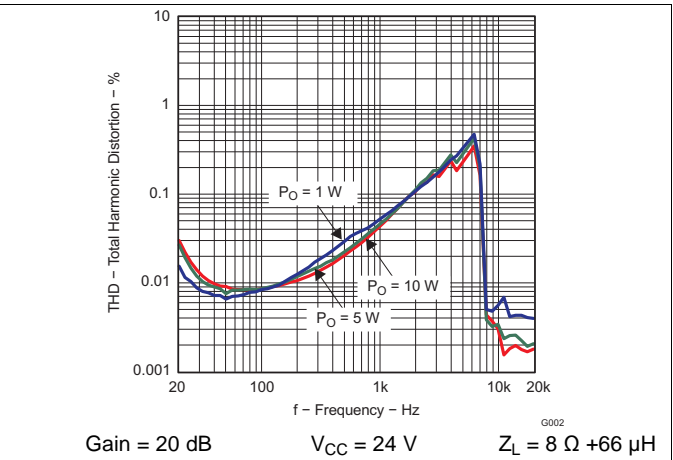
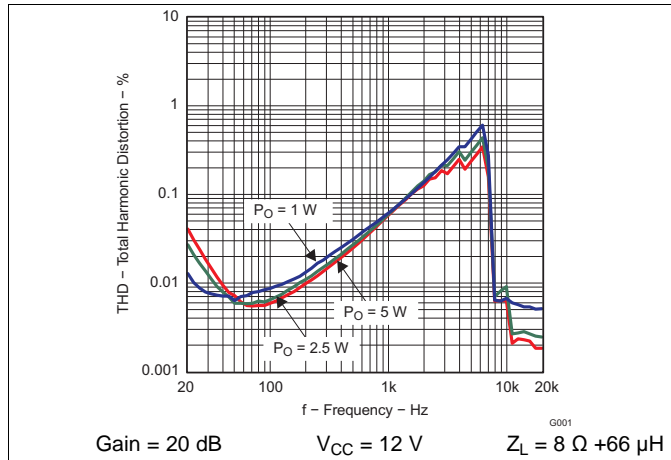
6.8 AC Characteristics: $V_{CC} = 12\text{ V}$

 $T_A = -40^\circ\text{C}$ to 125°C , $R_L = 8\ \Omega$ (unless otherwise noted)

PARAMETER		TEST CONDITIONS	MIN	TYP	MAX	UNIT
K_{SVR}	Supply ripple rejection	200 mV _{PP} ripple from 20 Hz–1 kHz, Gain = 20 dB, inputs AC-coupled to AGND		-70		dB
P_O	Continuous output power	THD+N \leq 10%, $f = 1\text{ kHz}$, $R_L = 8\ \Omega$		10		W
P_O	Continuous output power	THD+N \leq 0.1%, $f = 1\text{ kHz}$, $R_L = 4\ \Omega$		10		W
THD+N	Total harmonic distortion + noise	$R_L = 8\ \Omega$, $f = 1\text{ kHz}$, $P_O = 5\text{ W}$ (half-power)		< 0.06%		
V_n	Output integrated noise	20 Hz to 22 kHz, A-weighted filter, Gain = 20 dB		65		μV
				-80		dBV
	Crosstalk	$P_O = 1\text{ W}$, Gain = 20 dB, $f = 1\text{ kHz}$		-70		dB
SNR	Signal-to-noise ratio	Maximum output at THD+N < 1%, $f = 1\text{ kHz}$, Gain = 20 dB, A-weighted		102		dB
f_{OSC}	Oscillator frequency		250	310	350	kHz
	Thermal trip point			150		$^\circ\text{C}$
	Thermal hysteresis			15		$^\circ\text{C}$

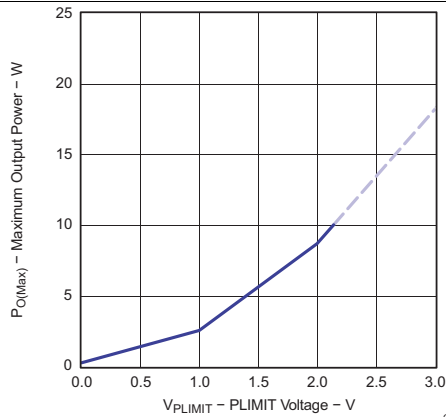
6.9 Typical Characteristics

All measurements taken at 1 kHz, unless otherwise noted, using the TPA3110D2EVM, which is available at ti.com.



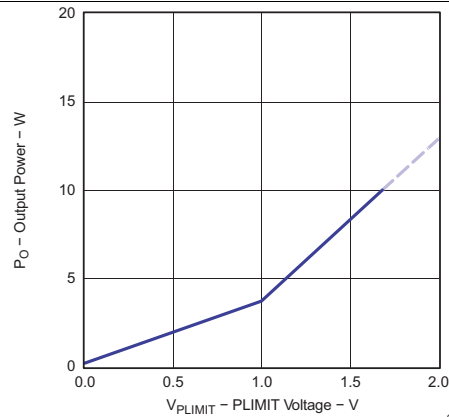
Typical Characteristics (continued)

All measurements taken at 1 kHz, unless otherwise noted, using the TPA3110D2EVM, which is available at ti.com.



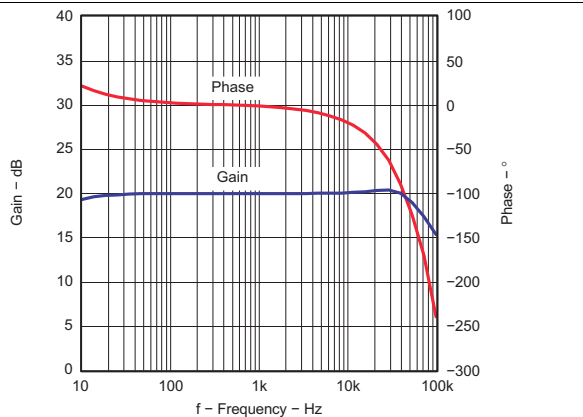
Gain = 20 dB $V_{CC} = 24\text{ V}$ $Z_L = 8\ \Omega +66\ \mu\text{H}$
The dashed line represents thermally limited region.

Figure 7. Maximum Output Power vs PLIMIT Voltage



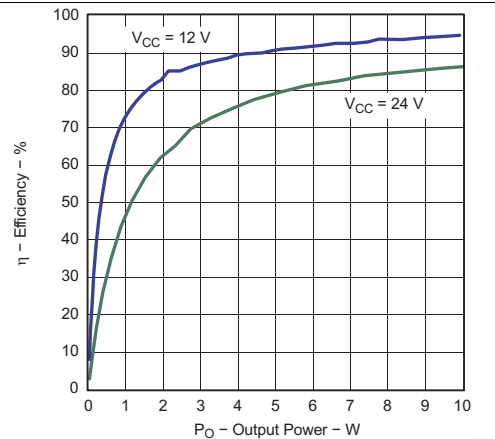
Gain = 20 dB $V_{CC} = 12\text{ V}$ $Z_L = 4\ \Omega +33\ \mu\text{H}$
The dashed line represents thermally limited region.

Figure 8. Output Power vs PLIMIT Voltage



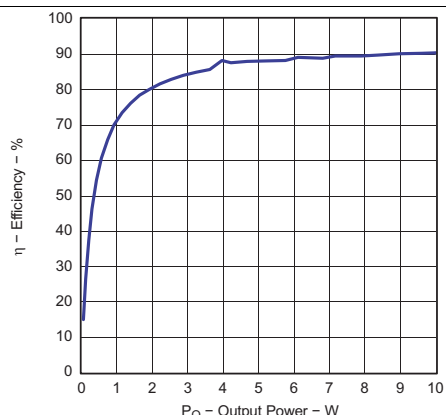
Gain = 20 dB $V_{CC} = 12\text{ V}$ $Z_L = 8\ \Omega +66\ \mu\text{H}$
 $C_1 = 1\ \mu\text{F}$ $V_I = 0.1\text{ V}_{RMS}$
Filter = Audio Precision AUX-0025

Figure 9. Gain/Phase vs Frequency



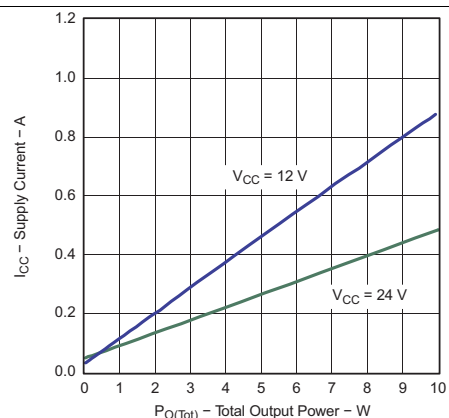
Gain = 20 dB $Z_L = 8\ \Omega +66\ \mu\text{H}$

Figure 10. Efficiency vs Output Power



Gain = 20 dB $V_{CC} = 12\text{ V}$ $Z_L = 4\ \Omega +33\ \mu\text{H}$

Figure 11. Efficiency vs Output Power

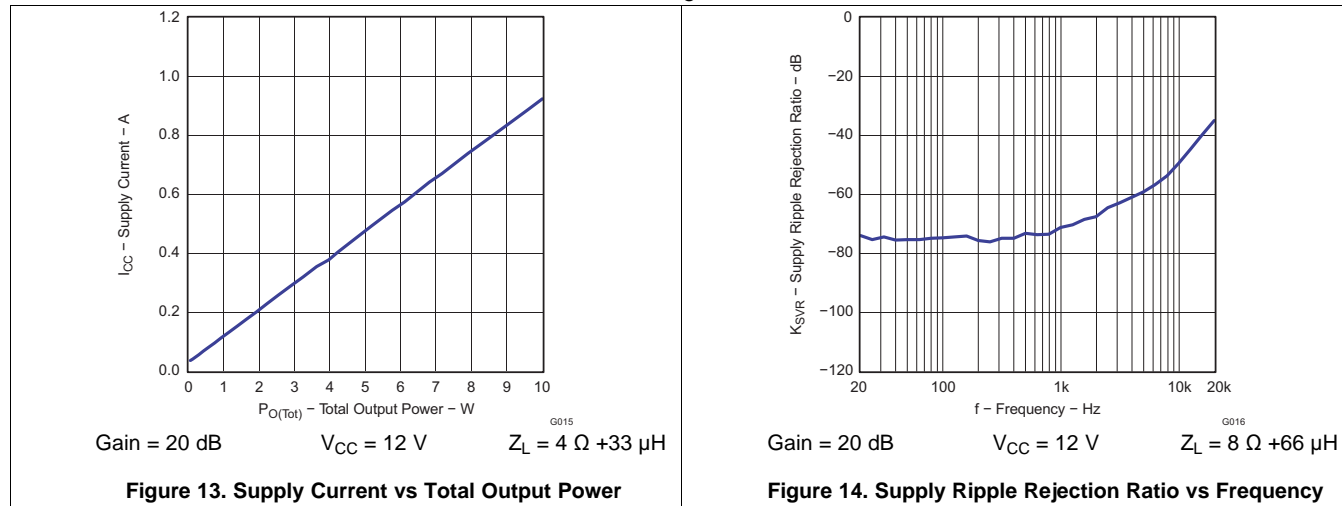


Gain = 20 dB $Z_L = 8\ \Omega +66\ \mu\text{H}$

Figure 12. Supply Current vs Total Output Power

Typical Characteristics (continued)

All measurements taken at 1 kHz, unless otherwise noted, using the TPA3110D2EVM, which is available at ti.com.



7 Detailed Description

7.1 Overview

The TPA3111D1-Q1 device is AEC-Q100 qualified with temperature grade 1 (–40°C to 125°C), HBM ESD classification level H2, and CDM ESD classification level C2 (see the [ESD Ratings](#) table). This automotive audio amplifier also features several protection mechanisms as follows:

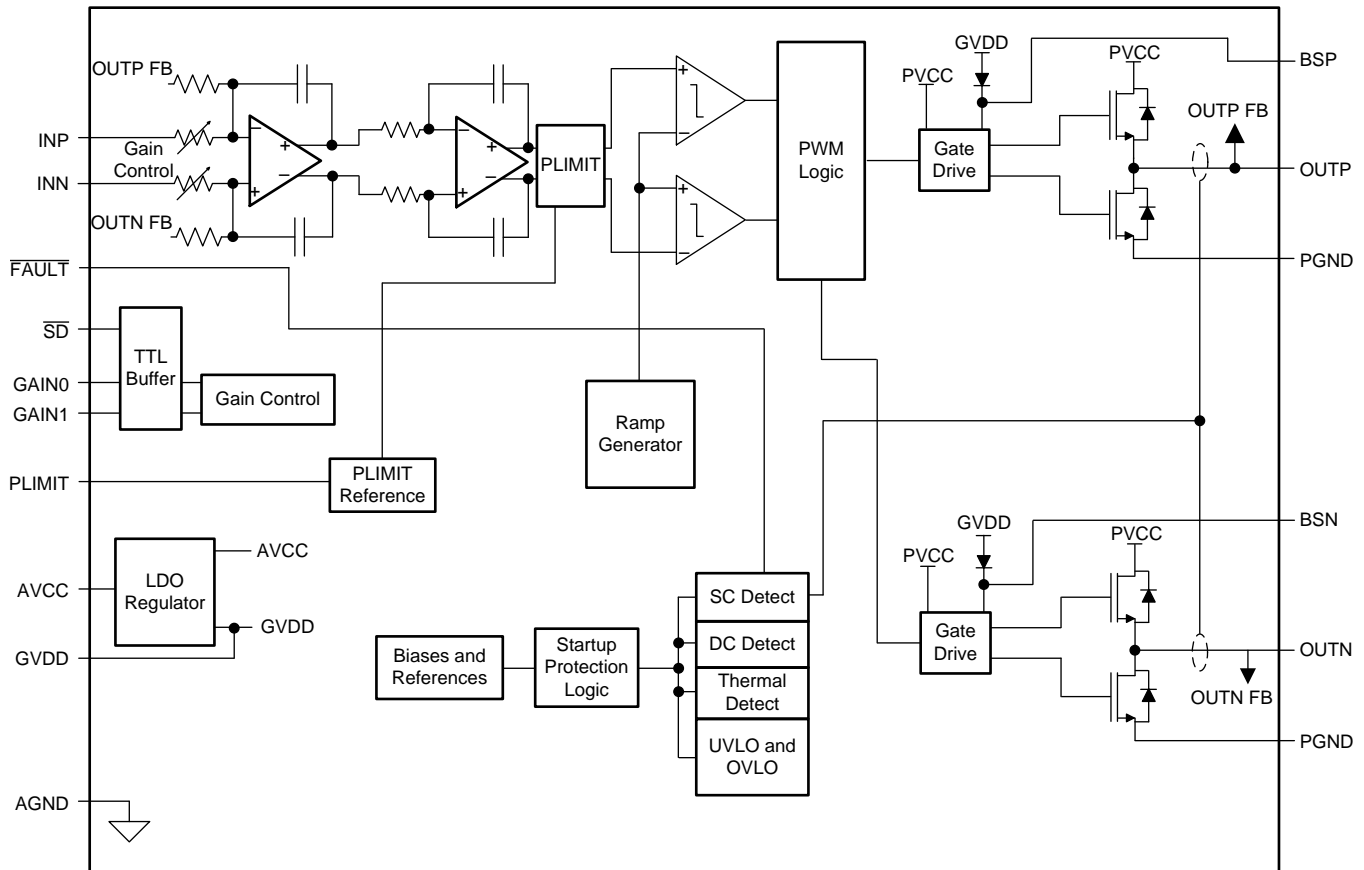
- DC-Current Detection:
 - The TPA3111D1-Q1 device protects speakers from DC current by reporting a fault on the $\overline{\text{FAULT}}$ pin and turning the amplifier outputs to a Hi-Z state when a DC current is detected. The PVCC supply must be cycled to clear this fault.
- Short-Circuit Protection and Automatic Recovery:
 - The TPA3111D1-Q1 device has short circuit protection from the output pins to VCC, GND, or to each other. If a short circuit is detected, it is reported on the $\overline{\text{FAULT}}$ pin and the amplifier outputs switch to a Hi-Z state. The fault can be cleared by cycling the $\overline{\text{SD}}$ pin.
 - To recover automatically from this fault, connect the $\overline{\text{FAULT}}$ pin directly to the $\overline{\text{SD}}$ pin.
- Thermal Protection:
 - When the die temperature exceeds 150°C ($\pm 15^\circ\text{C}$) the device enters the shutdown state and the amplifier outputs are disabled. The TPA3111D1-Q1 device recovers automatically when the temperature decreases by 15°C.

The functional modes of the TPA3111D1-Q1 device are as follows:

- Gain setting:
 - The gain of the TPA3111D1-Q1 device is set to one of four options by the state of the GAIN0 and GAIN1 pins. Changing the gain setting also changes the input impedance of the TPA3111D1-Q1 device.
 - Refer to [Table 2](#) for a list of the gain settings.
- Shutdown Mode:
 - The $\overline{\text{SD}}$ pin can be used to enter the shutdown mode which mutes the amplifier and causes the TPA3111D1-Q1 device to enter a low-current state. This mode can also be triggered to improve power-off pop performance.
- PLIMIT:
 - The PLIMIT pin limits the output peak-to-peak voltage based on the voltage supplied to the PLIMIT pin. The peak output voltage is limited to four times the voltage at the PLIMIT pin.

The [Feature Description](#) and [Device Functional Modes](#) sections provide more details about these functions.

7.2 Functional Block Diagram



7.3 Feature Description

7.3.1 DC Detect

The TPA3111D1-Q1 circuitry protects the speakers from DC current which might occur because of defective capacitors on the input or shorts on the printed circuit board at the inputs. A DC-detect fault is reported on the FAULT pin as a low state. The DC-detect fault also causes the amplifier to shut down by changing the state of the outputs to Hi-Z. To clear the DC detect, cycle the PVCC supply. Cycling SD does NOT clear a DC-detect fault.

A DC-detect fault is issued when the output differential duty-cycle exceeds 14% (for example, 57%, -43%) for more than 420 ms at the same polarity. This feature helps protect the speaker from large DC currents or AC currents less than 2 Hz. To avoid nuisance faults because of the DC detect circuit, hold the SD pin low at power-up until the signals at the inputs are stable. Also, match the impedance at the positive and negative input to avoid nuisance DC-detect faults.

Table 1 lists the minimum differential input voltages required to trigger the DC detect. The inputs must remain at or above the voltage listed in the table for more than 420 ms to trigger the DC detect.

Table 1. DC Detect Threshold

AV (dB)	V _{IN} (mV, DIFFERENTIAL)
20	112
26	56
32	28
36	17

7.3.2 Short-Circuit Protection and Automatic Recovery Feature

The TPA3110D2-Q1 device has protection from overcurrent conditions caused by a short circuit on the output stage. The short-circuit protection fault is reported on the $\overline{\text{FAULT}}$ pin as a low state. The amplifier outputs are switched to a Hi-Z state when the short circuit-protection latch is engaged. The latch is cleared by cycling the $\overline{\text{SD}}$ pin through the low state.

If automatic recovery from the short-circuit protection latch is desired, connect the $\overline{\text{FAULT}}$ pin directly to the $\overline{\text{SD}}$ pin. This allows the $\overline{\text{FAULT}}$ pin function to automatically drive the $\overline{\text{SD}}$ pin low, which clears the short-circuit protection latch.

7.3.3 Thermal Protection

Thermal protection on the TPA3111D1-Q1 device prevents damage to the device when the internal die temperature exceeds 150°C. This trip point has a $\pm 15^\circ\text{C}$ tolerance from device to device. When the die temperature exceeds the thermal set point, the device enters the shutdown state and the outputs are disabled. This is not a latched fault. The thermal fault is cleared once the temperature of the die is reduced by 15°C. The device begins normal operation at this point with no external system interaction.

Thermal protection faults are NOT reported on the $\overline{\text{FAULT}}$ pin.

7.3.4 GVDD Supply

The GVDD supply powers the gates of the output full bridge transistors. The GVDD supply can also supply the PLIMIT voltage divider circuit. Add a 1- μF capacitor to ground at this pin.

7.4 Device Functional Modes

7.4.1 Gain Setting Through Gain0 and Gain1 Inputs

The gain of the TPA3111D1-Q1 device is set by two input pins, GAIN0 and GAIN1. The voltage slew rate of these gain pins, along with pins 1 and 14, must be restricted to no more than 10 V/ms. For higher slew rates, use a 100-k Ω resistor in series with the pins.

The gains listed in [Table 2](#) are realized by changing the taps on the input resistors inside the amplifier which causes the input impedance (Z_i) to be dependent on the gain setting. The actual gain settings are controlled by ratios of resistors, so the gain variation from part-to-part is small. However, the input impedance from part-to-part at the same gain may shift by $\pm 20\%$ because of shifts in the actual resistance of the input resistors.

For design purposes, the input network (discussed in the [Input Resistance](#) section) should be designed assuming an input impedance of 7.2 k Ω , which is the absolute minimum input impedance of the TPA3111D1-Q1 device. At the lower gain settings, the input impedance could increase as high as 72 k Ω .

Table 2. Gain Setting

GAIN1	GAIN0	AMPLIFIER GAIN (dB)	INPUT IMPEDANCE (k Ω)
		TYPICAL	TYPICAL
0	0	20	60
0	1	26	30
1	0	32	15
1	1	36	9

7.4.2 \overline{SD} Operation

The TPA3111D1-Q1 device employs a shutdown mode of operation designed to reduce supply current (I_{CC}) to the absolute minimum level during periods of non-use for power conservation. The SD input pin should be held high (see the *AC Characteristics: $V_{CC} = 24 V$* and *AC Characteristics: $V_{CC} = 12 V$* tables for the trip point values) during normal operation when the amplifier is in use. Pulling the \overline{SD} pin low causes the outputs to mute and the amplifier to enter a low-current state. Never leave the \overline{SD} pin unconnected. Amplifier operation is unpredictable if the \overline{SD} pin is not connected.

For the best power-off pop performance, place the amplifier in the shutdown mode prior to removing the power supply voltage.

7.4.3 PLIMIT

The voltage at the PLIMIT pin (pin 10) can limit the power to levels below that which is possible based on the supply rail. Add a resistor divider from the GVDD pin to ground to set the voltage at the PLIMIT pin. An external reference can also be used if tighter tolerance is required. Also add a 1- μF capacitor from the PLIMIT pin to ground.

The PLIMIT circuit sets a limit on the output peak-to-peak voltage. This limit can be thought of as a virtual voltage rail, which is lower than the supply connected to PVCC. This virtual rail is four times the voltage at the PLIMIT pin. This output voltage can be used to calculate the maximum output power for a given maximum input voltage and speaker impedance.

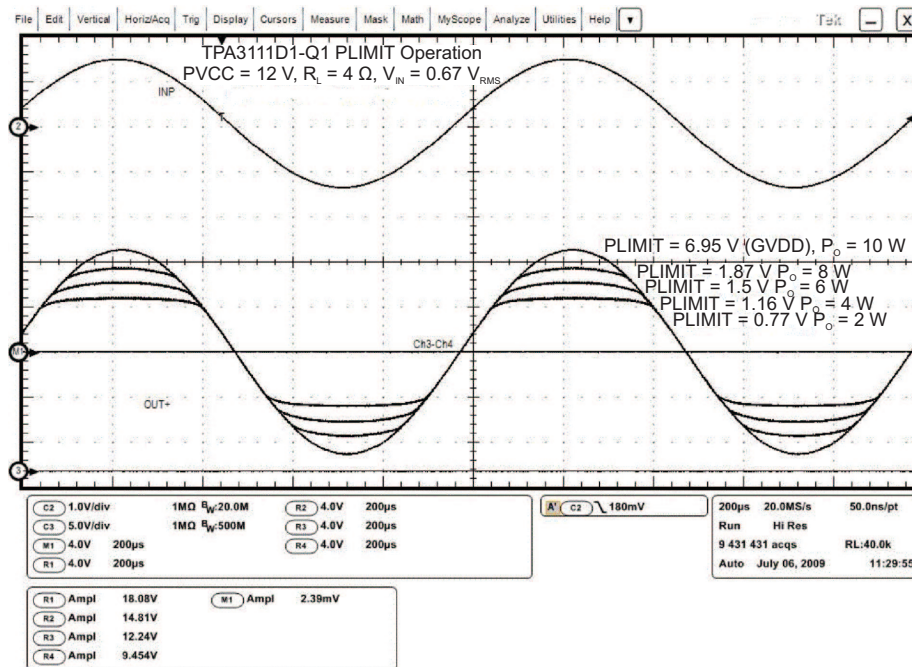


Figure 15. PLIMIT Circuit Operation

The PLIMIT circuit sets a limit on the output peak-to-peak voltage. The limiting occurs by limiting the duty cycle to the fixed maximum value. This limit can be thought of as a virtual voltage rail which is lower than the supply connected to PVCC. This virtual rail is four times the voltage at the PLIMIT pin. This output voltage can be used to calculate the maximum output power for a given maximum input voltage and speaker impedance. Use Equation 1 to calculate the maximum power output (P_{OUT}).

$$P_{OUT} = \frac{\left(\left(\frac{R_L}{R_L + 2 \times R_S} \right) \times V_P \right)^2}{2 \times R_L} \quad \text{for unclipped power}$$

where

- R_S is the total series resistance including $R_{DS(on)}$, and any resistance in the output filter.
- R_L is the load resistance.
- V_P is the peak amplitude of the output possible within the supply rail.
- $V_P = 4 \times \text{PLIMIT}$ voltage if $\text{PLIMIT} < 4 \times V_P$
- $P_{OUT}(10\%THD) = 1.25 \times P_{OUT}(\text{unclipped})$ (1)

Table 3. PLIMIT Typical Operation

TEST CONDITIONS	PLIMIT VOLTAGE	OUTPUT POWER (W)	OUTPUT VOLTAGE AMPLITUDE ($V_{p,p}$)
PVCC = 24 V, $V_{IN} = 1 V_{RMS}$, $R_L = 4 \Omega$, Gain = 20 dB	1.92	10	15
PVCC = 24 V, $V_{IN} = 1 V_{RMS}$, $R_L = 4 \Omega$, Gain = 20 dB	1.24	5	10
PVCC = 12 V, $V_{IN} = 1 V_{RMS}$, $R_L = 4 \Omega$, Gain = 20 dB	1.75	10	15.3
PVCC = 12 V, $V_{IN} = 1 V_{RMS}$, $R_L = 4 \Omega$, Gain = 20 dB	1.20	5	10.3

8 Application and Implementation

NOTE

Information in the following applications sections is not part of the TI component specification, and TI does not warrant its accuracy or completeness. TI's customers are responsible for determining suitability of components for their purposes. Customers should validate and test their design implementation to confirm system functionality.

8.1 Application Information

The TPA3111D1-Q1 device is an automotive class-D audio amplifier. The device accepts either a single ended or differential analog input, amplifies the signal, and drives up to 10 W across a bridge tied load, usually a speaker. Because an analog input is required, this device is often paired with a codec or audio DAC if the audio source is digital.

The four digital I/O pins, GAIN0, GAIN1, \overline{SD} , and \overline{FAULT} , can be pulled up to the PVCC supply. When connecting these pins to the PVCC supply, a 100-k Ω resistor must be put in series to limit the slew rate. For more information, see *Maximum Slew Rate on High-Voltage Pins for TPA3111D1 (SLUA626)*. One of four gain settings is used depending on the configuration of GAIN0 and GAIN1. The \overline{SD} pin is used to put the device in shutdown or normal mode. The \overline{FAULT} pin is used to indicate if a DC detect or short circuit fault was detected. See the *Typical Application* section for design considerations and how to select external components.

8.2 Typical Application

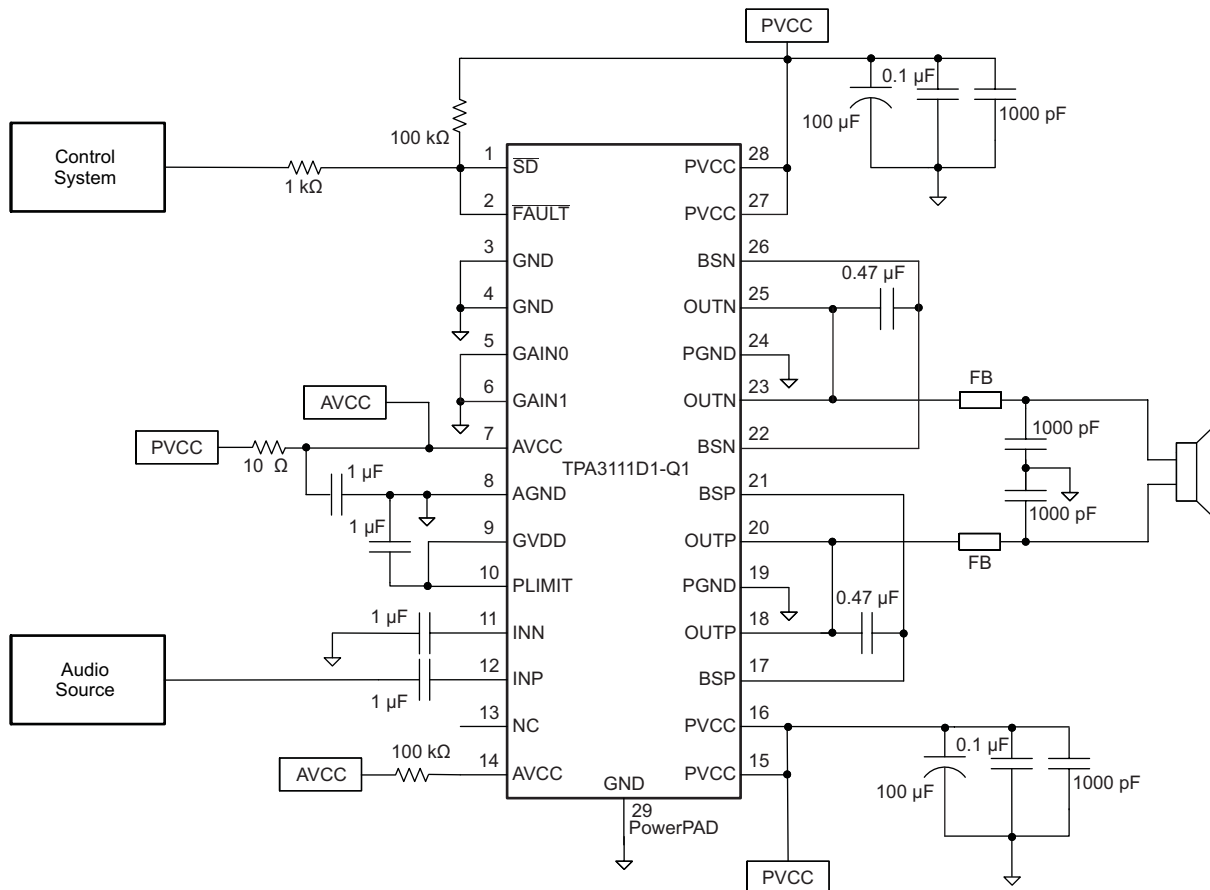


Figure 16. Mono Class-D Amplifier With BTL Output

Typical Application (continued)

8.2.1 Design Requirements

The typical requirements for designing the external components around the TPA3111D1-Q1 device include efficiency, EMI performance, and EMC performance. For most applications, only a ferrite bead is required to filter unwanted emissions. The ripple current is low enough that an LC filter is typically not needed. As the output power is increased, causing the ripple current to increase, an LC filter can be added to improve efficiency. An LC filter can also be added in cases where additional EMI suppression is needed.

In addition to discussing how to select a ferrite bead and when to use an LC filter, the [Detailed Design Procedure](#) section also discusses the input filter and power supply decoupling. The input filter must be selected with the input impedance of the amplifier in mind. The cut-off frequency should be selected so that bass performance is not impacted. Power supply decoupling is important to ensure that noise from the power line does not impact the audio quality of the amplifier output.

8.2.2 Detailed Design Procedure

8.2.2.1 Class-D Operation

This section focuses on the Class-D operation of the TPA3111D1-Q1 device.

8.2.2.2 TPA3111D1-Q1 Modulation Scheme

The TPA3111D1-Q1 device uses a modulation scheme that allows operation without the classic LC reconstruction filter when the amplifier is driving an inductive load. Each output is switching from 0 V to the supply voltage. The OUPP and OUTN pins are in phase with each other with no input so that there is little or no current in the speaker. The duty cycle of the OUPP pin is greater than 50% and the duty cycle of the OUTN pin is less than 50% for positive output voltages. The duty cycle of the OUPP pin is less than 50% and the duty cycle of the OUTN pin is greater than 50% for negative output voltages. The voltage across the load sits at 0 V throughout most of the switching period, greatly reducing the switching current, which reduces any I^2R losses in the load. See [Figure 20](#) for a plot of the output waveforms.

8.2.2.3 Ferrite Bead Filter Considerations

Using the advanced emissions suppression technology in the TPA3111D1-Q1 amplifier, designing a high efficiency Class-D audio amplifier is possible while minimizing interference to surrounding circuits. This design can also be accomplished with only a low-cost ferrite bead filter. In this case, the ferrite bead used in the filter must be carefully selected.

One important aspect of the ferrite bead selection is the type of material used in the ferrite bead. Not all ferrite material is alike, therefore select a material that is effective in the 10-MHz to 100-MHz range which is key to the operation of the Class-D amplifier. Many of the specifications regulating consumer electronics have emissions limits as low as 30 MHz. Use the ferrite bead filter to block radiation in the 30-MHz and above range from appearing on the speaker wires and the power supply lines which are good antennas for these signals. The impedance of the ferrite bead can be used along with a small capacitor with a value in the range of 1000 pF to reduce the frequency spectrum of the signal to an acceptable level. For best performance, the resonant frequency of the ferrite bead and capacitor filter should be less than 10 MHz.

Also, ensure that the ferrite bead is large enough to maintain the impedance at the peak currents expected for the amplifier. Some ferrite bead manufacturers specify the bead impedance at a variety of current levels. In this case, ensure that the ferrite bead maintains an adequate amount of impedance at the peak current the amplifier sees. If these specifications are not available, estimate the bead current handling capability by measuring the resonant frequency of the filter output at very low power and at maximum power. A change of resonant frequency of less than 50% under this condition is desirable. Examples of tested ferrite beads that work well with the TPA3111D2-Q1 device include 28L0138-80R-10 and HI1812V101R-10 from Steward and the 742792510 from Würth Electronics.

A high-quality ceramic capacitor is also required for the ferrite bead filter. A low-ESR capacitor with good temperature and voltage characteristics works best.

Typical Application (continued)

Additional EMC improvements can be obtained by adding snubber networks from each of the Class-D outputs to ground. The suggested values for a simple RC series snubber network is a 10-Ω resistor in series with a 330-pF capacitor, although the design of the snubber network is specific to every application and must consider the parasitic reactance of the printed circuit board as well as the audio amplifier. Take care to evaluate the stress on the component in the snubber network especially if the amplifier is running at a high PVCC supply. Also, ensure the layout of the snubber network is tight and returns directly to the PGND pin or the PowerPAD beneath the chip.

8.2.2.4 Efficiency: LC Filter Required With the Traditional Class-D Modulation Scheme

The main reason that the traditional Class-D amplifier needs an output filter is because the switching waveform results in maximum current flow, which causes more loss in the load resulting in lower efficiency. The ripple current is large for the traditional modulation scheme, because the ripple current is proportional to voltage multiplied by the time at that voltage. The differential voltage swing is $2 \times V_{CC}$, and the time at each voltage is half the period for the traditional modulation scheme. An ideal LC filter is required to store the ripple current from each half cycle for the next half cycle, while any resistance causes power dissipation. The speaker is both resistive and reactive, whereas an LC filter is almost purely reactive.

The TPA3111D1-Q1 modulation scheme has little loss in the load without a filter because the pulses are short and the change in voltage is V_{CC} instead of $2 \times V_{CC}$. As the output power increases, the pulses widen, making the ripple current larger. Ripple current can be filtered with an LC filter for increased efficiency, but for most applications the filter is not required.

An LC filter with a cutoff frequency less than the Class-D switching frequency allows the switching current to flow through the filter instead of the load. The filter has less resistance but higher impedance at the switching frequency than the speaker, which results in less power dissipation, therefore increasing efficiency.

8.2.2.5 When to Use an Output Filter for EMI Suppression

The TPA3111D1-Q1 device has been tested with a simple ferrite bead filter for a variety of applications including long speaker wires up to 125 cm and high power. The TPA3111D1EVM passes FCC Class-B specifications under these conditions using twisted speaker wires. The size and type of ferrite bead can be selected to meet application requirements. Also, the filter capacitor can be increased if necessary with some impact on efficiency.

A few circuit instances may require the addition of a complete LC reconstruction filter. These circumstances might occur if nearby circuits are very sensitive to noise. In these cases a classic second order Butterworth filter similar to those shown in the following figures can be used.

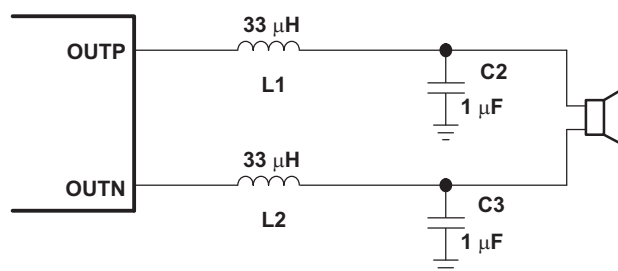
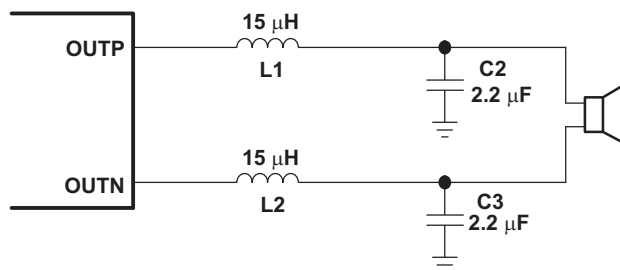
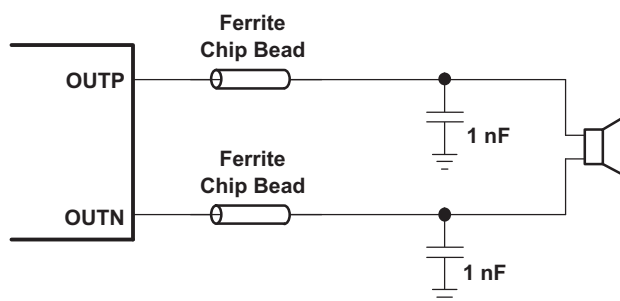
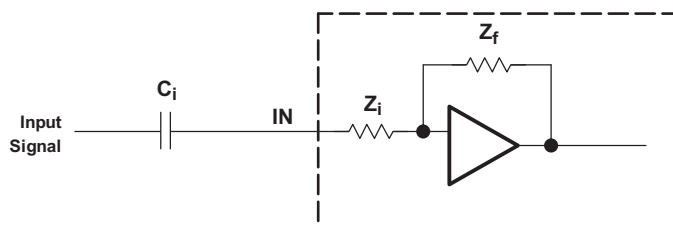


Figure 17. Typical LC Output Filter, Cutoff Frequency of 27 kHz, Speaker Impedance = 8 Ω

Typical Application (continued)

Figure 18. Typical LC Output Filter, Cutoff Frequency of 27 kHz, Speaker Impedance = 4 Ω

Figure 19. Typical Ferrite Chip Bead Filter (Chip Bead Example: Steward HI0805R800R-10)
8.2.2.6 Input Resistance

Changing the gain setting can vary the input resistance of the amplifier from the smallest value, 9 kΩ ±20%, to the largest value, 60 kΩ ±20%. As a result, if a single capacitor is used in the input high-pass filter, the –3 dB or cutoff frequency may change when changing gain steps.



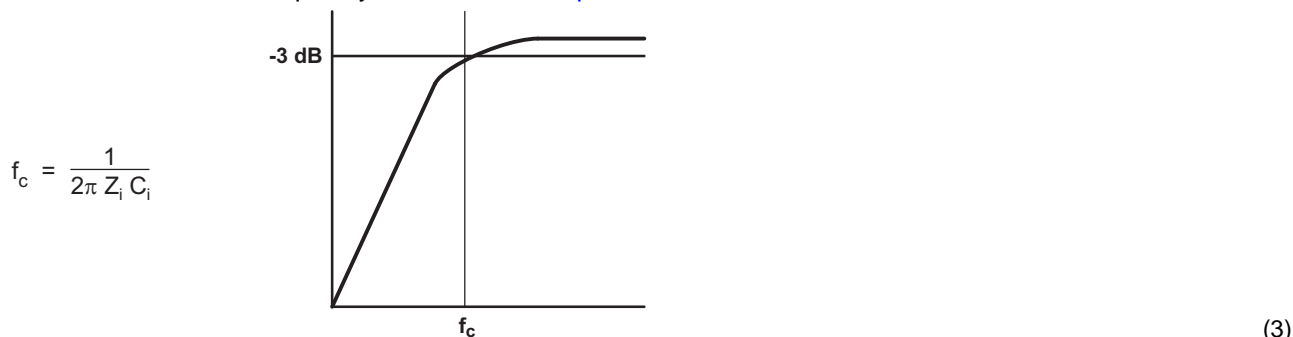
Use [Equation 2](#) to calculate the –3-dB frequency . Use the values listed in [Table 2](#) for Z_i .

$$f = \frac{1}{2\pi Z_i C_i} \quad (2)$$

Typical Application (continued)

8.2.2.7 Input Capacitor, C_i

In the typical application, an input capacitor (C_i) is required to allow the amplifier to bias the input signal to the proper DC level for optimum operation. In this case, C_i and the input impedance of the amplifier (Z_i) form a high-pass filter with the corner frequency determined in Equation 3.



The value of C_i is important, as it directly affects the bass (low-frequency) performance of the circuit. Consider the example where Z_i is 60 k Ω and the specification calls for a flat bass response down to 20 Hz. Equation 3 is reconfigured as Equation 4.

$$C_i = \frac{1}{2\pi Z_i f_c}$$

(4)

In this example, C_i is 0.13 μF ; so, one would likely choose a value of 0.15 μF as this value is commonly used. If the gain is known and is constant, use Z_i from Table 2 to calculate C_i . A further consideration for this capacitor is the leakage path from the input source through the input network (C_i) and the feedback network to the load. This leakage current creates a DC offset voltage at the input to the amplifier that reduces useful headroom, especially in high gain applications. For this reason, a low-leakage tantalum or ceramic capacitor is the best selection. If a ceramic capacitor is used, use a high quality capacitor with good temperature and voltage coefficient. An X7R-type capacitor works well and, if possible, use a higher voltage rating than required which provides a better C-versus-voltage characteristic. When polarized capacitors are used, the positive side of the capacitor should face the amplifier input in most applications as the DC level there is held at 3 V, which is likely higher than the source DC level. Note that it is important to confirm the capacitor polarity in the application. Additionally, lead-free solder can create DC offset voltages. Ensure that boards are cleaned properly.

8.2.2.8 BSN and BSP Capacitors

The full H-bridge output stage uses only NMOS transistors. Therefore, they require bootstrap capacitors for the high side of each output to turn on correctly. A 470-nF ceramic capacitor, rated for at least 16 V, must be connected from each output to its corresponding bootstrap input. Specifically, one 470-nF capacitor must be connected from OUTP to BSP, and one 470-nF capacitor must be connected from OUTN to BSN. See the simplified application circuit diagram in the Description section.

The bootstrap capacitors connected between the BSx pins and corresponding output function as a floating power supply for the high-side N-channel power MOSFET gate drive circuitry. During each high-side switching cycle, the bootstrap capacitors hold the gate-to-source voltage high enough to keep the high-side MOSFETs turned on.

8.2.2.9 Differential Inputs

The differential input stage of the amplifier cancels any noise that appears on both input lines of the channel. To use the TPA3111D1-Q1 device with a differential source, connect the positive lead of the audio source to the INP input and the negative lead from the audio source to the INN input. To use the TPA3111D1-Q1 device with a single-ended source, AC-ground the INP or INN input through a capacitor equal in value to the input capacitor on INN or INP and apply the audio source to either input. In a single-ended input application, the unused input should be AC-grounded at the audio source instead of at the device input for best noise performance. For good transient performance, the impedance seen at each of the two differential inputs should be the same.

Typical Application (continued)

The impedance at the inputs should be limited to an RC time constant of 1 ms or less if possible. Limiting the impedance allows the input DC blocking capacitors to become completely charged during the 14-ms power-up time. If the input capacitors are not allowed to completely charge, some additional sensitivity to component matching can occur which can result in a pop if the input components are not well matched.

8.2.2.10 Using Low-ESR Capacitors

Low-ESR capacitors are recommended throughout this application. A real (as opposed to ideal) capacitor can be modeled simply as a resistor in series with an ideal capacitor. The voltage drop across this resistor minimizes the beneficial effects of the capacitor in the circuit. The lower the equivalent value of this resistance, the more the real capacitor behaves like an ideal capacitor.

8.2.3 Application Curve

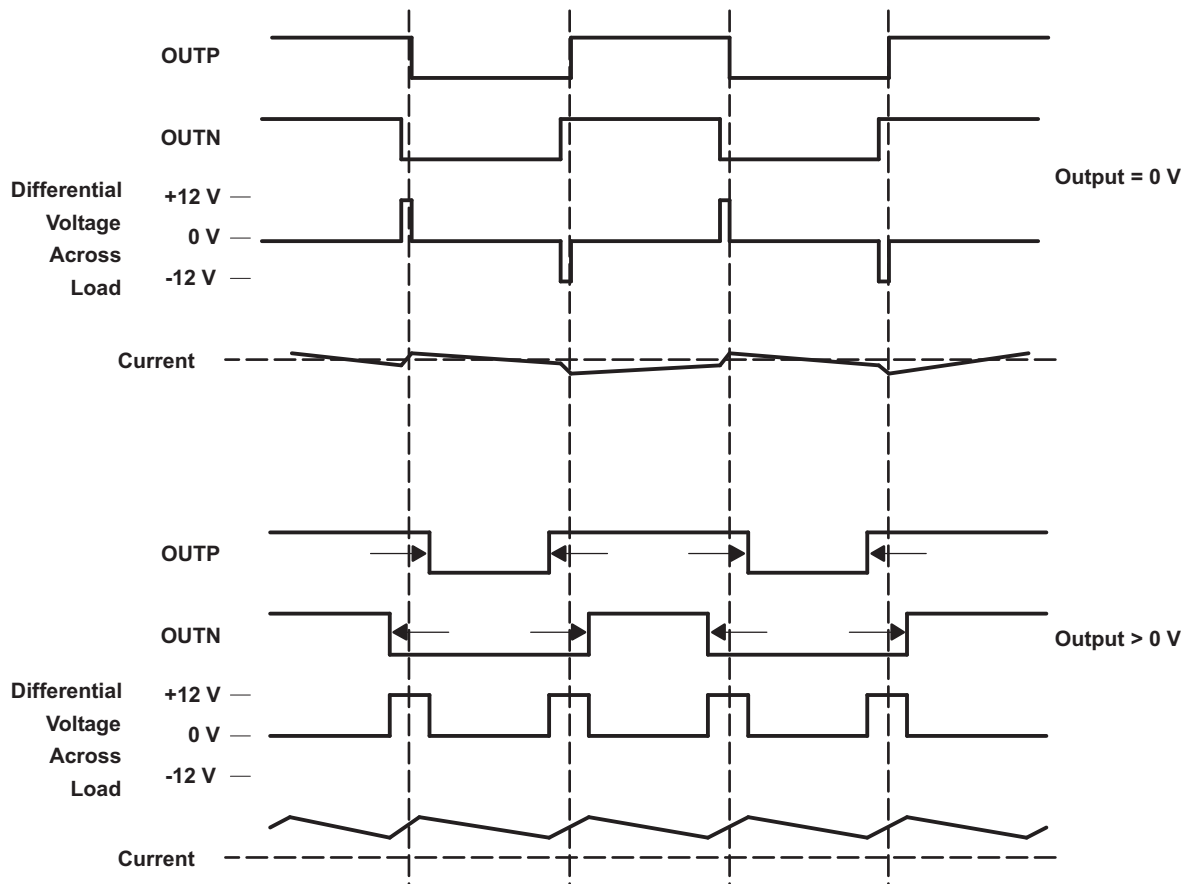


Figure 20. The TPA3111D1-Q1 Output Voltage and Current Waveforms into an Inductive Load

9 Power Supply Recommendations

The TPA3111D1-Q1 device is a high-performance CMOS audio amplifier that requires adequate power supply decoupling to ensure that the output total harmonic distortion (THD) is as low as possible. Power supply decoupling also prevents oscillations for long lead lengths between the amplifier and the speaker.

Optimum decoupling is achieved by using a network of capacitors of different types that target specific types of noise on the power supply leads. For higher frequency transients due to parasitic circuit elements such as bond wire and copper trace inductances as well as lead frame capacitance, a good quality low equivalent-series-resistance (ESR) ceramic capacitor with a value between 220 pF and 1000 pF works well. This capacitor should be placed as close to the device PVCC pins and system ground (either PGND pins or PowerPAD) as possible.

For mid-frequency noise because of filter resonances or PWM switching transients as well as digital hash on the line, place another good quality capacitor, with a typical value of 0.1 μF to 1 μF , as close as possible to the PVCC pins which works best. For filtering lower frequency noise signals, a larger aluminum electrolytic capacitor with a value of 220 μF or greater placed near the audio power amplifier is recommended. The 220- μF capacitor also serves as a local storage capacitor for supplying current during large signal transients on the amplifier outputs. The PVCC pins provide the power to the output transistors, so a 220- μF or larger capacitor should be placed on each PVCC pin. A 10- μF capacitor on the AVCC pin is adequate. Also, a small decoupling resistor between the AVCC and PVCC pins can be used to keep high frequency Class-D noise from entering the linear input amplifiers.

10 Layout

10.1 Layout Guidelines

The TPA3111D1-Q1 device can be used with a small, inexpensive ferrite bead output filter for most applications. However, because the Class-D switching edges are very fast, carefully planning the layout of the printed circuit board is important. Use the guidelines that follow to help meet the EMC requirements:

- The high-frequency decoupling capacitors should be placed as close to the PVCC and AVCC pins as possible. Large (220 μF or greater) bulk power-supply decoupling capacitors should be placed near the TPA3111D1-Q1 device on the PVCC supplies. Local, high-frequency bypass capacitors should be placed as close to the PVCC pins as possible. These capacitors can be connected to the thermal pad directly for an excellent ground connection. Consider adding a small, good-quality low-ESR ceramic capacitor with a value between 220 pF and 1000 pF and a larger good-quality mid-frequency capacitor with a value between 0.1 μF and 1 μF to the PVCC connections at each end of the chip.
- Keep the current loop from each of the outputs through the ferrite bead and the small filter cap and back to PGND as small and tight as possible. The size of this current loop determines its effectiveness as an antenna.
- The ferrite EMI filter ([Figure 19](#)) should be placed as close to the output pins as possible for the best EMI performance. The LC filter ([Figure 17](#) and [Figure 18](#)) should be placed close to the outputs. The capacitors used in both the ferrite and LC filters should be grounded to power ground.
- The thermal pad must be soldered to the PCB for proper thermal performance and optimal reliability. The dimensions of the thermal pad and thermal land should be 6.46 mm by 2.35 mm. Seven rows of solid vias (three vias per row, 0.33 mm or 13 mils diameter) should be equally spaced underneath the thermal land. The vias should connect to a solid copper plane, either on an internal layer or on the bottom layer of the PCB. The vias must be solid vias, not thermal relief or webbed vias. See *PowerPAD™ Thermally Enhanced Package (SLMA002)* for more information on using the thermal pad of the package. For recommended PCB footprints, see the mechanical pages in the [Mechanical, Packaging, and Orderable Information](#) section.

10.2 Layout Example

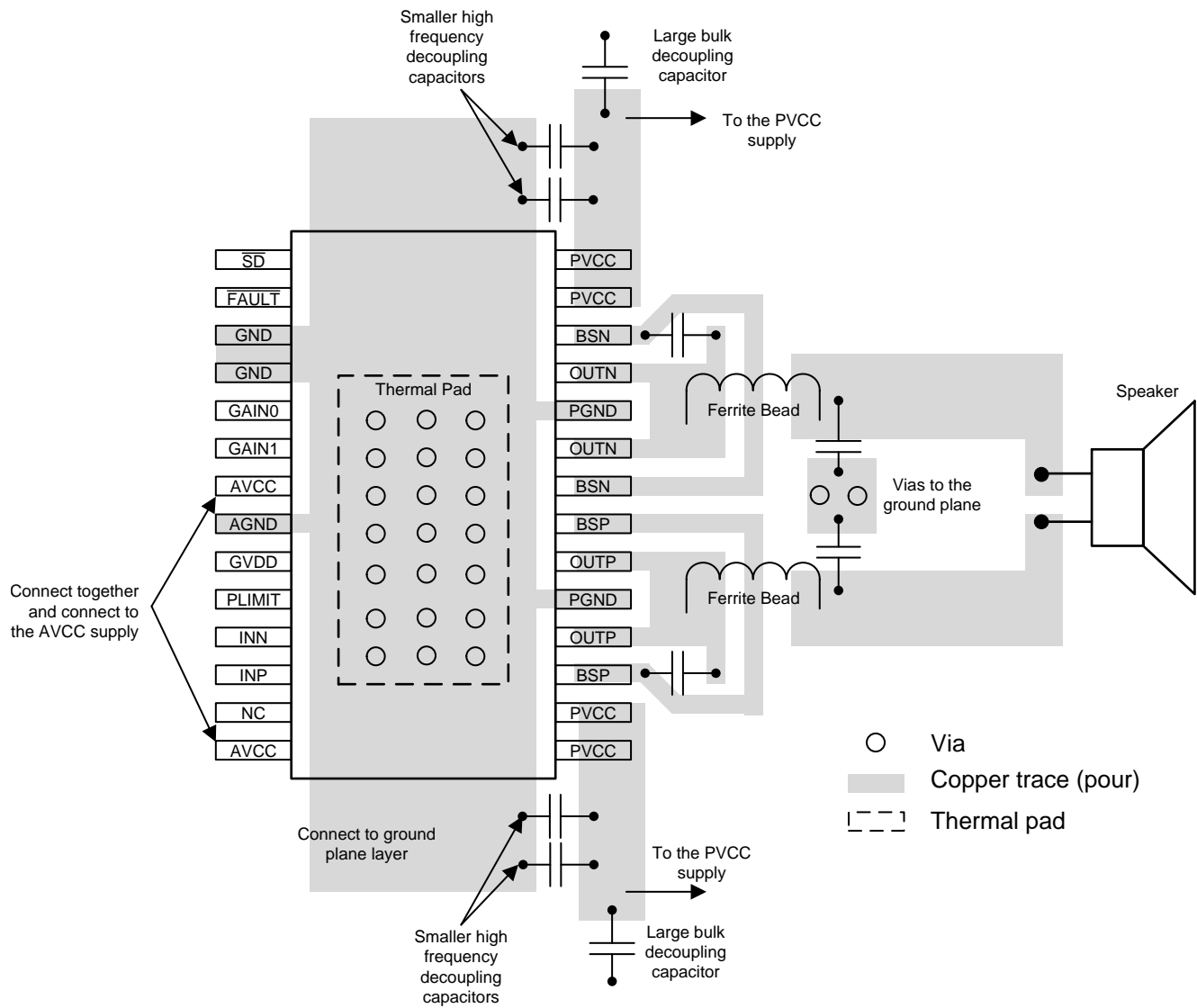


Figure 21. Recommended Layout

11 Device and Documentation Support

11.1 Documentation Support

11.1.1 Related Documentation

For related documentation see the following:

- *AN-1737 Managing EMI in Class D Audio Applications*, [SNAA050](#)
- *AN-1849 An Audio Amplifier Power Supply Design*,
- *Guidelines for Measuring Audio Power Amplifier Performance*, [SLOA068](#)
- *Maximum Slew Rate on High-Voltage Pins for TPA3111D1*, [SLUA626](#)
- *PowerPAD™ Thermally Enhanced Package*, [SLMA002](#)
- *TPA3111D1EVM Audio Amplifier Evaluation Board*, [SLOU270](#)
- *TPA3110D2EVM Audio Amplifier Evaluation Board*, [SLOU263](#)
- *Using Thermal Calculation Tools for Analog Components*, [SLUA566](#)

11.2 Community Resources

The following links connect to TI community resources. Linked contents are provided "AS IS" by the respective contributors. They do not constitute TI specifications and do not necessarily reflect TI's views; see TI's [Terms of Use](#).

TI E2E™ Online Community *TI's Engineer-to-Engineer (E2E) Community*. Created to foster collaboration among engineers. At [e2e.ti.com](#), you can ask questions, share knowledge, explore ideas and help solve problems with fellow engineers.

Design Support *TI's Design Support* Quickly find helpful E2E forums along with design support tools and contact information for technical support.

11.3 Trademarks

SpeakerGuard, PowerPAD, E2E are trademarks of Texas Instruments. All other trademarks are the property of their respective owners.

11.4 Electrostatic Discharge Caution



These devices have limited built-in ESD protection. The leads should be shorted together or the device placed in conductive foam during storage or handling to prevent electrostatic damage to the MOS gates.

11.5 Glossary

[SLYZ022](#) — *TI Glossary*.

This glossary lists and explains terms, acronyms, and definitions.

12 Mechanical, Packaging, and Orderable Information

The following pages include mechanical, packaging, and orderable information. This information is the most current data available for the designated devices. This data is subject to change without notice and revision of this document. For browser-based versions of this data sheet, refer to the left-hand navigation.

PACKAGING INFORMATION

Orderable Device	Status (1)	Package Type	Package Drawing	Pins	Package Qty	Eco Plan (2)	Lead/Ball Finish (6)	MSL Peak Temp (3)	Op Temp (°C)	Device Marking (4/5)	Samples
TPA3111D1QPWPRQ1	ACTIVE	HTSSOP	PWP	28	2000	Green (RoHS & no Sb/Br)	NIPDAU	Level-3-260C-168 HR	-40 to 125	TPA3111Q1	Samples

(1) The marketing status values are defined as follows:

ACTIVE: Product device recommended for new designs.

LIFEBUY: TI has announced that the device will be discontinued, and a lifetime-buy period is in effect.

NRND: Not recommended for new designs. Device is in production to support existing customers, but TI does not recommend using this part in a new design.

PREVIEW: Device has been announced but is not in production. Samples may or may not be available.

OBSOLETE: TI has discontinued the production of the device.

(2) **RoHS:** TI defines "RoHS" to mean semiconductor products that are compliant with the current EU RoHS requirements for all 10 RoHS substances, including the requirement that RoHS substance do not exceed 0.1% by weight in homogeneous materials. Where designed to be soldered at high temperatures, "RoHS" products are suitable for use in specified lead-free processes. TI may reference these types of products as "Pb-Free".

RoHS Exempt: TI defines "RoHS Exempt" to mean products that contain lead but are compliant with EU RoHS pursuant to a specific EU RoHS exemption.

Green: TI defines "Green" to mean the content of Chlorine (Cl) and Bromine (Br) based flame retardants meet JS709B low halogen requirements of <=1000ppm threshold. Antimony trioxide based flame retardants must also meet the <=1000ppm threshold requirement.

(3) MSL, Peak Temp. - The Moisture Sensitivity Level rating according to the JEDEC industry standard classifications, and peak solder temperature.

(4) There may be additional marking, which relates to the logo, the lot trace code information, or the environmental category on the device.

(5) Multiple Device Markings will be inside parentheses. Only one Device Marking contained in parentheses and separated by a "~" will appear on a device. If a line is indented then it is a continuation of the previous line and the two combined represent the entire Device Marking for that device.

(6) Lead/Ball Finish - Orderable Devices may have multiple material finish options. Finish options are separated by a vertical ruled line. Lead/Ball Finish values may wrap to two lines if the finish value exceeds the maximum column width.

Important Information and Disclaimer:The information provided on this page represents TI's knowledge and belief as of the date that it is provided. TI bases its knowledge and belief on information provided by third parties, and makes no representation or warranty as to the accuracy of such information. Efforts are underway to better integrate information from third parties. TI has taken and continues to take reasonable steps to provide representative and accurate information but may not have conducted destructive testing or chemical analysis on incoming materials and chemicals. TI and TI suppliers consider certain information to be proprietary, and thus CAS numbers and other limited information may not be available for release.

In no event shall TI's liability arising out of such information exceed the total purchase price of the TI part(s) at issue in this document sold by TI to Customer on an annual basis.

OTHER QUALIFIED VERSIONS OF TPA3111D1-Q1 :

- Catalog: [TPA3111D1](#)

NOTE: Qualified Version Definitions:

- Catalog - TI's standard catalog product

TAPE AND REEL INFORMATION



QUADRANT ASSIGNMENTS FOR PIN 1 ORIENTATION IN TAPE



*All dimensions are nominal

Device	Package Type	Package Drawing	Pins	SPQ	Reel Diameter (mm)	Reel Width W1 (mm)	A0 (mm)	B0 (mm)	K0 (mm)	P1 (mm)	W (mm)	Pin1 Quadrant
TPA3111D1QPWPRQ1	HTSSOP	PWP	28	2000	330.0	16.4	6.9	10.2	1.8	12.0	16.0	Q1

TAPE AND REEL BOX DIMENSIONS



*All dimensions are nominal

Device	Package Type	Package Drawing	Pins	SPQ	Length (mm)	Width (mm)	Height (mm)
TPA3111D1QPWRQ1	HTSSOP	PWP	28	2000	350.0	350.0	43.0

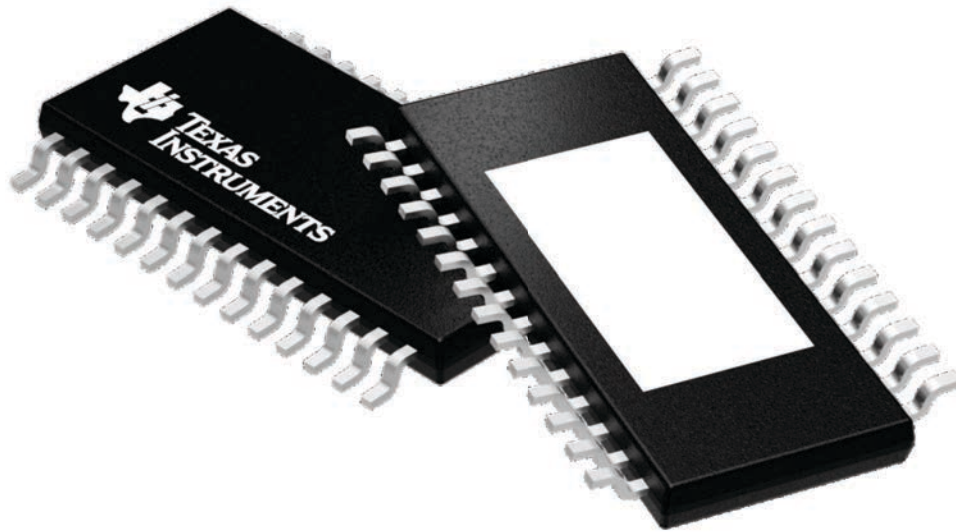
GENERIC PACKAGE VIEW

PWP 28

PowerPAD™ TSSOP - 1.2 mm max height

4.4 x 9.7, 0.65 mm pitch

SMALL OUTLINE PACKAGE



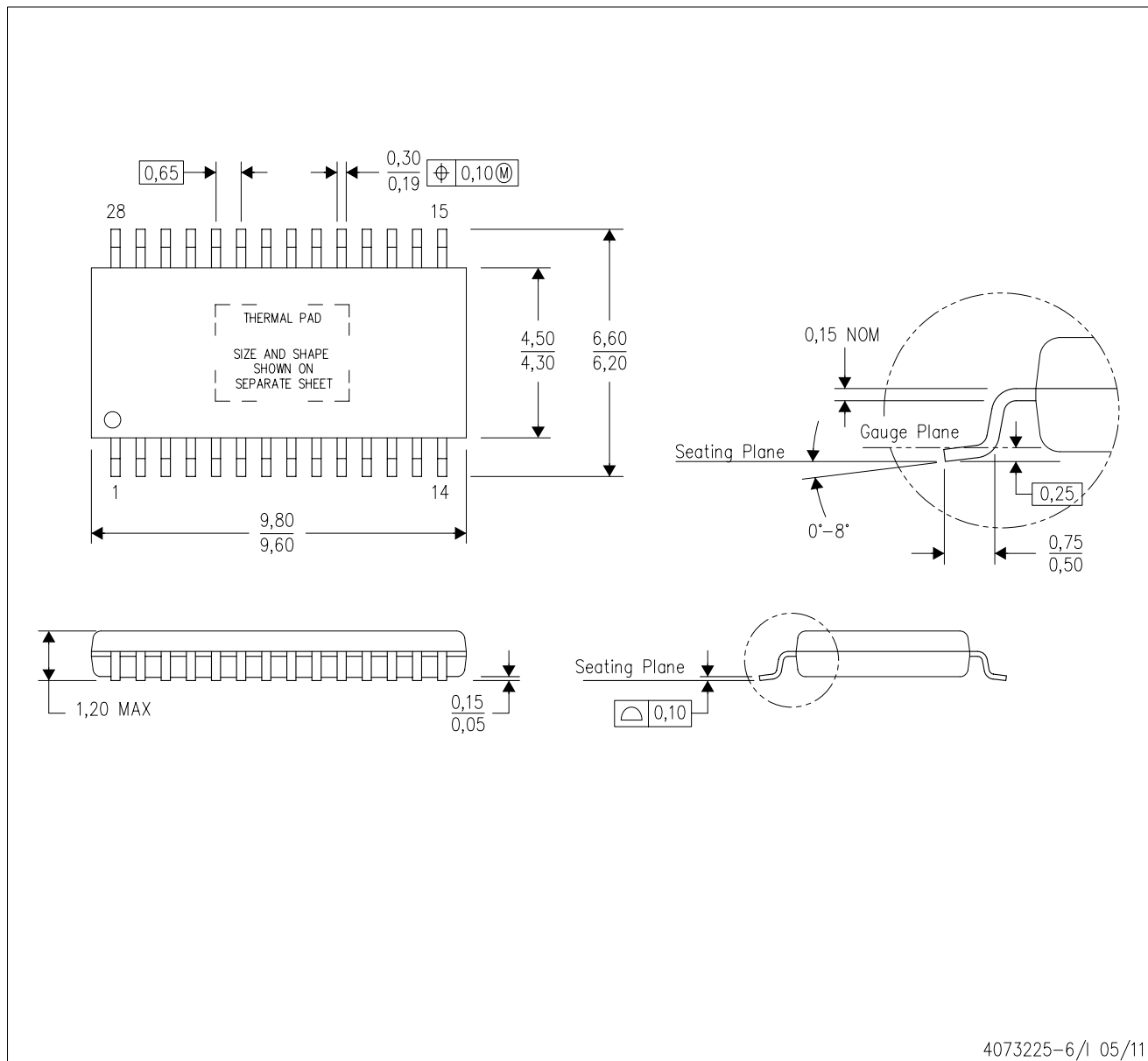
Images above are just a representation of the package family, actual package may vary.
Refer to the product data sheet for package details.

4224765/A

MECHANICAL DATA

PWP (R-PDSO-G28)

PowerPAD™ PLASTIC SMALL OUTLINE



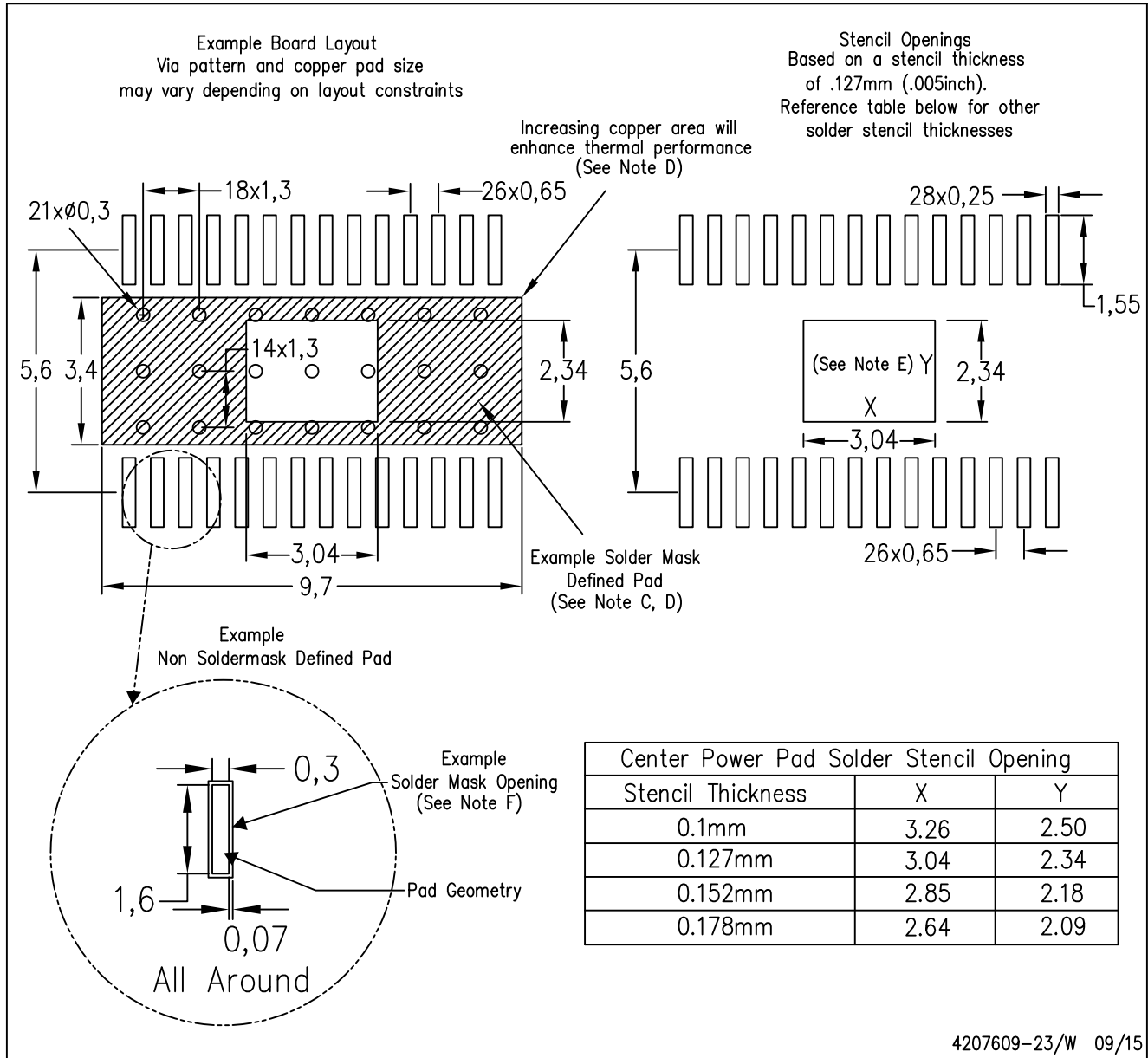
4073225-6/1 05/11

- NOTES:
- All linear dimensions are in millimeters.
 - This drawing is subject to change without notice.
 - Body dimensions do not include mold flash or protrusions. Mold flash and protrusion shall not exceed 0.15 per side.
 - This package is designed to be soldered to a thermal pad on the board. Refer to Technical Brief, PowerPad Thermally Enhanced Package, Texas Instruments Literature No. SLMA002 for information regarding recommended board layout. This document is available at www.ti.com <<http://www.ti.com>>.
 - See the additional figure in the Product Data Sheet for details regarding the exposed thermal pad features and dimensions.
 - Falls within JEDEC MO-153

PowerPAD is a trademark of Texas Instruments.

PWP (R-PDSO-G28)

PowerPAD™ PLASTIC SMALL OUTLINE



4207609-23/W 09/15

- NOTES:
- A. All linear dimensions are in millimeters.
 - B. This drawing is subject to change without notice.
 - C. Customers should place a note on the circuit board fabrication drawing not to alter the center solder mask defined pad.
 - D. This package is designed to be soldered to a thermal pad on the board. Refer to Technical Brief, PowerPad Thermally Enhanced Package, Texas Instruments Literature No. SLMA002, SLMA004, and also the Product Data Sheets for specific thermal information, via requirements, and recommended board layout. These documents are available at www.ti.com <<http://www.ti.com>>. Publication IPC-7351 is recommended for alternate designs.
 - E. Laser cutting apertures with trapezoidal walls and also rounding corners will offer better paste release. Customers should contact their board assembly site for stencil design recommendations. Example stencil design based on a 50% volumetric metal load solder paste. Refer to IPC-7525 for other stencil recommendations.
 - F. Customers should contact their board fabrication site for solder mask tolerances between and around signal pads.

IMPORTANT NOTICE AND DISCLAIMER

TI PROVIDES TECHNICAL AND RELIABILITY DATA (INCLUDING DATASHEETS), DESIGN RESOURCES (INCLUDING REFERENCE DESIGNS), APPLICATION OR OTHER DESIGN ADVICE, WEB TOOLS, SAFETY INFORMATION, AND OTHER RESOURCES "AS IS" AND WITH ALL FAULTS, AND DISCLAIMS ALL WARRANTIES, EXPRESS AND IMPLIED, INCLUDING WITHOUT LIMITATION ANY IMPLIED WARRANTIES OF MERCHANTABILITY, FITNESS FOR A PARTICULAR PURPOSE OR NON-INFRINGEMENT OF THIRD PARTY INTELLECTUAL PROPERTY RIGHTS.

These resources are intended for skilled developers designing with TI products. You are solely responsible for (1) selecting the appropriate TI products for your application, (2) designing, validating and testing your application, and (3) ensuring your application meets applicable standards, and any other safety, security, or other requirements. These resources are subject to change without notice. TI grants you permission to use these resources only for development of an application that uses the TI products described in the resource. Other reproduction and display of these resources is prohibited. No license is granted to any other TI intellectual property right or to any third party intellectual property right. TI disclaims responsibility for, and you will fully indemnify TI and its representatives against, any claims, damages, costs, losses, and liabilities arising out of your use of these resources.

TI's products are provided subject to TI's Terms of Sale (www.ti.com/legal/termsofsale.html) or other applicable terms available either on ti.com or provided in conjunction with such TI products. TI's provision of these resources does not expand or otherwise alter TI's applicable warranties or warranty disclaimers for TI products.

Mailing Address: Texas Instruments, Post Office Box 655303, Dallas, Texas 75265
Copyright © 2020, Texas Instruments Incorporated