

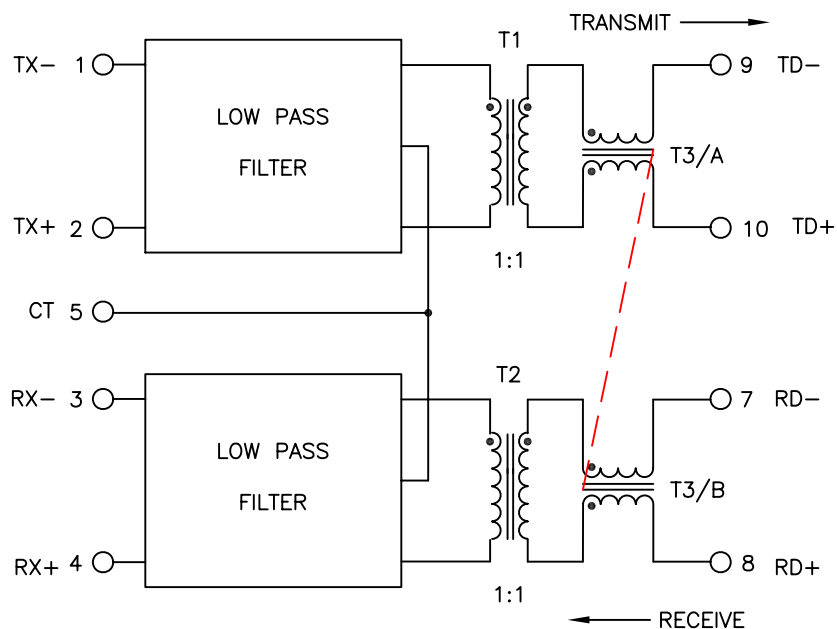
PE-68017SNL

NOTICE: THE INFORMATION AND DESIGN CONTAINED HEREIN IS THE PROPERTY OF PULSE WHO RESERVES ALL RIGHTS THERETO.

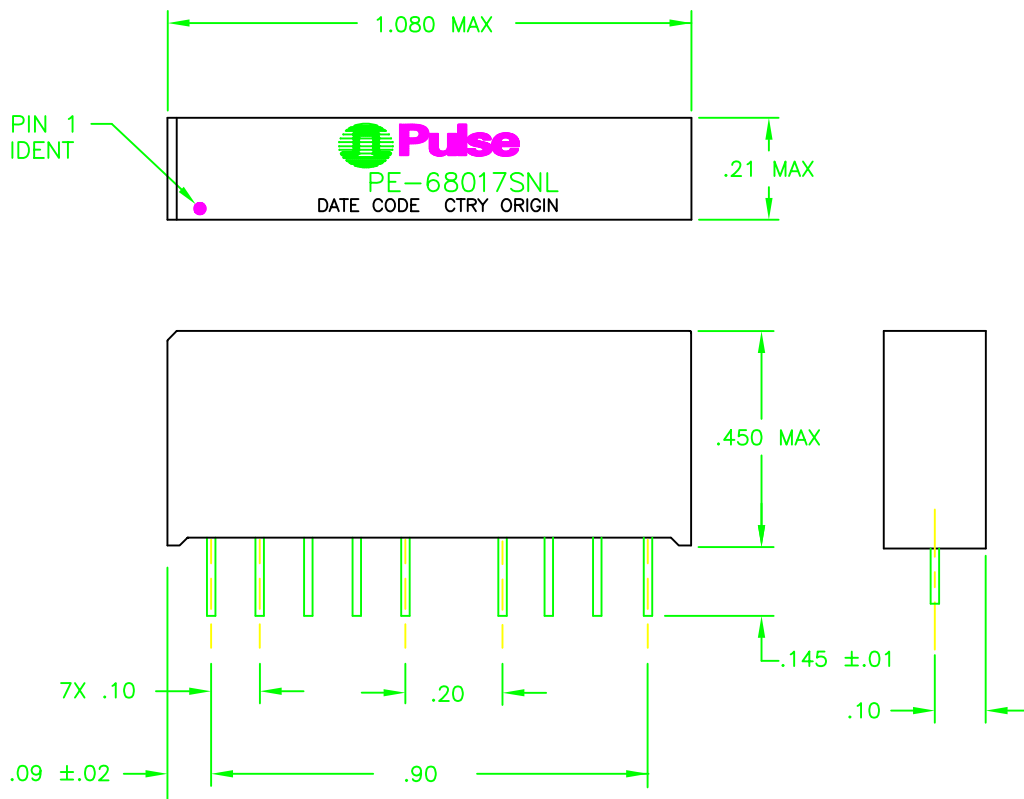
NOTICE:



THIS IS A RoHS COMPLIANT COMPONENT/PRODUCT. ALL ENGINEERING CHANGES MUST HAVE PRIOR APPROVAL BY THE DESIGN CENTER.



SCHEMATIC



FINAL OUTLINE

UNLESS OTHERWISE SPECIFIED, ALL DIMENSIONS ARE IN INCHES. TOLERANCES ARE:

DECIMALS .XX ±.01 ± 1°
.XXX ±.005

DO NOT SCALE DRAWING

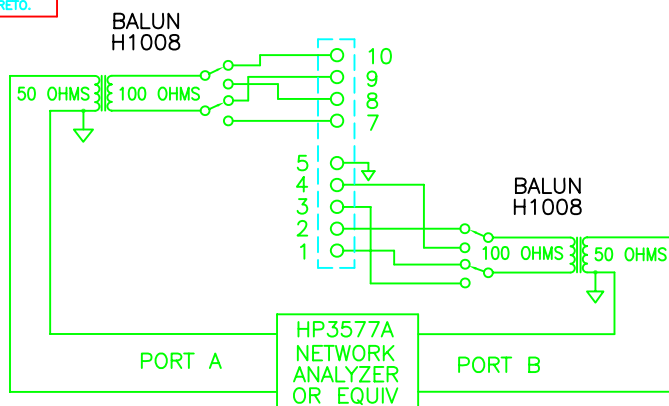
SIZE CAGE CODE DWG. NO.
B01961 PE-68017SNL

SCALE NONE CADD FILE PE-68017SNL-7 SHEET 7 OF 7

REV. 10

PE-68017SNL

NOTICE: THE INFORMATION AND DESIGN CONTAINED HEREIN IS THE PROPERTY OF PULSE WHO RESERVES ALL RIGHTS THERETO.



INSERTION LOSS TEST CIRCUIT
FIGURE 4

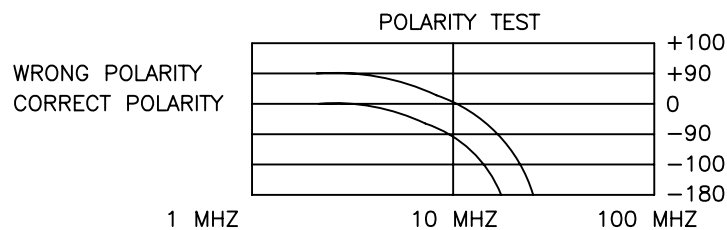
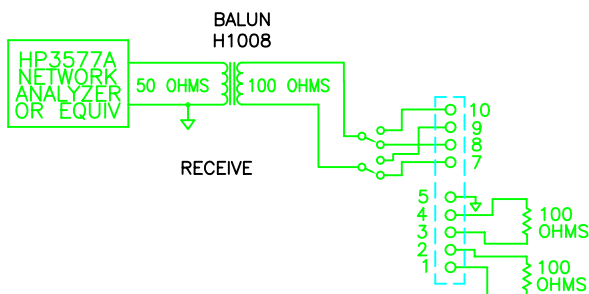


FIGURE 5



RETURN LOSS TEST CIRCUIT
FIGURE 6

TEST PROCEDURES:

UNLESS OTHERWISE SPECIFIED, TESTING IS PERFORMED AT 25°C ±5°C.

- HIPOT TEST: (100%)
PRODUCTION LINE TO TEST AT 1650 VRMS 1 mA FOR 6 SECONDS, DVT, PILOT LINE AND QUALIFICATION SAMPLES TO TEST AT 1500 VRMS 1 mA FOR 1 MINUTE BETWEEN THE PINS (1 THRU 4) AND (7 THRU 10).
- CONNECTIVITY, OPEN AND SHORTS (100%): PER PQ: 3.064.000
- INSERTION LOSS: (100%) FIGURE 4 USE FIXTURE ITEM 24
CALIBRATE THE NETWORK ANALYZER IN THE S21 MODE BY SHORTING (1-9) AND SHORT (2-10) - DO A THRU CALIBRATION. MEASURE THE INSERTION LOSS BETWEEN 1 MHZ AND 100 MHZ. THE ATTENUATION SHALL BE WITHIN THE FOLLOWING LIMITS ON BOTH CHANNELS.

TRANSMIT (1-3)

RECEIVE (5-7)

FREQUENCY	ATTENUATION (S21)
1 MHZ	-1.0 dB MAX.
10 MHZ	-1.0 dB MAX.
30 MHZ	-30 dB MIN.
50 MHZ	-25 dB MIN.
100 MHZ	-27 dB MIN.

FREQUENCY	ATTENUATION (S21)
1 MHZ	-1.0 dB MAX.
10 MHZ	-1.0 dB MAX.
30 MHZ	-10 dB MIN.
50 MHZ	-27 dB MIN.
100 MHZ	-30 dB MIN.

- POLARITY: (100%) FIGURE 5 USE FIXTURE ITEM 24
CALIBRATE THE SAME AS IN INSERTION LOSS. SET UP PHASE TEST PER FIGURE 4 ON THIS PAGE. PHASE SHALL BE NEGATIVE AND NEAR -45°. IF THE PHASE ANGLE IS POSITIVE AT 5 MHZ, THE UNIT IS REJECTED FOR POLARITY REVERSAL. SEE FIGURE 5.
- RETURN LOSS: (100%) FIGURE 6 USE FIXTURE ITEM 24
CALIBRATE THE NETWORK ANALYZER IN THE S11 MODE. DO ONE PORT FULL CAL WITH PINS 7-8. INSERT PART. MEASURE BOTH RECEIVE AND TRANSMIT TO BE WITHIN THE FOLLOWING LIMITS.

FREQUENCY	TRANSMIT	RECEIVE
5 MHZ	-21 dB MIN	-20 dB MIN
7.5 MHZ	-21 dB MIN	-19 dB MIN
10 MHZ	-21 dB MIN	-20 dB MIN

UNLESS OTHERWISE SPECIFIED, ALL DIMENSIONS ARE IN INCHES TOLERANCES ARE:

DECIMALS .XX ±.01 ± 1°
.XXX ±.005
DO NOT SCALE DRAWING

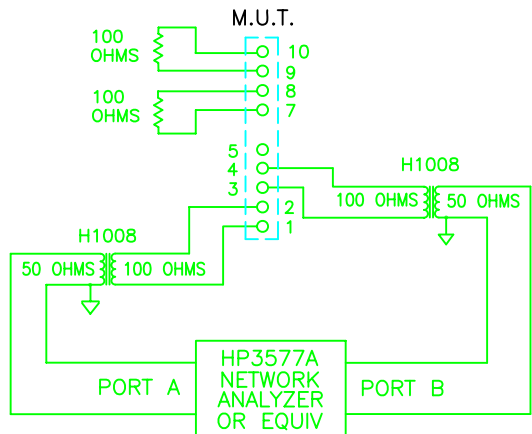
SIZE: CAGE CODE: B01961
SCALE: NONE

DWG. NO.: PE-68017SNL
CADD FILE: PE-68017SNL-5

REV.: 10
SHEET: 5 OF 7

NOTICE: THE INFORMATION AND DESIGN CONTAINED HEREIN IS THE PROPERTY OF PULSE WHO RESERVES ALL RIGHTS THERETO.

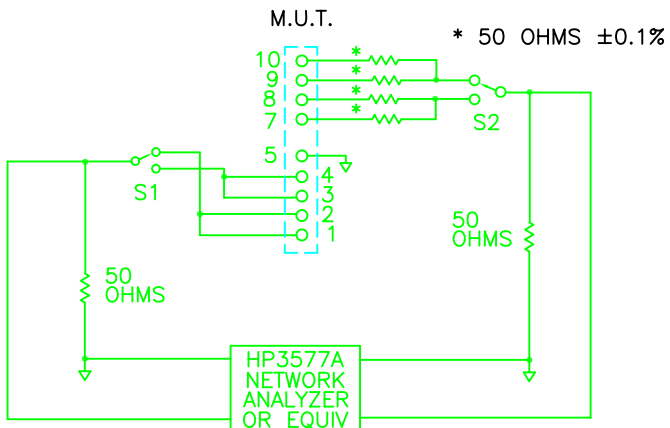
TEST PROCEDURES: (CONTINUED)



CROSSTALK
FIGURE 7

6. CROSSTALK: (SAMPLE TEST) FIGURE 7 USE FIXTURE ITEM 22 CALIBRATE THE NETWORK ANALYZER IN THE S21 MODE BY SHORTING (1-3) AND SHORTING (2-4). DO A THRU CALIBRATION. MEASURE THE CROSSTALK BETWEEN THE TWO CHANNELS OVER THE RANGE OF 5 MHZ TO 50 MHZ. THE CROSSTALK ATTENUATION SHALL BE WITHIN THE FOLLOWING LIMITS:

FREQUENCY	ATTENUATION (S21)
5 MHZ	-45 dB MIN.
10 MHZ	-40 dB MIN.
30 MHZ	-30 dB MIN.
50 MHZ	-20 dB MIN.



COMMON MODE REJECTION
FIGURE 8

7. COMMON MODE REJECTION: (SAMPLE TEST) FIGURE 8 USE FIXTURE ITEM 23 CALIBRATE THE NETWORK ANALYZER IN THE S21 MODE BY CONNECTING A 50 OHM COAXIAL CABLE BETWEEN THE OUTPUT AND INPUT PORTS OF THE S PARAMETERS TEST SET AND PERFORM A THRU CALIBRATION. REMOVE THE SHORT AND CONNECT THE TEST UNIT PER FIGURE 16. MEASURE THE COMMON MODE REJECTION AT THE FREQUENCIES BELOW. THE COMMON MODE SHALL BE WITHIN THE LIMITS ON BOTH CHANNELS.

TRANSMIT (1-2)	
FREQUENCY	ATTENUATION (S21)
5 MHZ	-35 dB MIN.
10 MHZ	-31 dB MIN.
30 MHZ	-55 dB MIN.
50 MHZ	-55 dB MIN.
100 MHZ	-45 dB MIN.
200 MHZ	-40 dB MIN.

RECEIVE (3-4)	
FREQUENCY	ATTENUATION (S21)
5 MHZ	-35 dB MIN.
10 MHZ	-30 dB MIN.
30 MHZ	-50 dB MIN.
45 MHZ	-45 dB MIN.
100 MHZ	-45 dB MIN.
200 MHZ	-40 dB MIN.

UNLESS OTHERWISE SPECIFIED, ALL DIMENSIONS ARE IN INCHES TOLERANCES ARE:

DECIMALS .XX ±.01 ± 1' ANGLES .XXX ±.005
DO NOT SCALE DRAWING

SIZE: CAGE CODE: DWG. NO.:
B01961
SCALE: NONE CADD FILE

PE-68017SNL
SHEET 6 OF 7

Mouser Electronics

Authorized Distributor

Click to View Pricing, Inventory, Delivery & Lifecycle Information:

Pulse:

[PE-68017SNL](#)