

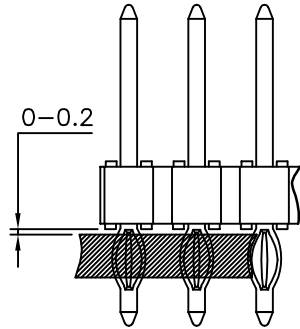
PRODUCT NUMBER
93689-YXX-XXLF

PLATING, SEE TABLE

LEAD FREE
SEE NOTE 6 & 7

TOTAL NB OF POS
02 TO 36

PIN STYLE	DIM "A" REF	DIM "B" ±0.3	DIM "L" REF
01	7.50	4.50	14.78
02	10.14	4.50	17.40
03	5.68	4.50	12.83
04	14.80	4.75	22.15
05	8.30	4.50	15.44
06	6.80	3.60	12.90
07	17.50	3.60	23.85
08	12.20	3.00	17.74
09	9.26	3.20	14.96



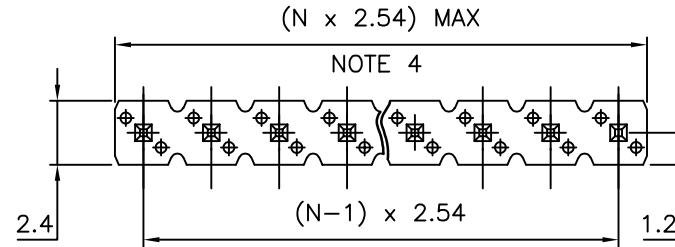
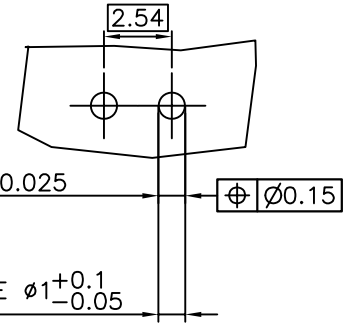
RECOMMENDED POSITION ON THE PCB

DRILLED HOLE $\phi 1.15 \pm 0.025$

Cu 25 μ m-65 μ m

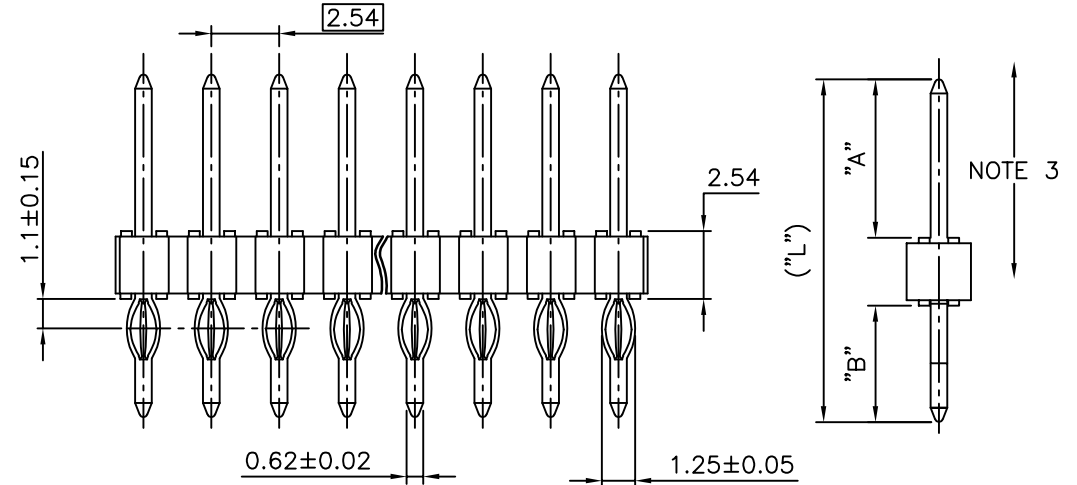
Sn 8 μ m-18 μ m

FINISHED PLATED HOLE $\phi 1^{+0.1}_{-0.05}$



NOTES:

- HOUSING MAT'L : HIGH TEMPERATURE THERMOPLASTIC. UL94V-0 COLOR: BLACK
- PIN MATERIAL : PHOSPHOR BRONZE
- 9N MIN RETENTION IN EITHER DIRECTION
- TO DETERMINE DIMENSIONS :
N = NUMBER OF POSITIONS PER ROW
EXAMPLE : 8 POS PER ROW, $N \times 2.54 = 20.32\text{mm}$
- STANDARD PACKAGING IN POLYBAGS
- LEAD FREE CONNECTOR
- "LF" MEANS THAT THE PRODUCT IS RoHS COMPLIANT THEN MEETS EUROPEAN UNION DIRECTIVES AND OTHER COUNTRY REGULATION AS DESCRIBED IN GS-47-004



PLATING NUMBER	CONTACT AREA	PRESS FIT TAIL AREA
XXXXX-TXXLF	2 μ m MIN FULL MATTE TIN PIN TYP PLATED OVER 1.27 μ m Ni MIN	
XXXXX-9XXLF	0.2 μ m GOLD OVER 1.27 μ m Ni MIN	
XXXXX-5XXLF ONLY AVAILABLE UPON REQUEST	0.25 μ m GOLD/GXT OVER 1.27 μ m Ni MIN	1.0 μ m TIN OVER 1.27 μ m
XXXXX-4XXLF	3.05 μ m TIN OVER 1.27 μ m Ni MIN	
XXXXX-1XXLF	0.76 μ m GOLD/GXT OVER 1.27 μ m Ni MIN	1.0 μ m TIN OVER 1.27 μ m

mat'l. code		surface		tolerance		projection		product family	
		ISO 1302		ISO 406 ISO 1101		mm		BERGSTIK	
ltr	ecn no	dr	date	tolerances unless otherwise specified		mm		title	
R	B-20781	AMA	15.04.28	angles	linear	.x ±0.3 .xx ±0.15 .xxx ±0.05		HEADER P-FIT SINGLE ROW	
S	F-47107	DDE	23.01.25			scale 5:1		dwg no	
L	B-16777	JCO	14.01.21	dr	COMPAGNON J	95.07.25		sheet 1 of 1	
M	B-18988	LMU	14.10.06	engr	JMC	95.07.24		size	
N	B-16427	LMU	14.11.04	chr				93689	
P	B-20744	LMU	15.04.23	appd	JMC	95.07.25		A3	
sheet index		revision sheet						type CUSTOMER Drawing	