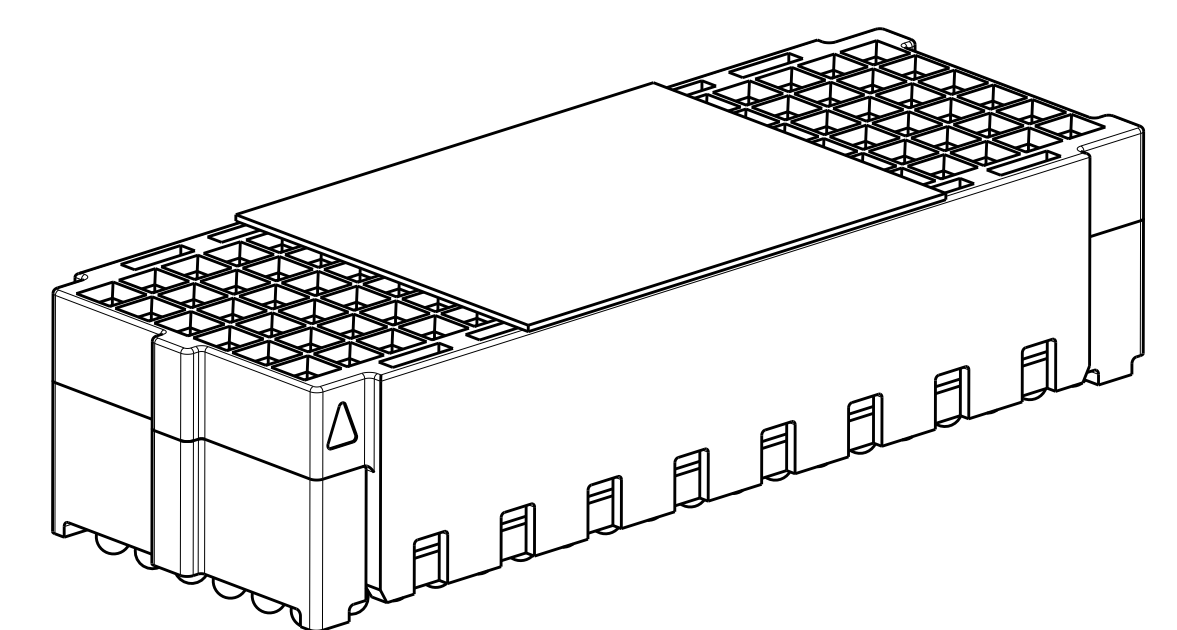
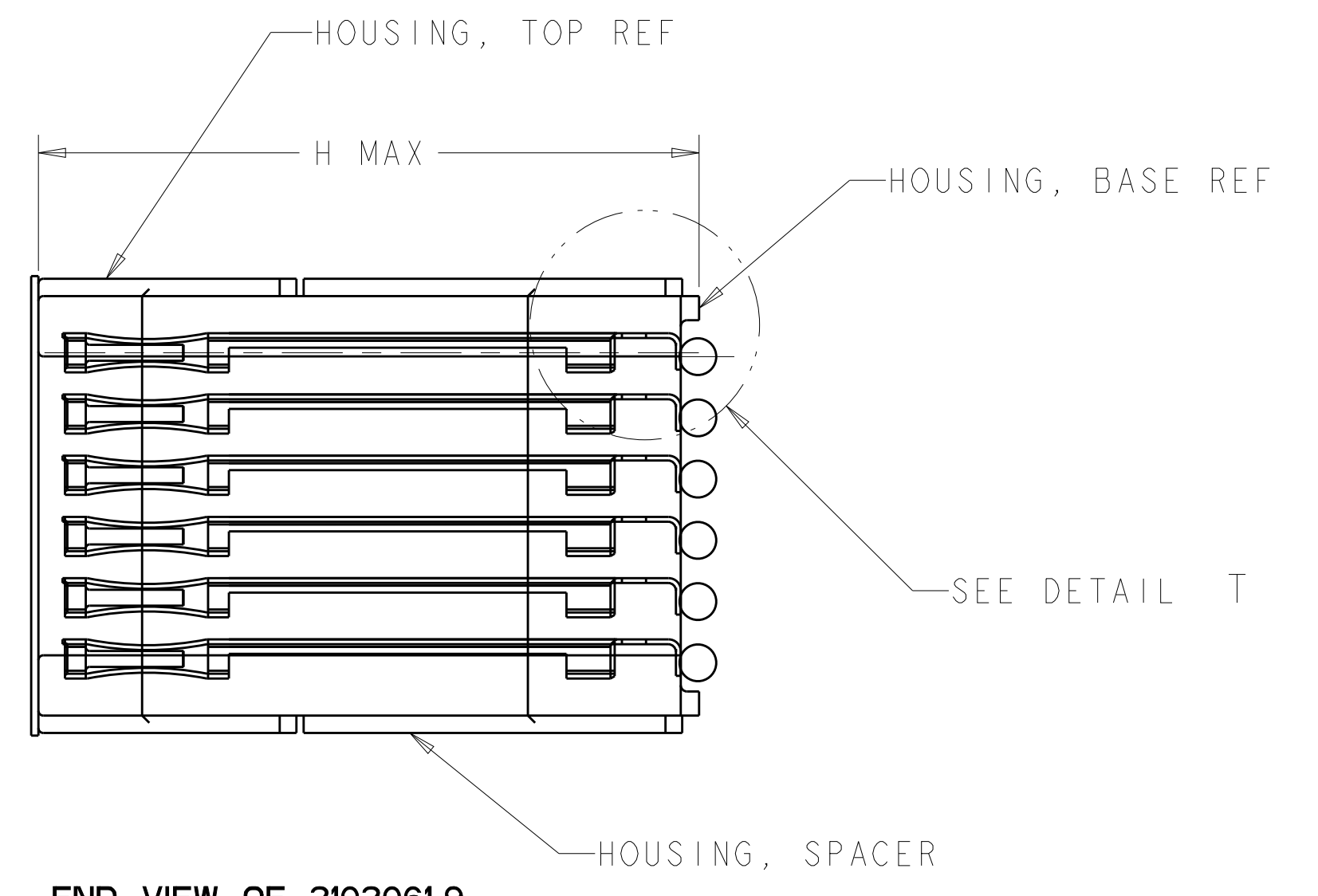
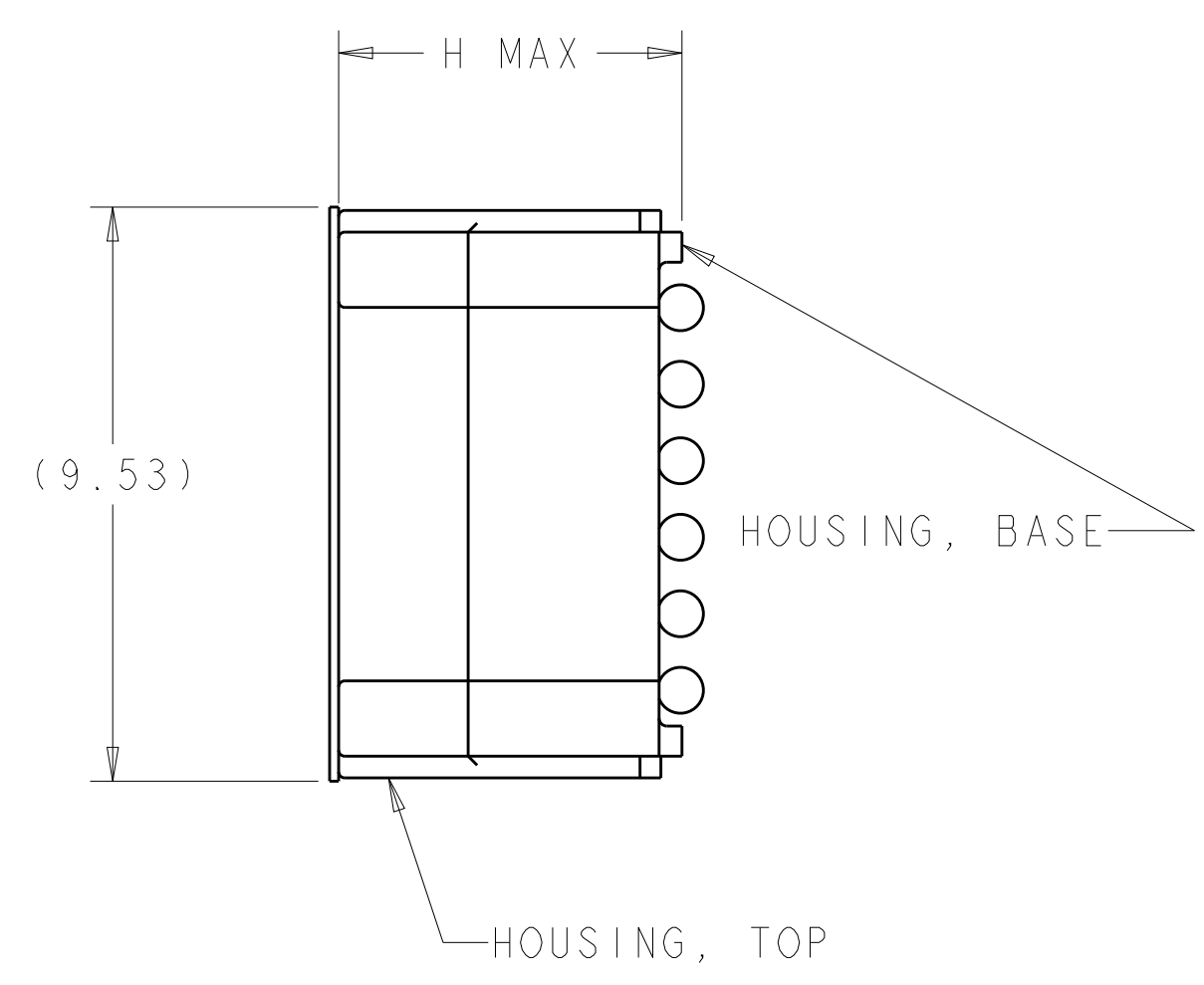
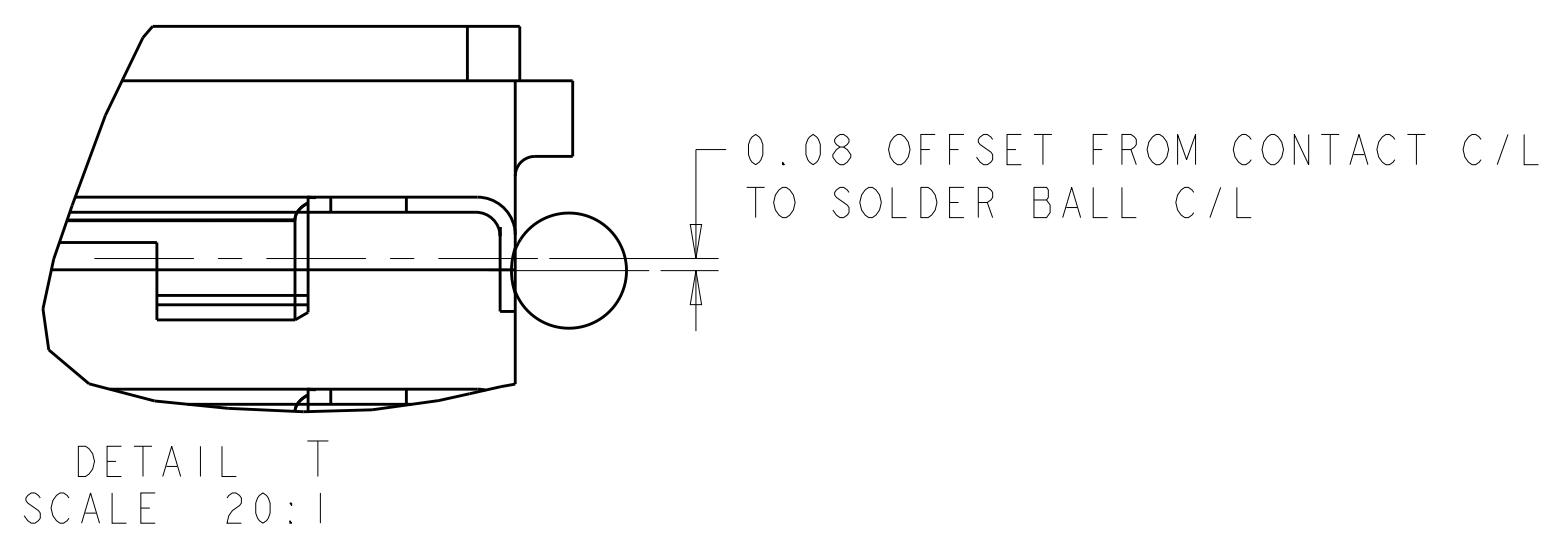
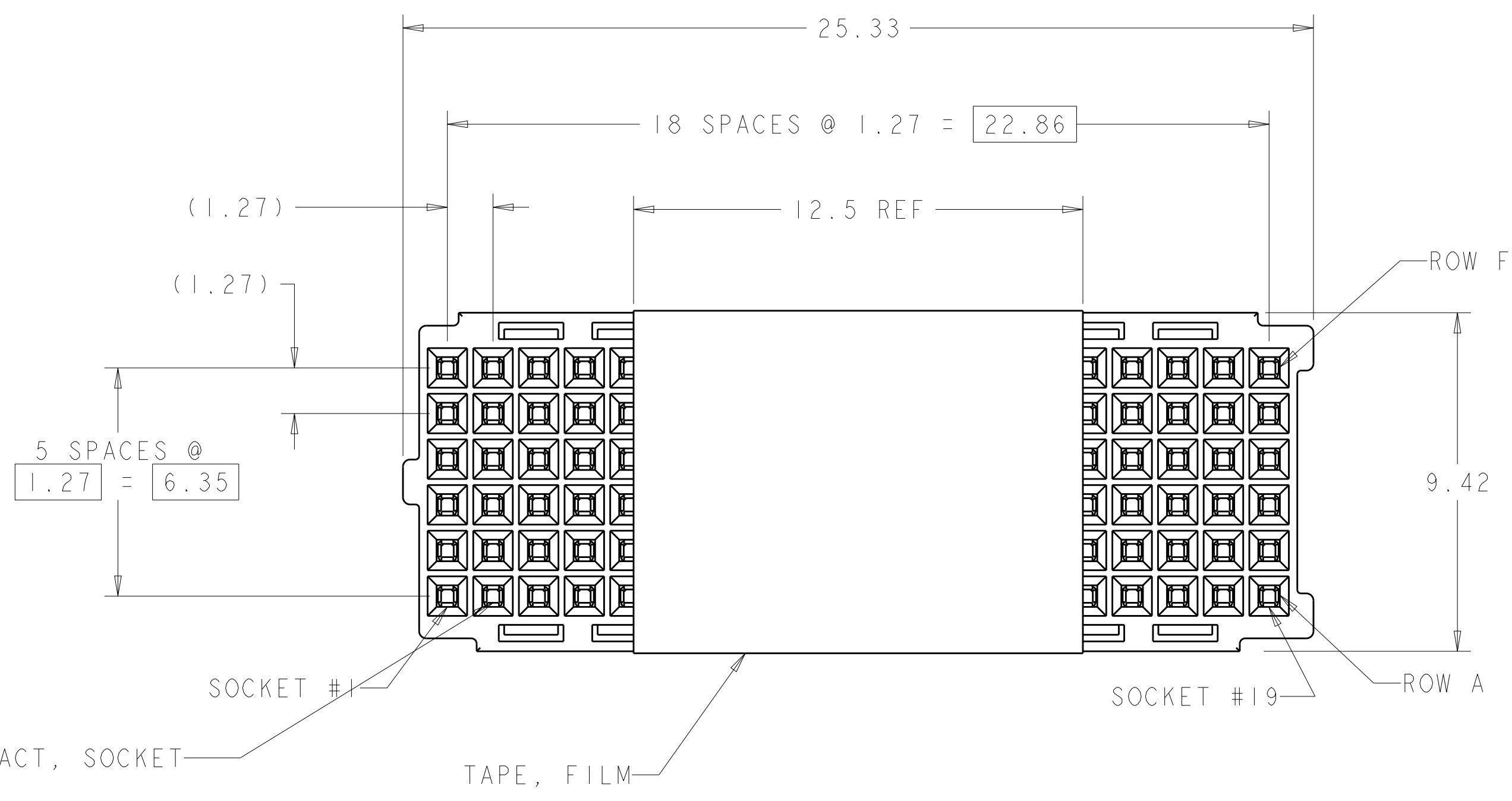
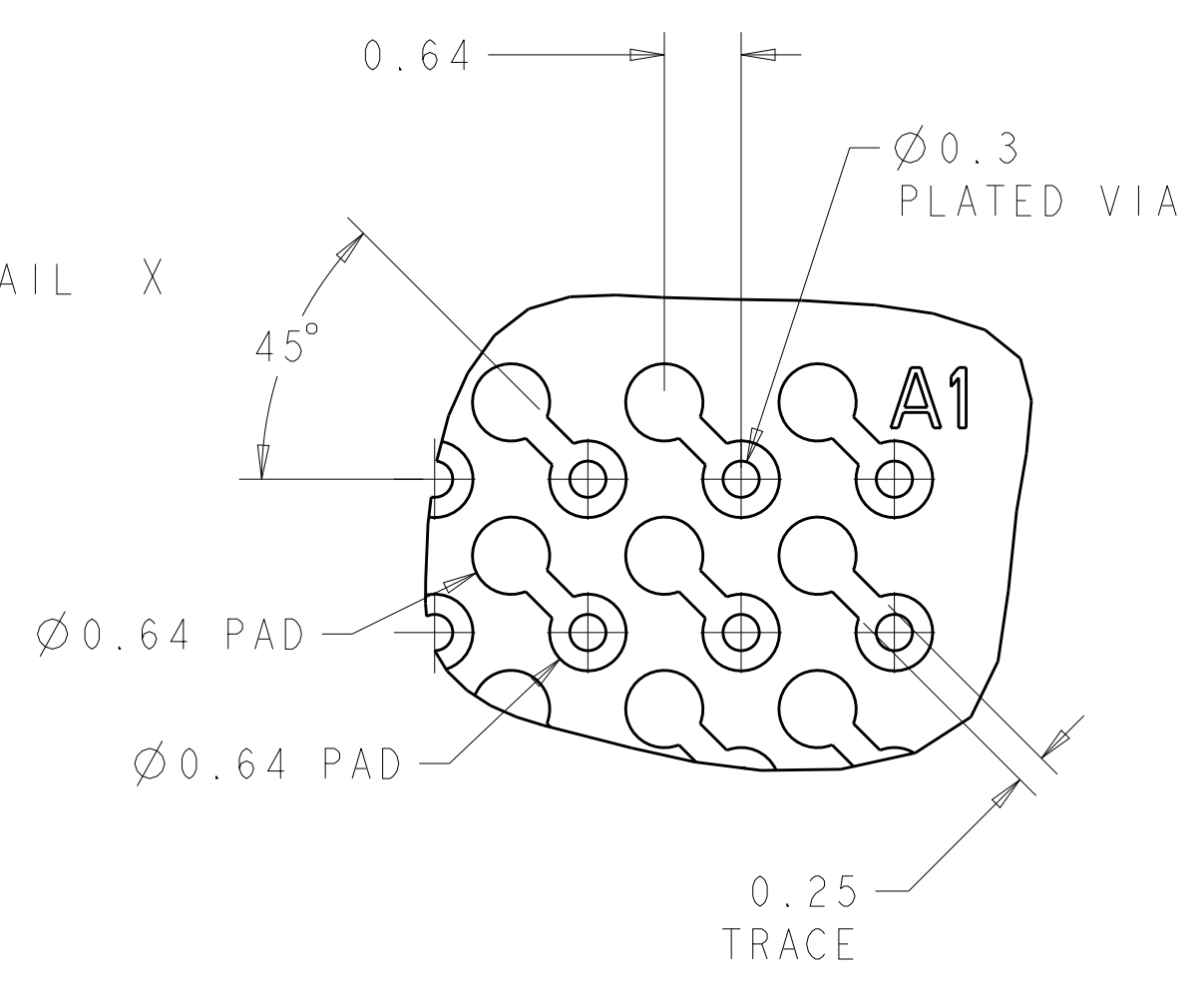
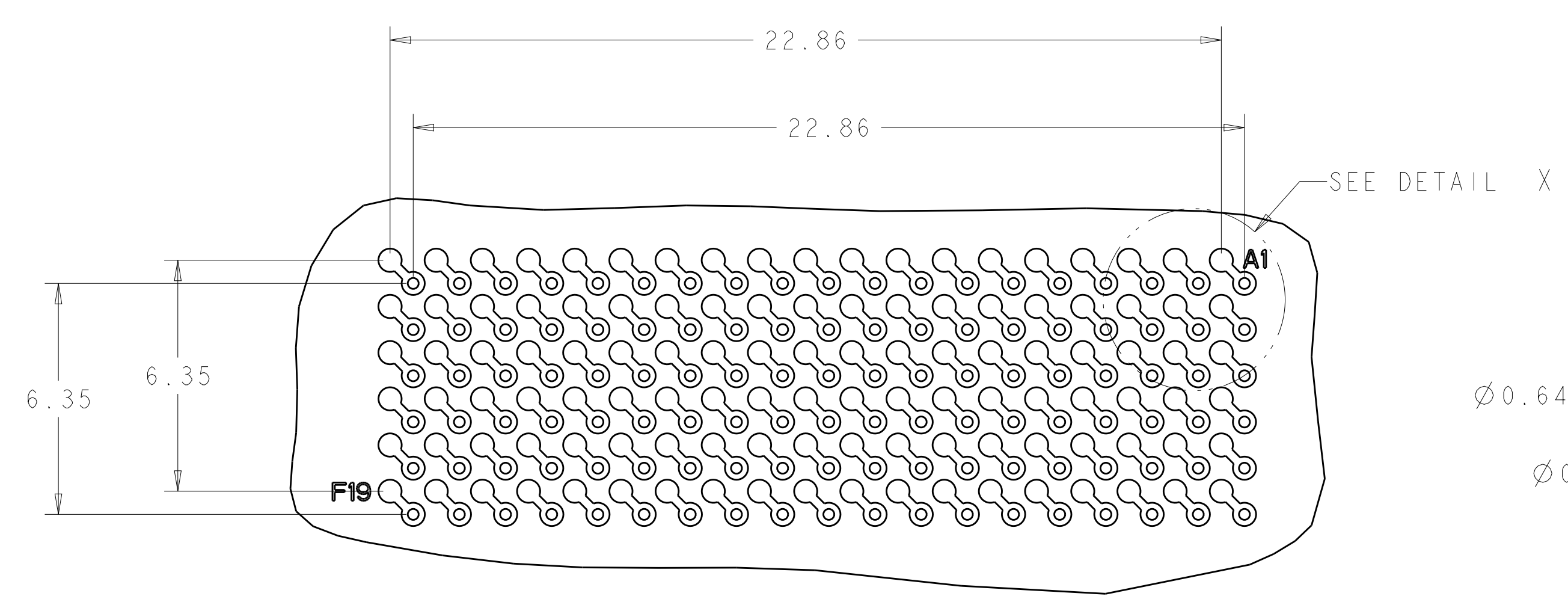
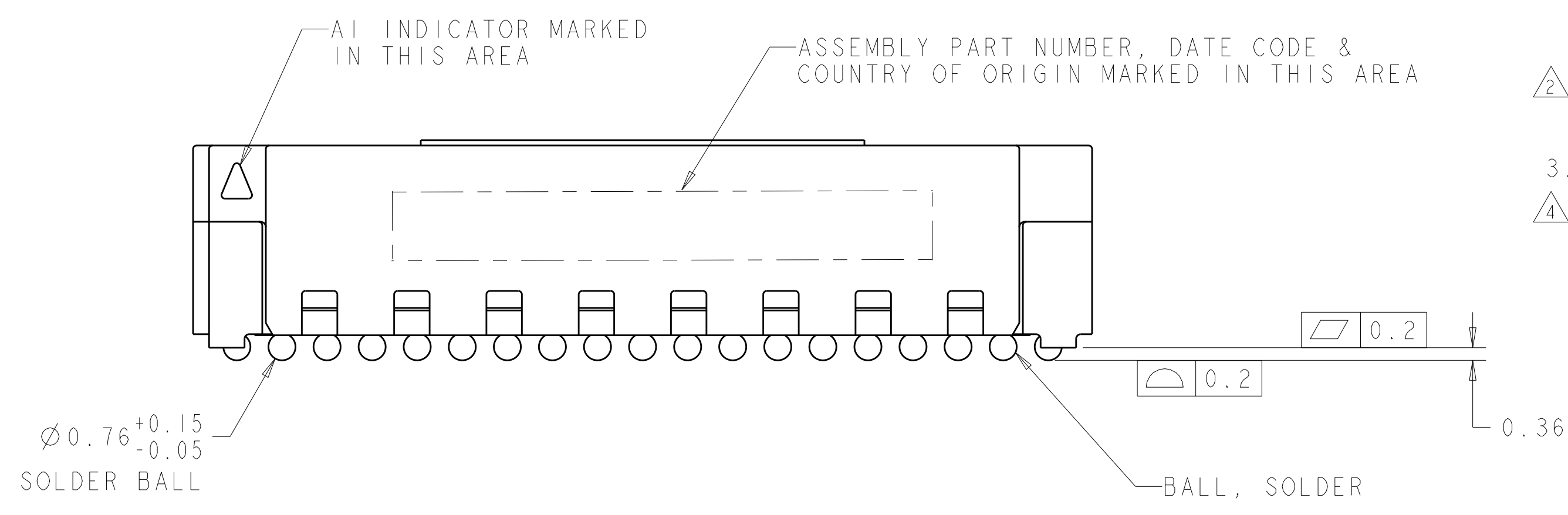


| REVISIONS | | | | | |
|-----------|-----|-----------------------|---------|-----|------|
| P. | LTN | DESCRIPTION | DATE | DMN | APVD |
| J | | REV PER ECO 18-010457 | 7-24-18 | CT | CJ |



- ⚠ MATERIAL: HOUSINGS; LCP, COLOR-NATURAL CONTACT; BERYLLIUM COPPER SOLDER BALL; SEE TABLE TAPE, FILM; KAPTON WITH SILICON ADHESIVE
- ⚠ FINISH: CONTACT; GOLD (SEE TABLE) ON MATING AREA OVER NICKEL ON ENTIRE CONTACT.
- 3. PRODUCT IS PACKAGED ON TAPE AND REELED.
- ⚠ PRELIMINARY PART



| MATING PART NUMBER | MATED STACK HEIGHT (mm) | GOLD PLATING THICKNESS | H MAX REF | SOLDER BALL MATERIAL | PART NUMBER |
|--------------------|-------------------------|------------------------|-----------|----------------------|-------------|
| 2102060-2 | 17 | 1.27 μ m | 13 | LEAD FREE PER SAC405 | 1-2102061-8 |
| 2102060-1 | 17 | 1.27 μ m | 13 | TIN LEAD | 1-2102061-7 |
| 2102060-4 | 15 | 0.76 μ m | 11 | LEAD FREE PER SAC405 | 1-2102061-6 |
| 2102060-3 | 15 | 0.76 μ m | 11 | TIN LEAD | 1-2102061-5 |
| 2102060-2 | 15 | 1.27 μ m | 11 | LEAD FREE PER SAC405 | 1-2102061-4 |
| 2102060-1 | 15 | 1.27 μ m | 11 | TIN LEAD | 1-2102061-3 |
| 2102060-4 | 8 | 0.76 μ m | 14 | LEAD FREE PER SAC405 | 1-2102061-2 |
| 2102060-3 | 18 | 0.76 μ m | 14 | TIN LEAD | 1-2102061-1 |
| 2102060-2 | 18 | 1.27 μ m | 14 | LEAD FREE PER SAC405 | 1-2102061-0 |
| 2102060-1 | 18 | 1.27 μ m | 14 | TIN LEAD | 2102061-9 |
| 2102060-4 | 12 | 0.76 μ m | 8 | LEAD FREE PER SAC405 | 2102061-8 |
| 2102060-3 | 12 | 0.76 μ m | 8 | TIN LEAD | 2102061-7 |
| 2102060-4 | 10 | 0.76 μ m | 6 | LEAD FREE PER SAC405 | 2102061-6 |
| 2102060-3 | 10 | 0.76 μ m | 6 | TIN LEAD | 2102061-5 |
| 2102060-2 | 12 | 1.27 μ m | 8 | LEAD FREE PER SAC405 | 2102061-4 |
| 2102060-1 | 12 | 1.27 μ m | 8 | TIN LEAD | 2102061-3 |
| 2102060-2 | 10 | 1.27 μ m | 6 | LEAD FREE PER SAC405 | 2102061-2 |
| 2102060-1 | 10 | 1.27 μ m | 6 | TIN LEAD | 2102061-1 |

PCB LAYOUT (CONNECTOR SIDE) SCALE 8:1

THIS DRAWING IS A CONTROLLED DOCUMENT. DWG: G. DOWDY 23JUL2009. CHK: K. DOWHOWER 23JUL2009. APVD: K. DOWHOWER 23JUL2009.

TE Connectivity

ASSEMBLY, SOCKET, 114 POSITION, MEZALOK STACKING CONNECTOR

SIZE: CAGE CODE: DRAWING NO: 114-13279. WEIGHT: 108-2411. APPLICATION SPEC: 114-13279. CUSTOMER DRAWING: A100779C=2102061. SCALE: 8:1. SHEET 1 OF 1. REV J.

Mouser Electronics

Authorized Distributor

Click to View Pricing, Inventory, Delivery & Lifecycle Information:

[TE Connectivity:](#)

[2102061-6](#)