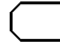
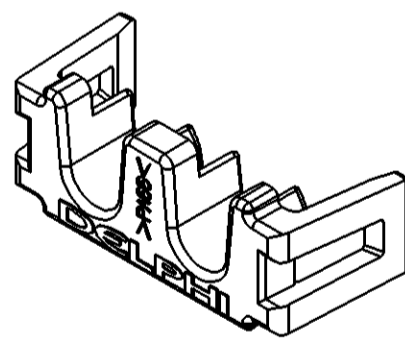
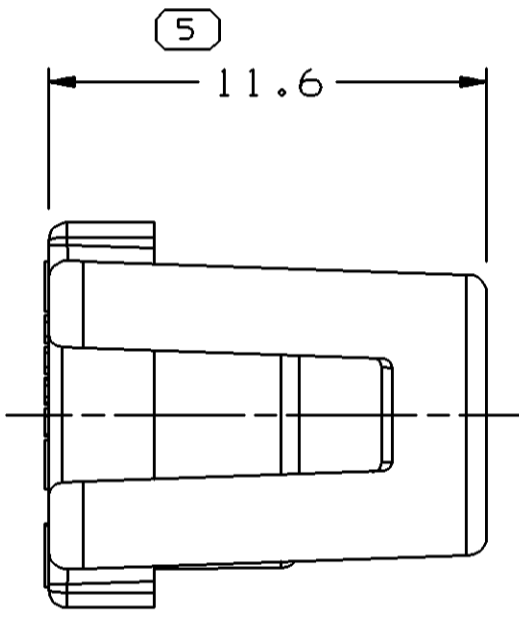
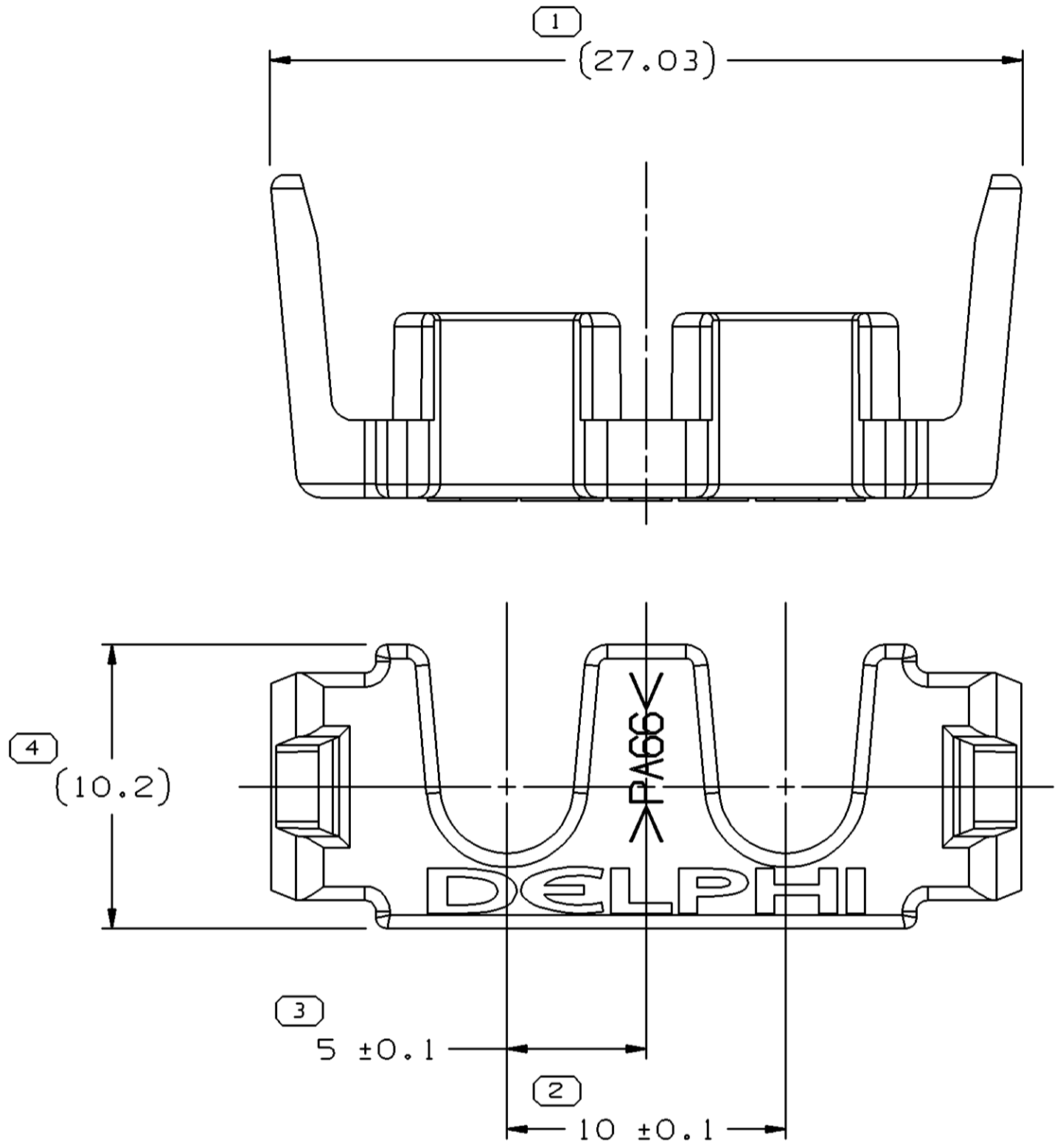


SYMBOL DEFINITION		MISSING SYMBOLS	
A DIMENSION WITHOUT AN INSPECTION REPORT SYMBOL  DOES NOT REQUIRE INSPECTION. IT MAY BE CONTROLLED ON THE INDIVIDUAL COMPONENT DRAWING.	TOTAL NO. OF INSPECTIONS REQUIRED	5	NO MISSING SYMBOL NUMBER
	LAST NO. USED	5	

DWG STATUS					ZONE	REVISION HISTORY	AUTH	DR	APVD 1	APVD 2
DATE	STG	REV	N/P	CHG						
31JA03	R	01	-	-		PART DRAWING CREATED	236432	LMB	LMB	EJH
22JL03	R	01	AA	-		UPDATED PDM ATTRIBUTES	243644	ECB	AUG	EJH
27AU03	R	02	-	-		REVISED GRAPHICS	245124	ECB	AUG	EJH
15DE03	R	02	AA	-		UPDATED PDM ATTRIBUTES	250033	TLD	TLD	EJH

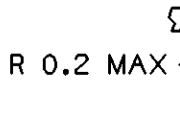


VIEW SCALE DOES NOT REFLECT ACTUAL PART SIZE

- NOTES
- UNLESS OTHERWISE SPECIFIED AND/OR INDICATED: DIMENSIONS ARE TO FACE OF VIEW SHOWN AND AUTOMATICALLY ROUNDED BY COMPUTER FOR INSPECTION (SEE MATH MODEL FOR PRECISE DIMENSIONS). FOR ALL OTHER DIMENSIONS NOT SHOWN BUT REQUIRED FOR TOOL BUILD, SEE MATH MODEL FOR PRECISE TOOL PATH DATA.
 - MATERIAL RECYCLING CODE PER ISO 11469. (1.15)X(0.1) RAISED CHARACTERS AS SHOWN TO BE LOCATED ON ANY EXTERIOR SURFACE. OPTIONAL CONSTRUCTION TO BE NO MATERIAL RECYCLING CODE.
 - MATING COMPONENTS OR EQUIVALENT: CONNECTOR 15454359
 - (1.6)X(0.1) RAISED DELPHI CORPORATE BRAND TO BE LOCATED ON ANY EXTERIOR SURFACE, PREFERABLY VISIBLE AT FINAL ASSEMBLY. OPTIONAL CONSTRUCTION TO BE "PED" OR NO LOGO.

DWG TYPE		PART DRAWING	
STYLE			
VOLUME (CM ³)	0.742	DISTR CODE	D
ROUTING	6900		
UNLESS OTHERWISE SPECIFIED			
THIS DOCUMENT IS IN ACCORDANCE WITH ASME Y14.5M-1994 AS AMENDED BY THE GM GLOBAL DIMENSIONING AND TOLERANCING ADDENDUM - 1997. ALL GEOMETRIC TOLERANCES AND RELATED DATUMS APPLY RFS. RULE #1 (PERFECT FORM AT MMC) DOES NOT APPLY WHEN RELATIONSHIP BETWEEN FEATURES IS ESTABLISHED BY ORIENTATION OR LOCATION TOLERANCES. SEPARATE POSITION CALLOUTS MAY BE GAGED SEPARATELY, REGARDLESS OF DATUM REFERENCE.			
ALL DIMENSIONS ARE IN MILLIMETERS			
REFERENCE			

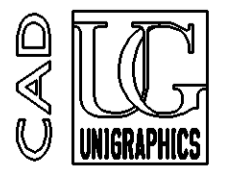
DELPHI			
DELPHI PACKARD ELECTRIC SYSTEMS WARREN, OH			
DR		LOUIS M. BASKIN	
APVD1		LOUIS M. BASKIN	
APVD2		LOUIS M. BASKIN	
APVD3		ERIC J. HAROLDSON	
APVD4			
APVD5			
SUBSTANCES OF CONCERN AND RECYCLED CONTENT PER DELPHI 10949001			
MATERIAL			
M3592025 PA66 HS 1M MD GRA			
DRAWING NAME			
LOCK TPA GT 630 2 GRA MD			
DRAWING NUMBER			
15454362			
SIZE	SCALE	FRAME NO	SHEET NO
A2	5:1	1 OF 1	1 OF 1
STG	REV	N/P	AA
R	02		

 R 0.2 MAX SHARP CORNER TOLERANCE	DIMENSIONAL RANGE (MM)										CHART E1
	FROM	> 0	> 20	> 30	> 70	> 100	> 150	> 200	> 250	> 300	> 400
TO	20	30	70	100	150	200	250	300	400		
TOLERANCE UNLESS OTHERWISE SPECIFIED											
±0.15 ±0.2 ±0.3 ±0.4 ±0.5 ±0.6 ±0.8 ±1 ±1.2											
ANGULAR TOLERANCE ±2°											

THIRD ANGLE PROJECTION

DO NOT SCALE

USE MATH DATA



Mouser Electronics

Authorized Distributor

Click to View Pricing, Inventory, Delivery & Lifecycle Information:

[Aptiv:](#)

[15454362](#)