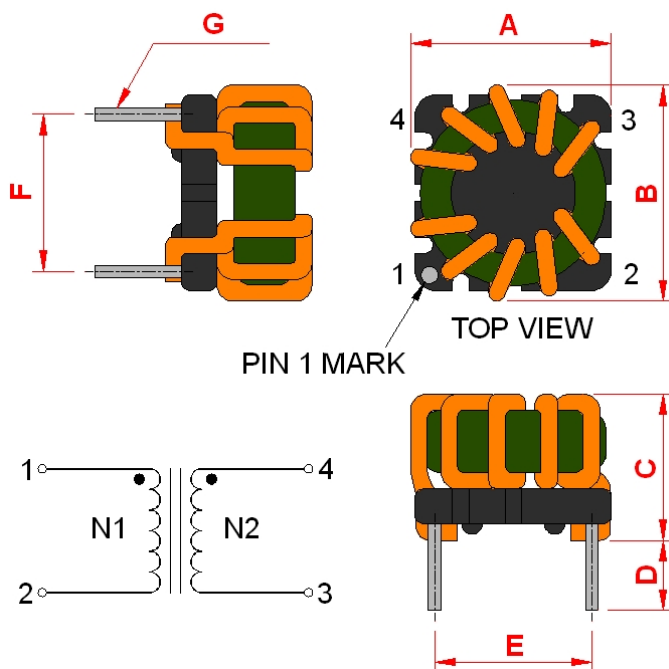
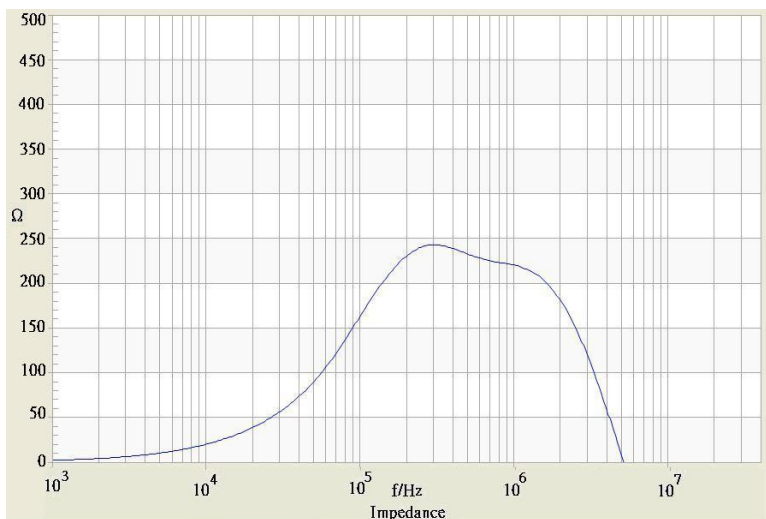


Common mode choke

Order code	TCK-073
Inductance	Pin 1-2: 305 $\mu\text{H} \pm 35\%$ (at 100 kHz / 100 mV) Pin 3-4: 305 $\mu\text{H} \pm 35\%$ (at 100 kHz / 100 mV)
Rated current	11.3 A max.
DCR	Pin 1-2: 20 m Ω Pin 3-4: 20 m Ω
Rated voltage	500 VDC
Operating temperature	-40 to +105°C

Impedance curve



Dimensions [mm]

A	16.0 max.
B	16.0 max.
C	15 max.
D	4.0 ±0.3
E	10.0 ±0.3
F	7.4 ±0.3
G	∅ 0.8

Mouser Electronics

Authorized Distributor

Click to View Pricing, Inventory, Delivery & Lifecycle Information:

[TRACO Power:](#)

[TCK-073](#)