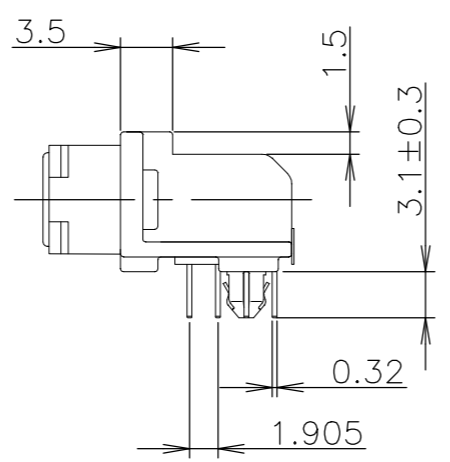
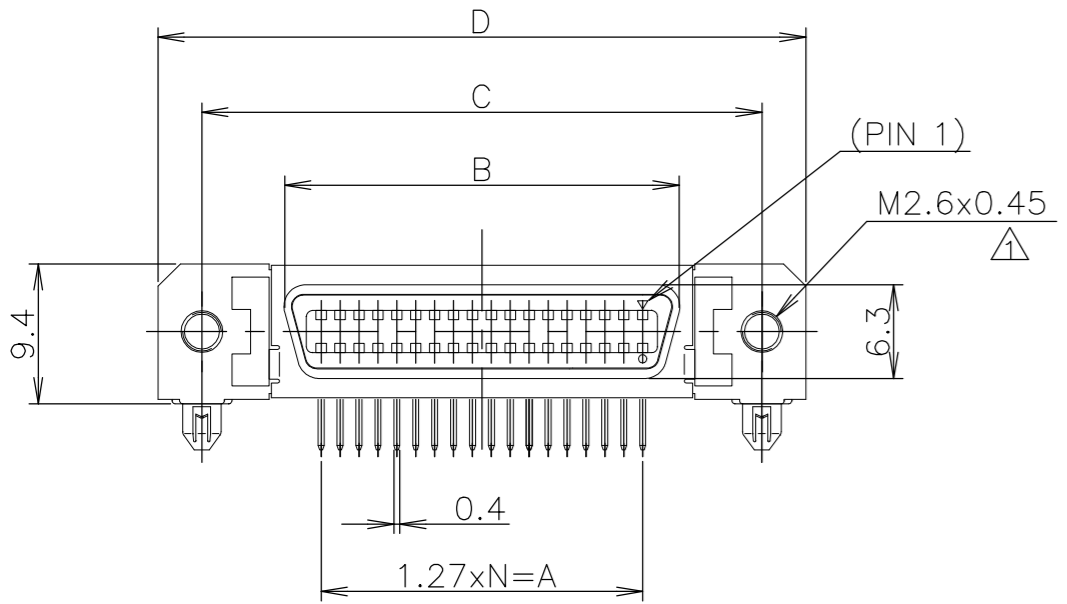
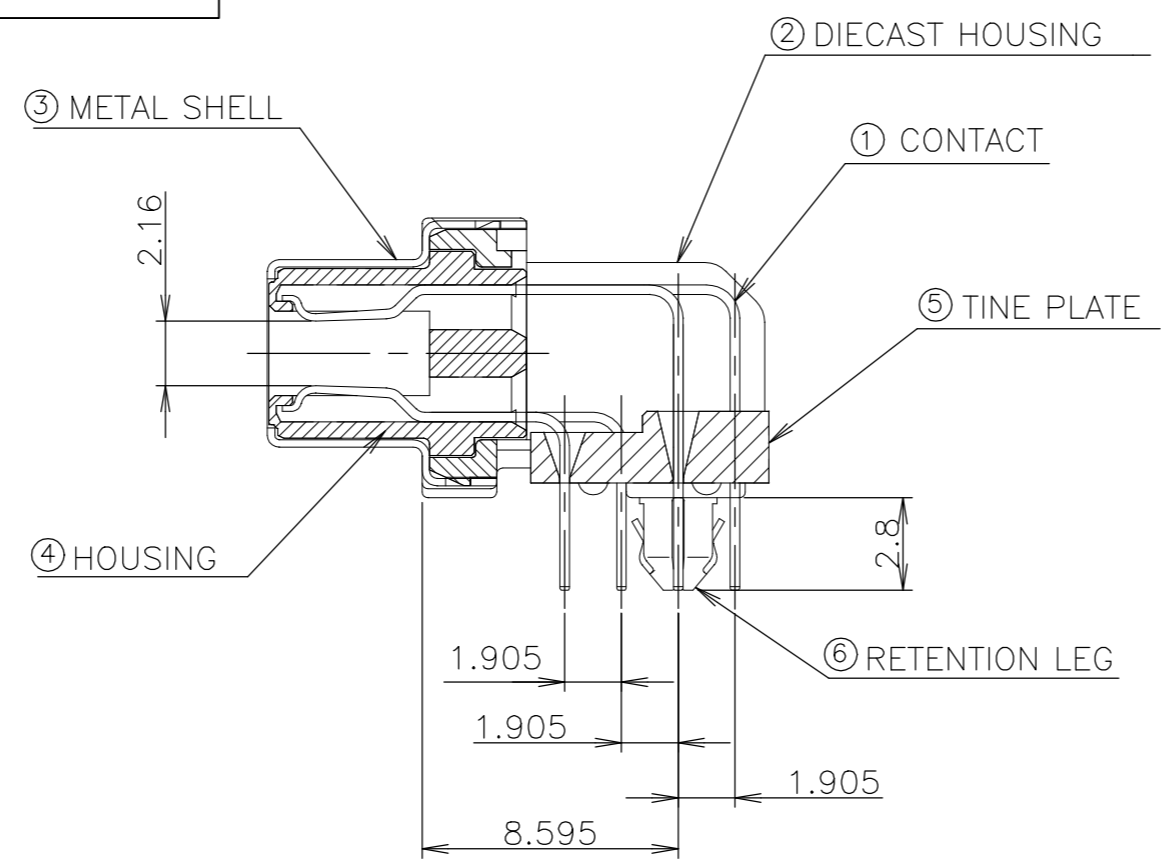
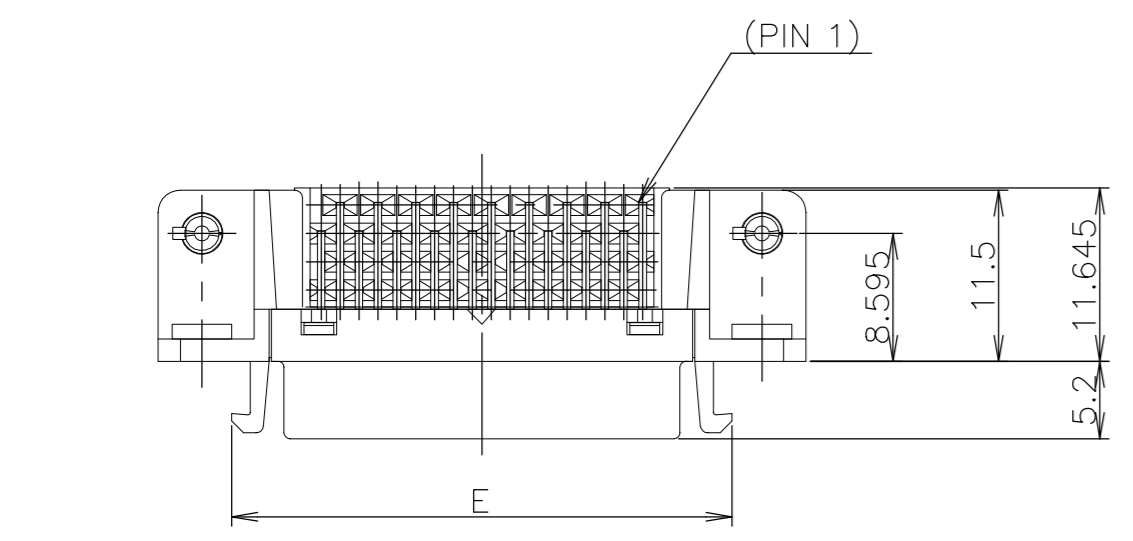
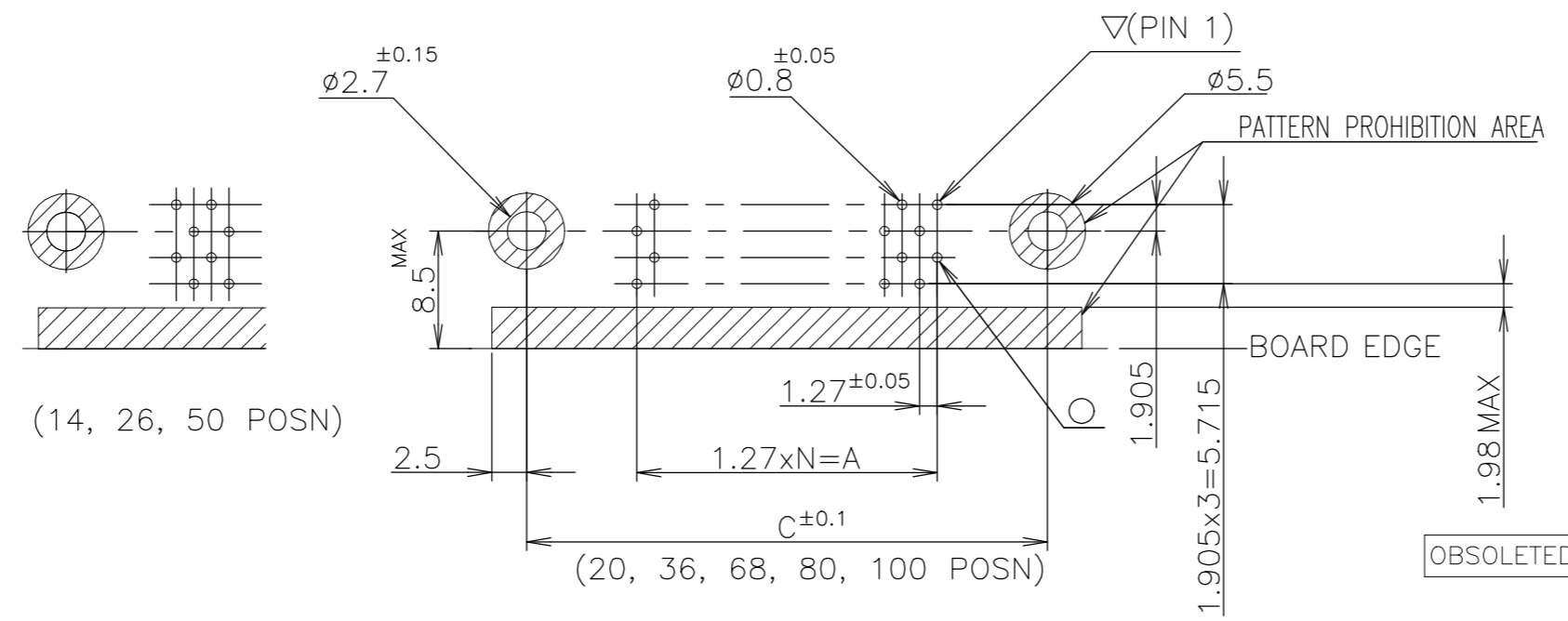
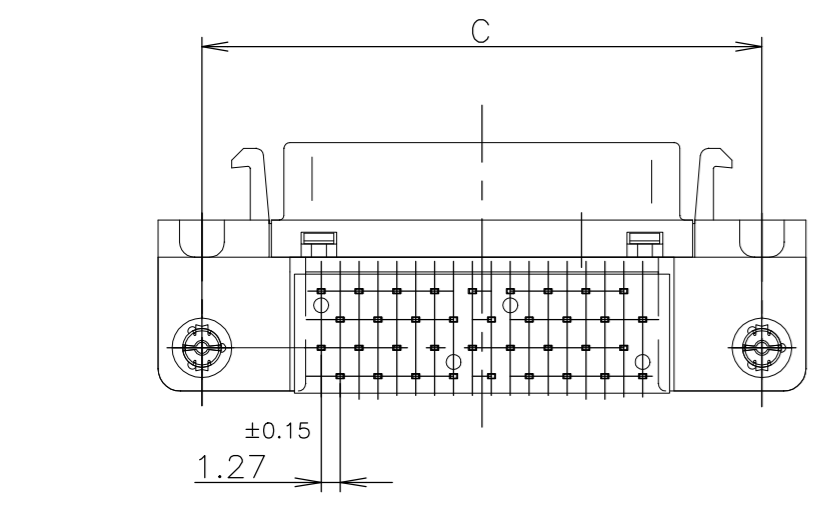


REVISIONS					
P	LTR	DESCRIPTION	DATE	DWN	APVD
B		REVISED PER ECO-17-008763	21JAN2018	RG	SH



ITEM	MATERIAL	FINISH
①	COPPER ALLOY	NICKEL UNDER PLATE ALL OVER CONTACT AREA ; Au(0.3u, 0.76u) SOLDER TINE AREA ; TIN PLATE
②	ZINC	NICKEL PLATING
③	STEEL t0.25	NICKEL PLATE OVER COPPER UNDERPLATE
④	THERMO-PLASTIC(UL:94V-0)	COLOR; BLACK
⑥	COPPER ALLOY	TIN PLATE OVER NICKEL UNDERPLATE

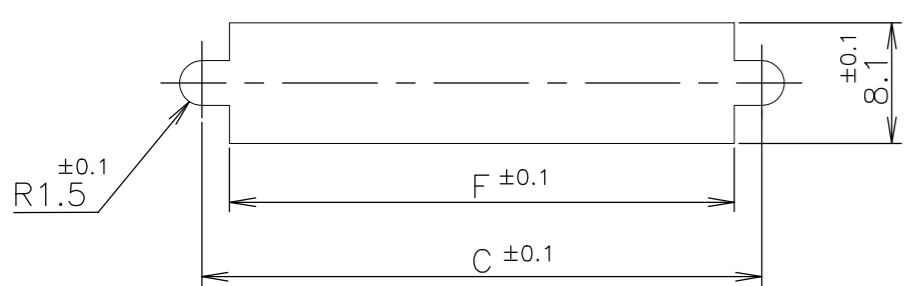
- NOTES:  
 ▲ RECOMMENDED SCREW SIZE ; M2.6 PANHEAD SCREW(L=5)  
 2. RECOMMENDED P.C BOARD THICKNESS ; 1.6mm (REF)  
 3. CONNECTOR TO BE MATED;175677  
 4. INSERTION FORCE OF RETENTION LEG TO P.C.B; 21.56N(2.2kgf) MAX/CONNECTOR.  
 5. RETENTIVITY OF RETENTION LEG TO P.C.B; 4.9N(0.5kgf) MIN/CONNECTOR.



(14, 26, 50 POSN)

(20, 36, 68, 80, 100 POSN)

RECOMMENDED PC BOARD MOUNTING DIMMENSION  
 (COMPONENT SIDE)



RECOMENDED PANEL CUTOUT  
 THK,2mm MAX

39	61.9	61.55	71.45	65.55	54.53	49.53	0.76um	80	3-5178238-0
49	74.6	74.25	84.15	78.25	67.23	62.23	0.76um	100	2-5178238-9
33	54.2	53.93	63.83	57.93	46.91	41.91	0.76um	68	2-5178238-8
24	42.8	42.50	52.40	46.50	35.48	30.48	0.76um	50	2-5178238-7
17	33.9	33.61	43.51	37.61	26.59	21.59	0.76um	36	2-5178238-5
12	27.6	27.26	37.16	31.26	20.24	15.24	0.76um	26	2-5178238-4
9	23.8	23.45	33.35	27.45	16.43	11.43	0.76um	20	2-5178238-2
6	19.9	19.64	29.54	23.64	12.62	7.62	0.76um	14	2-5178238-1
39	61.9	61.55	71.45	65.55	54.53	49.53	0.3 um	80	1-5178238-0
<del>49</del>	<del>74.6</del>	<del>74.25</del>	<del>84.15</del>	<del>78.25</del>	<del>67.23</del>	<del>62.23</del>	<del>0.3 um</del>	<del>100</del>	<del>5178238-9</del>
33	54.2	53.93	63.83	57.93	46.91	41.91	0.3 um	68	5178238-8
24	42.8	42.50	52.40	46.50	35.48	30.48	0.3 um	50	5178238-7
17	33.9	33.61	43.51	37.61	26.59	21.59	0.3 um	36	5178238-5
12	27.6	27.26	37.16	31.26	20.24	15.24	0.3 um	26	5178238-4
9	23.8	23.45	33.35	27.45	16.43	11.43	0.3 um	20	5178238-2
6	19.9	19.64	29.54	23.64	12.62	7.62	0.3 um	14	5178238-1
N	F	E	D	C	B	A	Au PLT.	POSITION	PART NO.

THIS DRAWING IS A CONTROLLED DOCUMENT. DWN T.KAWAMAE 13DEC04  
 CHK L.NENOMOTO 13DEC04  
 APVD L.NENOMOTO 13DEC04

TE Connectivity Ltd.

RECEPTACLE HDR ASSY (3.1mm)  
 RETENTION LEG TYPE  
 STANDARD CHAMP.050 SERIES (II)

108-5288

WEIGHT 0.000000

A2 00779 C=5178238

SCALE 2:1 SHEET 1 of 1 REV B

LEAD FREE

# Mouser Electronics

Authorized Distributor

Click to View Pricing, Inventory, Delivery & Lifecycle Information:

[TE Connectivity:](#)

[2-5178238-9](#)