

4

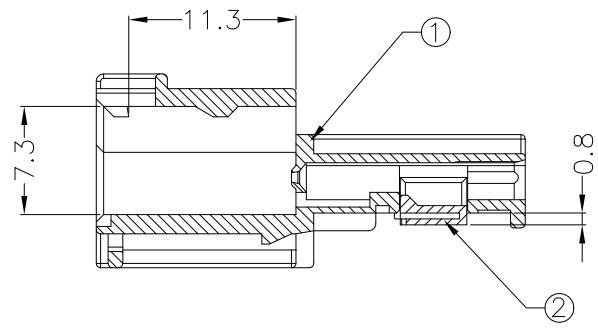
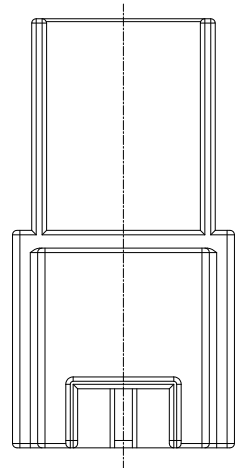
3

2

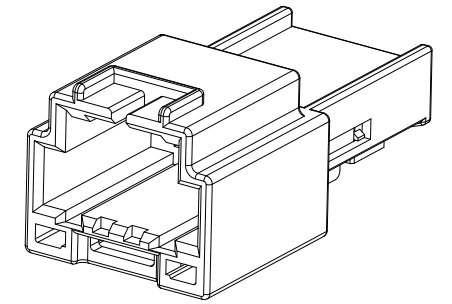
1

THIS DRAWING IS UNPUBLISHED. RELEASED FOR PUBLICATION  
© COPYRIGHT BY TYCO ELECTRONICS CORPORATION, ALL RIGHTS RESERVED.

LOC	DIST	REVISIONS					
		P	LTR	DESCRIPTION	DATE	DWN	APVD
DS	-			RELEASED (FC00-0050-02)	28.MAR.'02	HS	CS
				REVISED (ECR-09-002852)	10.FEB.'09	KT	HG



SECTION A-A  
(SCALE 2/1)



3D VIEW

NOTES

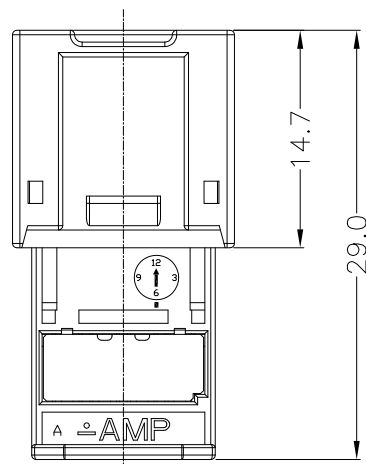
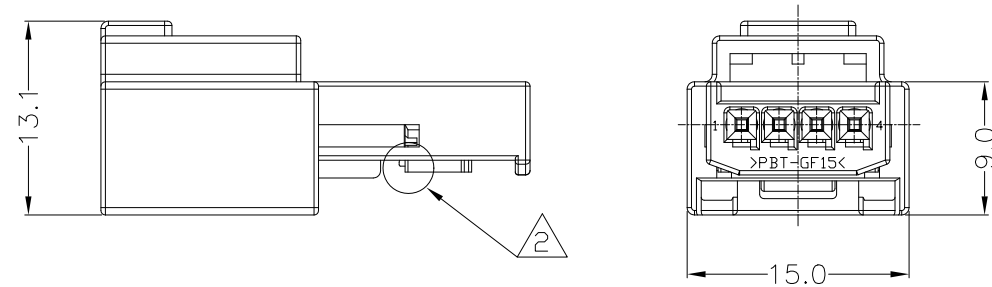
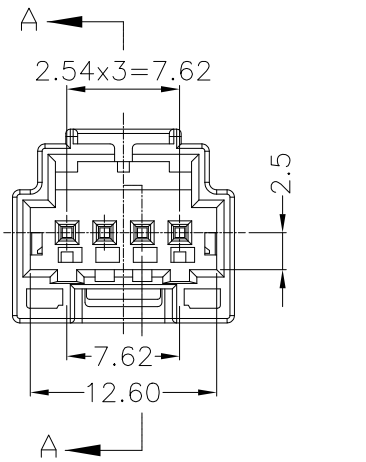
- GENERAL TOLERANCE IS ±0.3
- CONDITION OF DELIVERY : DBL IN 1ST LOCKING POSITION
- APPLIED CLIP HSG:

Part NO.	PANEL THICKNESS	PANEL HOLE SIZE
368165	0.7~1.6mm	
368373	0.5~2.0mm	

- APPLIED PLUG ASS'Y P/N: 936119
- APPLIED TAB CONTACT P/N:

Part NO.	928918	963716
WIRE SIZE(mm <sup>2</sup> )	0.25~0.5	0.75

ASSY P/N	936121-2	936121-1
----------	----------	----------



NO	COLOR	MATERIAL	DESCRIPTION	P/N	QTY
2	WHITE	PBT GF15	DBL HSG	936123-1	1
1	YELLOW	PBT GF15	CAP HSG	936122-2	1
	BLACK	PBT GF15	CAP HSG	936122-1	1

THIS DRAWING IS A CONTROLLED DOCUMENT FOR TYCO ELECTRONICS CORPORATION. IT IS SUBJECT TO CHANGE AND THE CONTROLLING ENGINEERING ORGANIZATION SHOULD BE CONTACTED FOR THE LATEST REVISION.

DIMENSIONS: MM	TOLERANCES UNLESS OTHERWISE SPECIFIED:
	0 PLC ±
	1 PLC ±
	2 PLC ±
	3 PLC ±
	4 PLC ±
	ANGLES ±
MATERIAL	FINISH
SEE TABLE	

DWN KT JUNG  
CHK JW JUNG  
APVD HG CHD  
PRODUCT SPEC -  
APPLICATION SPEC -  
WEIGHT -

**Tyco Electronics** AMP KOREA, Kyungsan, Korea  
NAME: MQS 4P CAP ASSEMBLY

SIZE: A3 CAGE CODE: 00779 DRAWING NO: 936121 RESTRICTED TO: -  
CUSTOMER DRAWING SCALE: 2/1 SHEET 1 OF 1 REV A

# Mouser Electronics

Authorized Distributor

Click to View Pricing, Inventory, Delivery & Lifecycle Information:

[TE Connectivity:](#)

[936121-1](#)