

NOTES:

TAPE AND REEL SPECIFICATIONS:

1. TAPE:

MAT'L - ALL CONDUCTIVE POLYSTYRENE CARRIER  
ANSI/EIA-481 STANDARD  
.945 [24.0] WIDE; .472 [12.0] PITCH

2. REEL:

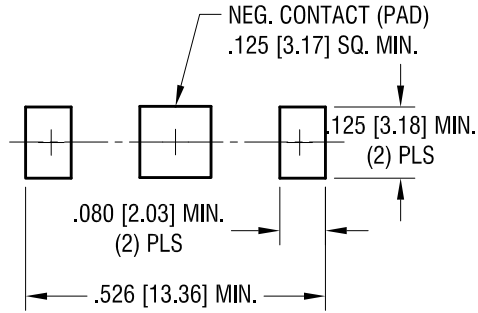
13.0 [330.2] DIA. 800 PIECES OF  
PART NO. 2988 PER REEL.

|   |                 |        |               |
|---|-----------------|--------|---------------|
| <b>KEYSTONE ELECTRONICS CORP.</b>                               |                 |        |               |
| www.keyelco.com • ASTORIA, N.Y. 11105-2017 • Tel (718) 956-8900 |                 |        |               |
| PART NAME   |                 |        |               |
| HEARING AID BATTERY RETAINER ON TAPE                            |                 |        |               |
| MATERIAL  |                 |        |               |
| AS NOTED  |                 |        |               |
| FINISH  |                 | DRN BY | DATE          |
| AS NOTED  |                 | NT     | 1.14.10       |
|   |                 | APP'D  | SCALE         |
|   |                 | LN     | X             |
| TOLERANCES  | INCH [MM]       | CODE   | DWG NO.       |
| DECIMAL   | ± .015 [± 0.38] | C/M    | <b>2988TR</b> |
| ANGULAR   | ± 1°            |        |               |
| UNLESS OTHERWISE SPECIFIED                                      |                 |        |               |

|         |                          |      |
|---------|--------------------------|------|
| 3.07.12 | CHANGE AS PER ECN 12-031 | A    |
| DATE    | DESCRIPTION              | REV. |

THIS DOCUMENT IS THE PROPERTY OF KEYSTONE ELECTRONICS CORP. AND SHALL NOT BE REPRODUCED, DISTRIBUTED OR USED AS A BASIS FOR MANUFACTURE WITHOUT PRIOR WRITTEN PERMISSION FROM KEYSTONE ELECTRONICS CORP.

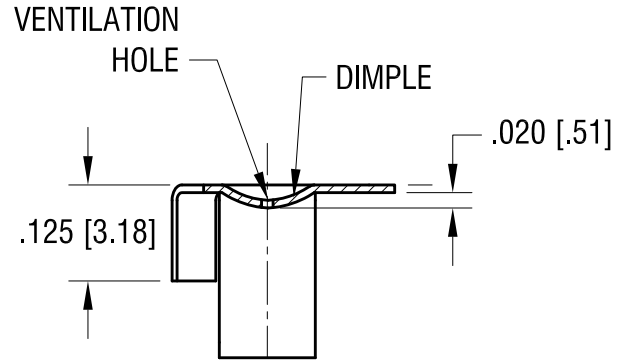
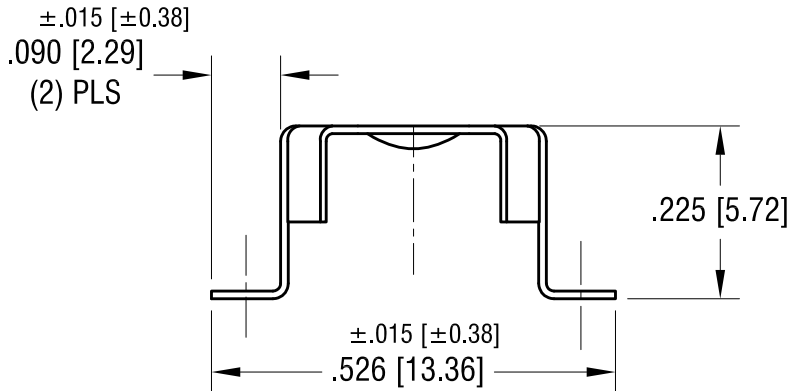
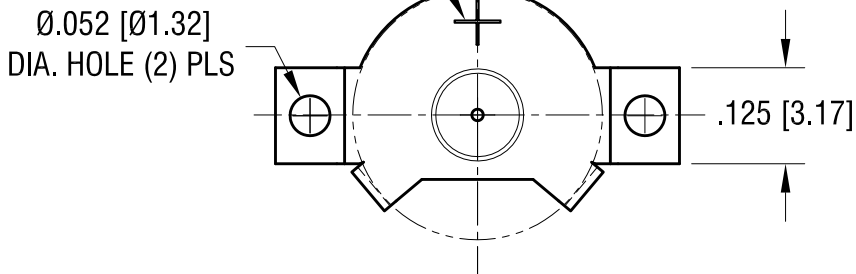
**MOUNTING PAD LAYOUT**



**ACTUAL SIZE**



STAMP (+)  
AS SHOWN



**KEYSTONE ELECTRONICS CORP.**

www.keyelco.com • ASTORIA, N.Y. 11105-2017 • Tel (718) 956-8900

PART NAME  
**SM HEARING AID BATTERY RETAINER (SIZE 13)**

MATERIAL  
**.010 [0.25] TH'K PHOSPHOR BRONZE**

|                             |              |                 |
|-----------------------------|--------------|-----------------|
| FINISH<br><b>GOLD PLATE</b> | DRN BY<br>NT | DATE<br>3.22.10 |
|                             | APP'D<br>LN  | SCALE<br>4X     |

|  |                              |           |                        |
|--|------------------------------|-----------|------------------------|
| TOLERANCES<br>DECIMAL<br>ANGULAR<br>UNLESS OTHERWISE SPECIFIED | INCH [MM]<br>± .005 [± 0.13] | CODE<br>C | DWG NO.<br><b>2988</b> |
|--|------------------------------|-----------|------------------------|

|          |                          |      |
|----------|--------------------------|------|
| 11.09.16 | CHANGE AS PER ECN 16-094 | B    |
| 7.31.14  | CHANGE AS PER ECN 14-082 | A    |
| DATE     | DESCRIPTION              | REV. |

# Mouser Electronics

Authorized Distributor

Click to View Pricing, Inventory, Delivery & Lifecycle Information:

[Keystone Electronics:](#)

[2988TR](#)