

LOC J	DIST /	REVISIONS 変更					
		P	LTR	DESCRIPTION	DATE	DWN	APVD
			D2	REACTIVE PER ECR-15-006547	27APR2015	I.T	W.H


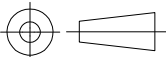
1.25 A-F CONN.REC ASSEMBLY	BLISTER TRAY 8-912060-1	108	3-917236-0	30	3-917360-0		
		132	2-917236-6	26	2-917360-6		
		144	2-917236-2	22	2-917360-2		
		156	2-917236-0	20	2-917360-0		
		168	1-917236-8	18	1-917360-8		
		192	1-917236-6	16	1-917360-6		
		204	1-917236-4	14	1-917360-4		
		216	1-917236-2	12	1-917360-2		
		264	1-917236-0	10	1-917360-0		
		288	0-917236-8	8	0-917360-8		
		336	0-917236-6	6	0-917360-6		
		名称 NAME	トレイケース 型番 TRAY P/N	数量 (ケ) QTY'S	コネクタ型番 (バラ状) CONNECTOR P/N (L/P)	極数 Pos	トレイケース詰 コネクタ型番 IN TRAY P/N

RELEASED FOR PUBLICATION DEC 1, 1994.

THIS DRAWING IS UNPUBLISHED.

ALL RIGHTS RESERVED.

COPYRIGHT 1994 By -

DIMENSIONS: 単位: 耗 mm	DWN K.ASAKAWA 06DEC94	MATERIAL 材料 -	FINISH 仕上 -
	CHK S.KUBOUCHI 06DEC94	 TE Connectivity	
(GENERAL TOLERANCE) 10mm以下: ±0.2 10mm以上 30mm以下: ±0.25 30mm以上 100mm以下: ±0.3 100mm以上: ±0.5	APVD S.KUBOUCHI 06DEC94		
	PRODUCT SPEC 製品規格 -	SIZE A4	CAGE CODE 00779
	APPLICATION SPEC 取付適用規格 -	DRAWING NO 番号 C-917360	RESTRICTED TO -
	WEIGHT -	CUSTOMER DRAWING	
	SCALE 尺度 NTS	SHEET 1 OF 1	REV D2

Mouser Electronics

Authorized Distributor

Click to View Pricing, Inventory, Delivery & Lifecycle Information:

[TE Connectivity:](#)

[2-917360-6](#)