

PRODUCT NUMBER

95278-YXX-XXLF

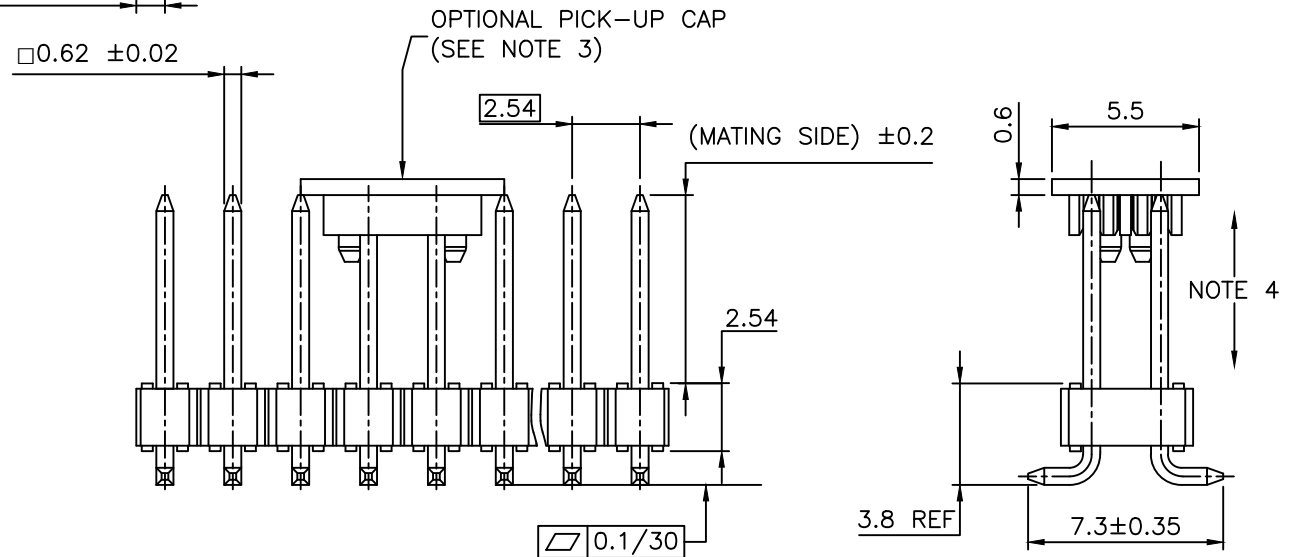
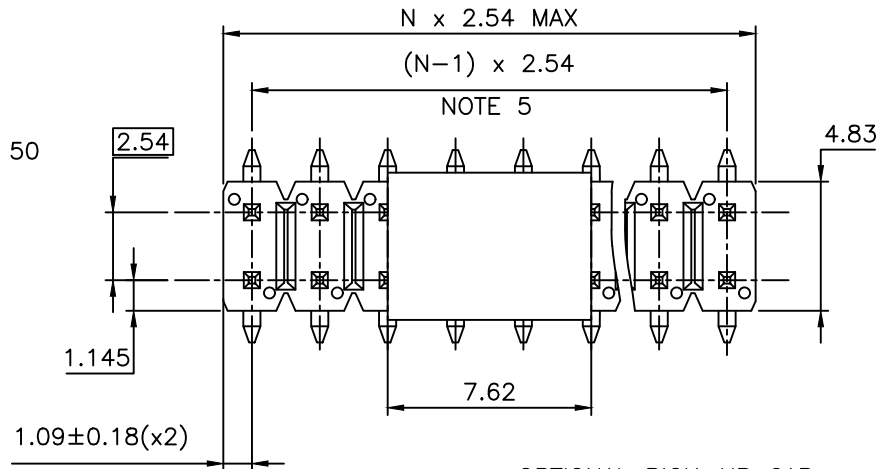
- RoHS COMPATIBLE, NOTE 6.
- TOTAL NB OF POSITIONS 04 TO 50
- PACKAGING OPTIONS, NOTE 3.
- PIN STYLE SEE SHEET 2
- PLATING SEE SHEET 2

NOTES:

1. HOUSING MAT'L : HIGH TEMPERATURE THERMOPLASTIC. UL94V-0 COLOR: BLACK
2. PIN MATERIAL : PHOSPHOR BRONZE
- 3 - PACKAGING OPTIONS:
 - = POLY BAGS
 - B = TUBE + CAP - ONLY AVAILABLE UPON REQUEST
 - A = TAPE & REEL WITH CAP, AS AVAILABLE
CAUTION: CAP ON 95278-YXX-04LF IS ORIENTED 90° VERSUS OTHER NB OF POSITIONS
 - AV = TAPE & REEL WITH PICK UP CAP FOR CUSTOMER DEDICATED PART
 - ER = TAPE & REEL WITH CAP, AND SPECIFIC ERICSSON LABEL ON REEL
 - TR = CUSTOM TAPE & REEL WITH CAP, SEE TA840
ONLY FOR P/N : 95278-102TR04LF
95278-101TR10LF
95278-801TR04LF
 - T = TUBE WITHOUT PICK UP CAP
ONLY AVAILABLE UPON REQUEST
 - K = TAPE & REEL WITHOUT PICK UP CAP, AS AVAILABLE

4. 9N MIN RETENTION IN EITHER DIRECTION
5. TO DETERMINE DIMENSIONS :
N = NUMBER OF POSITIONS PER ROW
6. RoHS COMPATIBLE PRODUCT SPECIFICATIONS

- a - PLATING:
 - "LF" MEANS THE PRODUCT IS LEAD-FREE, 2µm MINIMUM MATTE TIN OVER 1.27µm MINIMUM NICKEL UNDERPLATE.
- b - MANUFACTURING PROCESS COMPATIBILITY
 - THE HOUSING WILL WITHSTAND EXPOSURE TO 260°C PEAK TEMPERATURE FOR 30 SECONDES IN A CONVECTION, INFRA-RED OR VAPOR PHASE REFLOW OVEN.
- c - LABELING:
 - MEETS PACKAGING SPECS AS PER GS-14-920
- d - LEGAL STATEMENT: SEE GS-47-0004

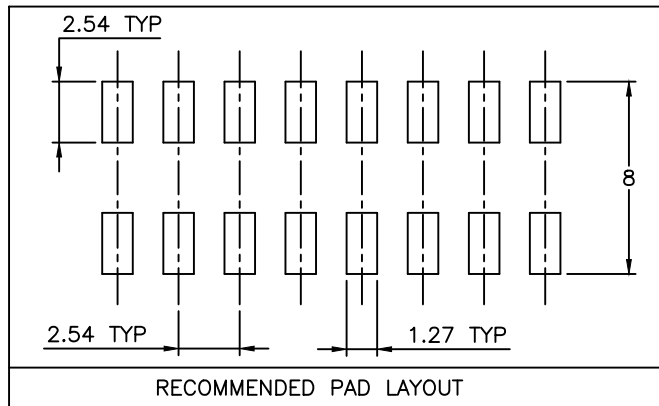


mat'l. code				surface ISO 1302		tolerance ISO 406 ISO 1101		projection		product family BERGSTIK	
ltr ecn no dr date				tolerances unless otherwise specified		angles linear		mm		title UNSHR.HEADER DR SMT	
AE F-36577 DDE 20.03.31						x.x ±0.3				dwg no	
AF F-41211 DDE 21.06.15						x.xx ±0.13				sheet 1 of 2	
AG F-43471 DDE 22.01.03						x.xxx ±0.05		scale 5:1		size A3	
AH F-47109 DDE 23.01.25				dr		D.LE		01.01.24		FCJ	
AJ F-49477 DDE 23.10.12				enrg		JM.C		01.01.24		95278	
AD F-31155 DDE 18.09.05				appd		JF.N		01.01.24		type CUSTOMER Drawing	
sheet		revision		AJ		W					
index		sheet		1		2					

PIN STYLE	MATING
01	5.9
02	8.0
03	9.9
04	11.4
05	9.2
06	10.4
07	5.3
09	17.00
10	8.10
11	8.50
12	3.05
13	14.35
14	4.00
15	6.60
16	3.30

PLATING

- 1 = 0.76µm GOLD/GXT ON CONTACT AREA, 2µm TIN MIN ON TAIL
- 4 = 2µm TIN MIN FULL PLATED
- 5 = 0.25µm GOLD/GXT ON CONTACT AREA, 2µm TIN MIN ON TAIL – ONLY AVAILABLE UPON REQUEST
- 8 = 0.38µm GOLD/GXT ON CONTACT AREA, 2µm TIN MIN ON TAIL
- 1.27µm NICKEL MIN UNDERLAYER FOR ALL PLATING VERSIONS



mat'l. code				surface ISO 1302 <input checked="" type="checkbox"/> ISO 406 <input type="checkbox"/> ISO 1101 <input type="checkbox"/>		tolerance tolerances unless otherwise specified		projection 		product family BERGSTIK	
ltr	ecn no	dr	date	angles		linear		mm		title UNSHR.HEADER DR SMT	
W	F-47109	DDE	23.01.25					scale N/A		sheet 2 of - size	
R	B-18983	LMU	14.10.03							95278 A3	
S	B-20276	LMU	15.02.16	dr	D.LE	01.01.24			type CUSTOMER Drawing		
T	B-20561	AMA	15.03.26	engr	JM.C	01.01.24					
U	F-22120	BVE	15.10.09	chr	JM.C	01.01.24					
V	F-41211	DDE	21.06.15	appd	JF.N	01.01.24					
sheet index	revision sheet										