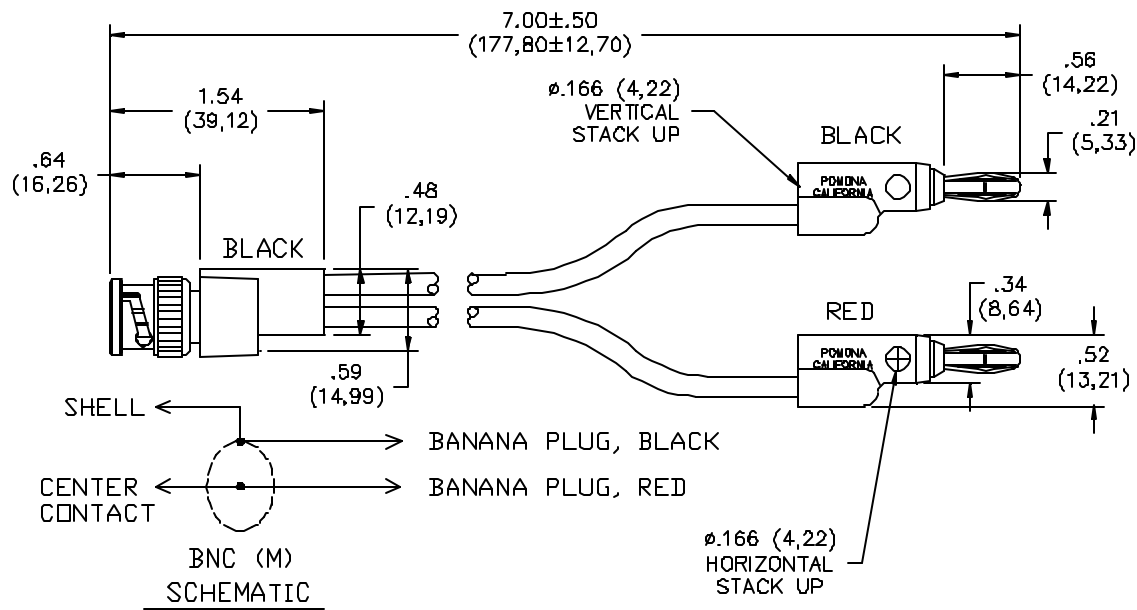


Model 3957 BNC (Male) To Multi-Stacking Banana Plugs



FEATURES:

- Converts BNC (Female) cables/connectors to top/side stackable banana plugs for test versatility.
- BNC connector and banana plugs are molded directly to the wire for pull strength durability and dust/moisture resistance.
- BNC dielectric is PTFE for superior temperature performance
- BNC center contact is gold plated for corrosion resistance, low contact resistance and long insertion life.

MATERIALS:

BNC: Body - Brass, Nickel Plated
Center Contact – Brass, Gold Plated.
Dielectric: PTFE

Wire: 18 AWG, Stranding 65 x 36 T.C., PVC Insulated, .144" (3,66mm) O.D., Color matches banana plugs

Marking: "POMONA 3957"

Banana Plugs: Body – Brass Nickel Plated
Spring – Beryllium Copper, Nickel Plated
Insulation: Polypropylene Color: One Red, One Black

RATINGS:

Operating Voltage: Hand-Held testing:
30VAC/60VDC Max.
Hands free testing in controlled voltage environments: 500 VRMS Max.
Operating Temperature: +55°C (+131°F) Max.

ORDERING INFORMATION: Model 3957

All dimensions are in inches. Tolerances (except noted): .xx = ±.02" (.51 mm), .xxx = ±.005" (.127 mm).
All specifications are to the latest revisions. Specifications are subject to change without notice.
Registered trademarks are the property of their respective companies.

Made in USA

Mouser Electronics

Authorized Distributor

Click to View Pricing, Inventory, Delivery & Lifecycle Information:

[Pomona:](#)

[3957](#)