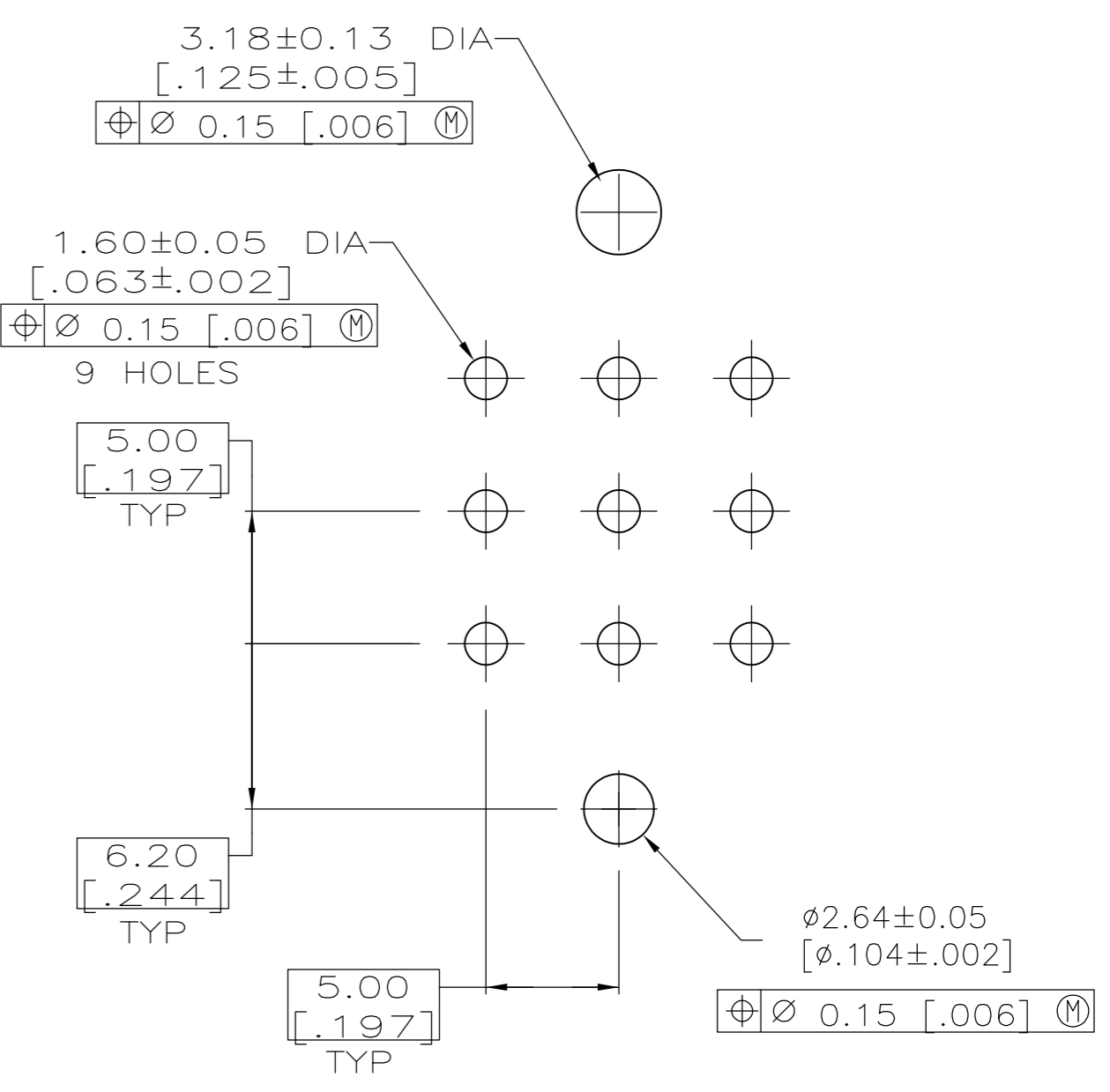
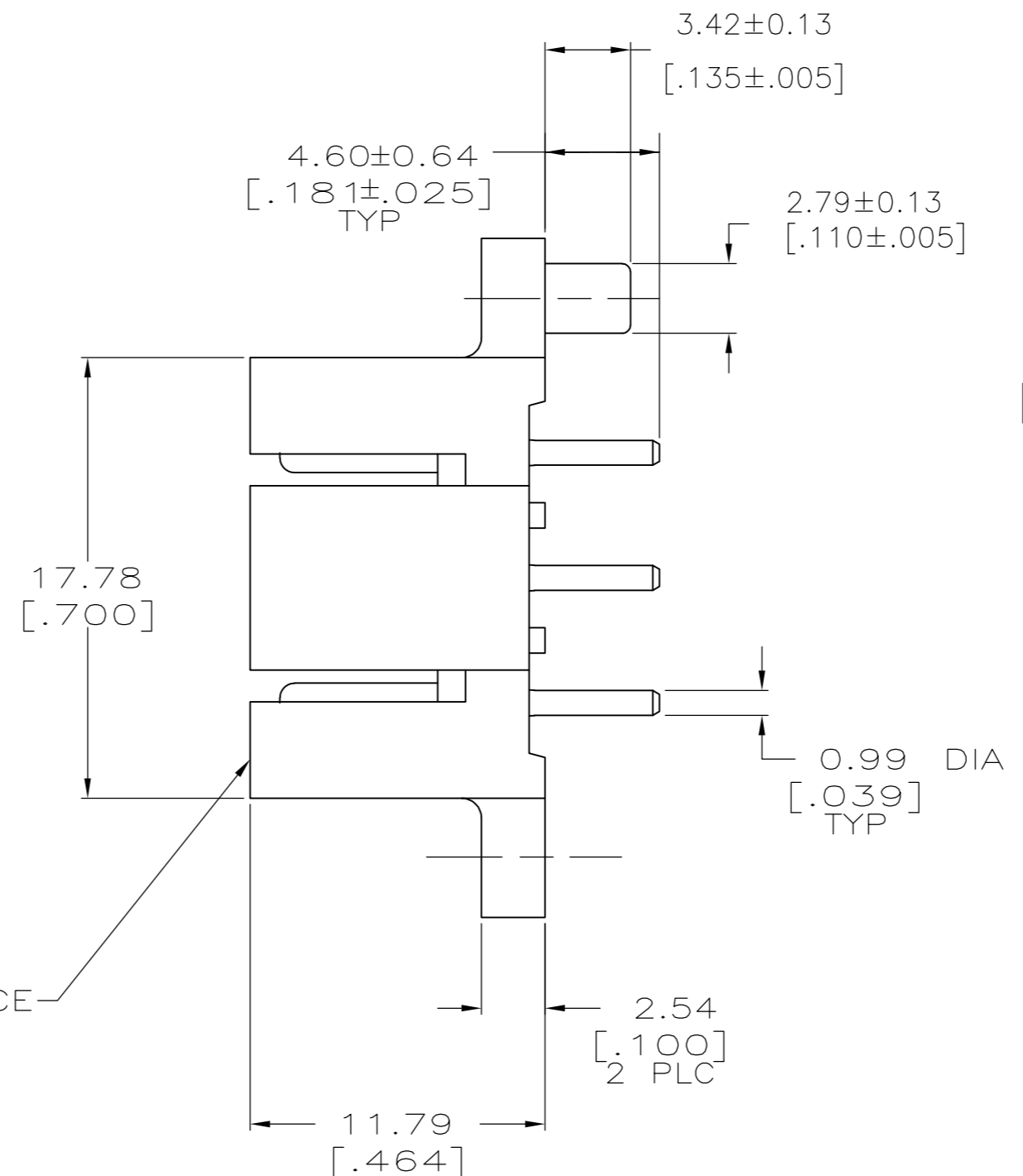
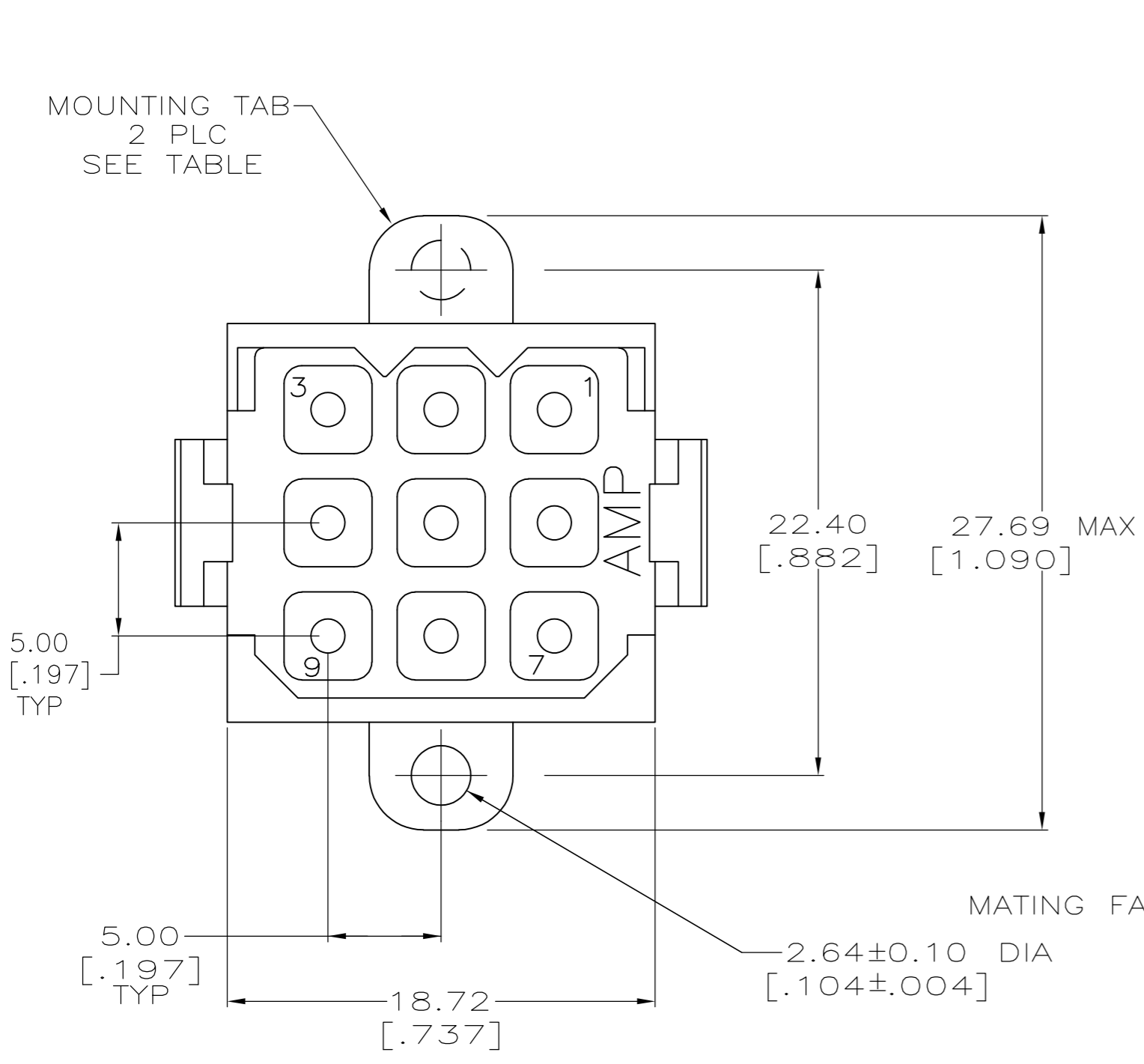
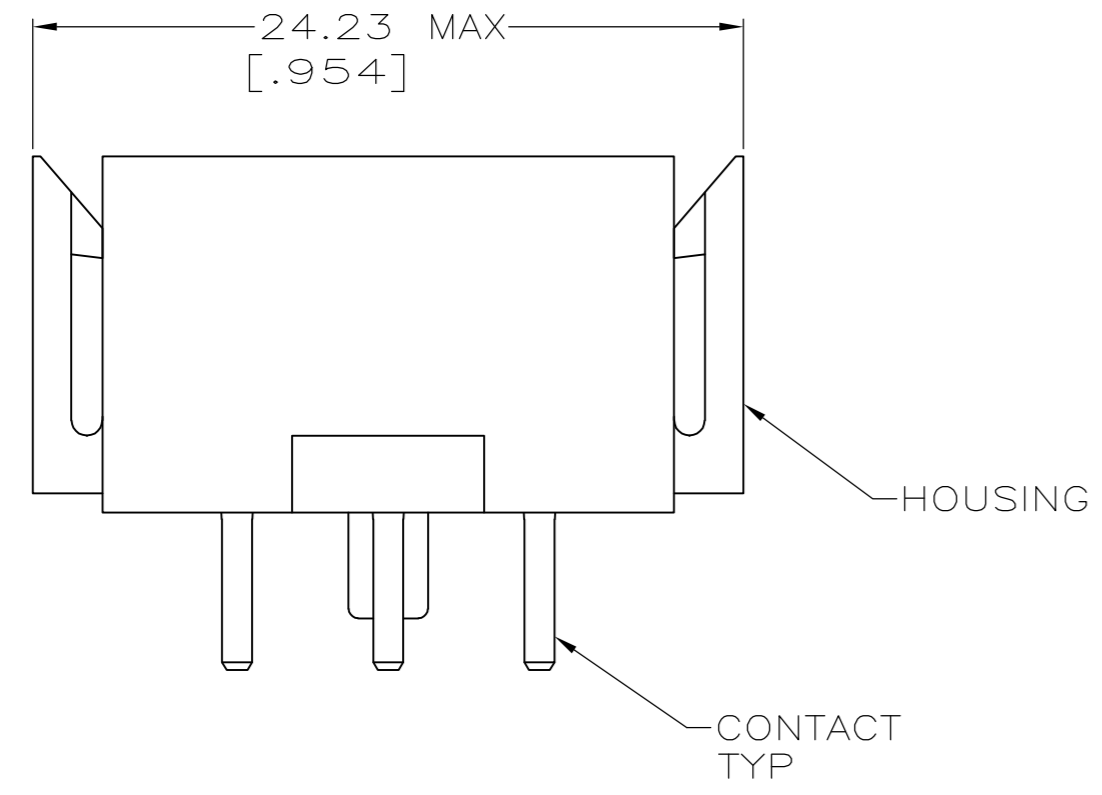


THIS DRAWING IS UNPUBLISHED. RELEASED FOR PUBLICATION
 © COPYRIGHT BY TYCO ELECTRONICS CORPORATION. ALL RIGHTS RESERVED.

LOC		DIST		REVISIONS			
P	LTR	DESCRIPTION		DATE	DWN	APVD	
GP	00	A	REL PER ECO 10-010794	21MAY10	JR	SH	



RECOMMENDED PC BOARD LAYOUT



- ① NYLON, UL 94V-0 RATED, RED.
- ② BRASS PER ASTM B36.
- ③ 0.76µm [.000030] MIN GOLD FOR A LENGTH OF 5.08 [.200] FROM MATING END, 3.81µm [.000150] MIN LEAD FREE TIN FOR A LENGTH OF 4.83 [.190] MIN FROM OPPOSITE END, BOTH OVER 1.27µm [.000050] MIN NICKEL.

1986567-1
PART NO

THIS DRAWING IS A CONTROLLED DOCUMENT.		DWN R.GRZYBOWSKI 9JUNE09	Tyco Electronics Corporation Harrisburg, Pa 17105-3608	
DIMENSIONS: mm [INCHES]		CHK G.STEINHAUER 9JUNE09	NAME PIN HEADER ASSEMBLY, 9 POSITION, METRIMATE	
TOLERANCES UNLESS OTHERWISE SPECIFIED:		APVD M.PERCHERKE 9JUNE09	DRAWING NO A2 00779 C=1986567	
0 PLC ± -		PRODUCT SPEC 108-10033	RESTRICTED TO	
1 PLC ± -		APPLICATION SPEC	SCALE 4:1 SHEET 1 OF 1 REV A	
2 PLC ± 0.25 [.010]		WEIGHT -		
3 PLC ± -		CUSTOMER DRAWING		
4 PLC ± -				
ANGLES ± -				
MATERIAL HOUSING: ① CONTACT: ②	FINISH CONTACT: ③			

Mouser Electronics

Authorized Distributor

Click to View Pricing, Inventory, Delivery & Lifecycle Information:

[TE Connectivity:](#)

[1986567-1](#)