

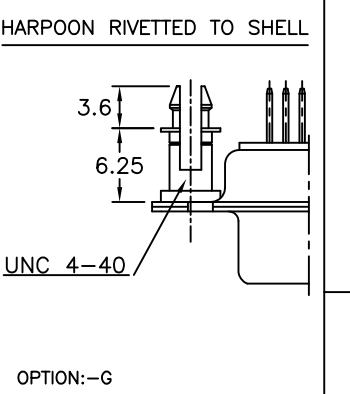
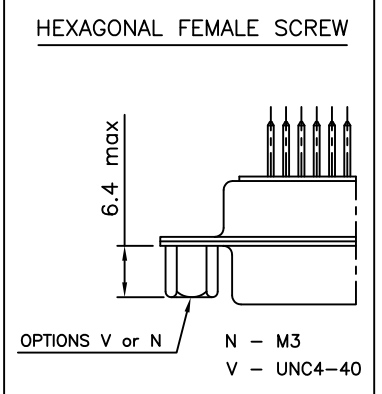
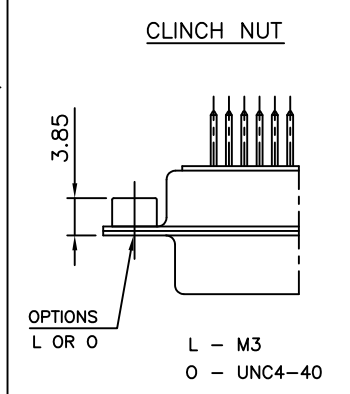
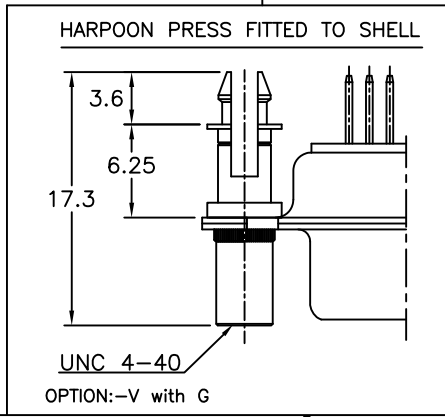
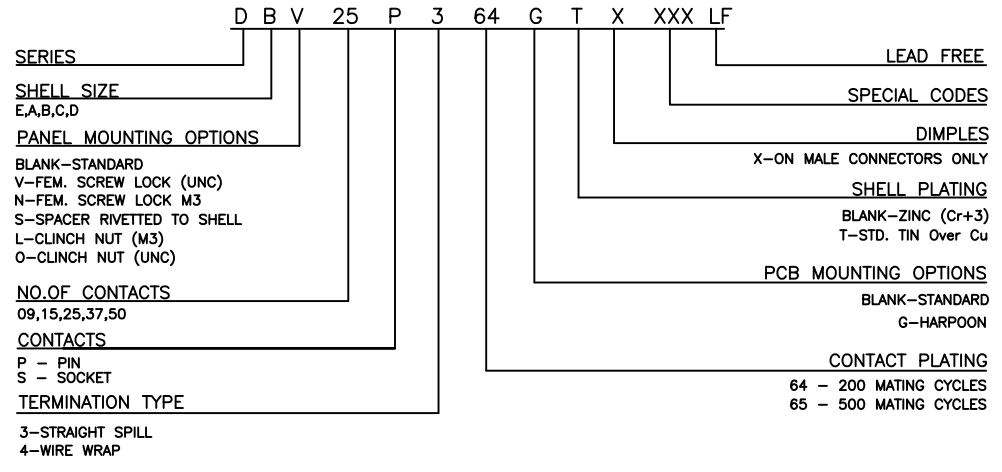
50	P	66.65	52.68	61.11	11.08	14.99	11.09	5.85	55.07	13.31	1.50	1.0
	S	66.65	52.30	61.11	10.62	14.99	11.21	6.05	55.07	13.31	1.10	0.8
37	P	68.94	55.30	63.50	8.23	12.17	11.09	5.85	57.45	10.46	1.50	1.0
	S	68.94	54.71	63.50	7.77	12.17	11.21	6.05	57.45	10.46	1.10	0.8
25	P	52.65	38.84	47.04	8.23	12.17	11.07	5.85	41.02	10.46	1.10	0.8
	S	52.65	38.25	47.04	7.77	12.17	11.21	6.05	41.02	10.46	1.10	0.8
15	P	38.76	25.12	33.32	8.23	12.17	10.99	5.85	27.25	10.46	1.10	0.8
	S	38.76	24.54	33.32	7.77	12.17	11.21	6.05	27.25	10.46	1.10	0.8
09	P	30.43	16.79	24.99	8.23	12.17	10.99	5.85	19.02	10.46	1.10	0.8
	S	30.43	16.21	24.99	7.77	12.17	11.21	6.05	19.02	10.46	1.10	0.8
SHELL SIZE		A ^{+0.76}	B ^{+0.25}	C ^{+0.12}	D ^{+0.25}	E ^{+0.76}	F ^{MAX}	G ^{+0.15}	H ^{+0.51}	J ^{+0.51}	K ^{±0.2}	L ^{+0.22}

NOTE: INSIDE DIMENSION OF MALE AND OUTSIDE DIMENSION OF THE FEMALE CONNETOR

TECHNICAL SPECIFICATIONS

- SHELLS : TIN/ZINC PLATED STEEL
- CONTACTS DIA ON ACTIVE AREA : Ø1 MM.
- CONTACTS MATERIAL : COPPER ALLOY
- CONTACT PLATING : GXT / GOLD OVER NICKEL (ACTIVE ZONE)
TIN OVER NICKEL (TERMINATION ZONE)
- FOR LEAD FREE PLATING : 2µ MIN. TIN TOP OVER
1.27µ MIN. NICKEL UNDER PLATE (ON TERMINATION ZONE)
- INSULATOR MATERIAL : SELF EXTINGUISHING THERMOPLASTIC-
TO UL CLASS 94 V0
THE HOUSING WILL WITHSTAND EXPOSURE TO 260-265°C
IF WE USE PROTECTIVE ADHESIVE (type Kapton or Teflon)
OR PROTECTIVE METALLIC DEVICE
- OPERATING TEMPERATURE : -55°C +125°C
- OPERATING CURRENT : 5 A PER CONTACT
- CONTACT RESISTANCE : ≤10m Ω
- INSULATION RESISTANCE : >5000 M Ω
- MAXIMUM VOLTAGE : 1000 V.r.m.s
- MECHANICAL ENDURANCE : 500 MATINGS FOR CODE 64
200 MATINGS FOR CODE 65
- DAMP HEAT : 56 DAYS FOR ≥0.75µ GOLD PLATING
21 DAYS FOR <0.40µ GOLD PLATING

ORDERING INFORMATION



mat'l. code SEE NOTE 4		surface ISO 1302 ✓ ISO 406 ISO 1101		tolerance ISO 1101		projection MM		product family			
D 106-0074 GJV 2006/06/08		E 109-0179 AMR 2009/09/04		F 109-0195 AMR 2009/09/04		G 111-0003 AMR 2011/01/06		H 111-0047 AMR 2011/03/05		title D- SUB S/S W/W CONNECTOR (WITH ASSEMBLY OPTIONS)	
sheet index		revision sheet		H 1		Mini K Vandanath 1999/03/20		George V Joseph 1999/03/20		dwg no C-DSUB-0065	
						Abhilash M R 2009/09/04		Sudhir Varma 2009/09/04		sheet 1 of 1 size 5	
										type Product Customer Drawing	

"This LF product meets European Union Directives and other country regulations as described in GS-22-008"

The housing will withstand exposure to 260°C peak temperature for 3.5 seconds in a wave solder application with a 1.6mm minimum thick circuit board.

Packaging as per GS-14-920

Copyright FCI

Mouser Electronics

Authorized Distributor

Click to View Pricing, Inventory, Delivery & Lifecycle Information:

[FCI / Amphenol:](#)

[DA15P364LF](#) [DA15S365TLF](#) [DA15S864LF](#) [DB25P364LF](#) [DB25P365TXLF](#) [DB25S364LF](#) [DB25S365TLF](#)
[DB25S864LF](#) [DC37P364LF](#) [DC37P864LF](#) [DC37S364LF](#) [DC37S365TLF](#) [DD50P364LF](#) [DD50P365TXLF](#)
[DD50P864LF](#) [DD50S364LF](#) [DD50S365TLF](#) [DD50S864LF](#) [DE09P364LF](#) [DE09P365TXLF](#) [DE09P864LF](#)
[DE09S067LF](#) [DE09S364LF](#) [DE09S365LF](#) [DEV09S364GTLF](#) [DA15P364TXLF](#) [DA15S364TLF](#) [DA15S564CTLF](#)
[DB25P364TXLF](#) [DB25S364TLF](#) [DC37P364TXLF](#) [DC37S065TGLF](#) [DC37S364TLF](#) [DD50P364TXLF](#) [DD50S364TLF](#)
[DE09P364TXLF](#) [DE09S364TLF](#) [DE09S365TLF](#) [DA15P365TXLF](#) [DA15P367TXLF](#) [DA15S365CTLF](#)
[DAF15P064TXLF](#) [DAV15P365GTXLF](#) [DAV15S365GTLF](#) [DB25P067TXLF](#) [DBV25S065CTLF](#) [DBV25S365GTLF](#)
[DBV25S565GTLF](#) [DC37S565CTLF](#) [DCF37P064TXLF](#) [DD50P564MTXLF](#) [DD50S564MTLF](#) [DDL50P564MTXLF](#)
[DDL50P565MTXLF](#) [DDL50S565MTLF](#) [DDO50P564MTXLF](#) [DDO50P565MTXLF](#) [DDO50S564MTLF](#)
[DDO50S565MTLF](#) [DDV50P564MTXLF](#) [DDV50P565MTXLF](#) [DDV50S564MTLF](#) [DE09P565TXLF](#) [DEV09P365GTXLF](#)
[DEV09S365GTLF](#) [DEV09S565GTLF](#) [DC37P564TLF](#) [DEV09P565GTXLF](#) [DES09P465TXLF](#) [DCF37S064TLF](#)
[DBF25S064TLF](#) [DCV37S364GTLF](#) [DE09S864LF](#) [DEO09S364TLF](#) [DE09S864MTLF](#) [DE09S465TLF](#)
[DA15P465TXLF](#) [DA15S564TLF](#) [DC37P564GTXLF](#) [DBO25S364TLF](#) [DEO09S364GTLF](#) [DAO15S364GTLF](#)
[DBO25S364GTLF](#) [DBO25P364GTXLF](#) [DEV09P364GTXLF](#)