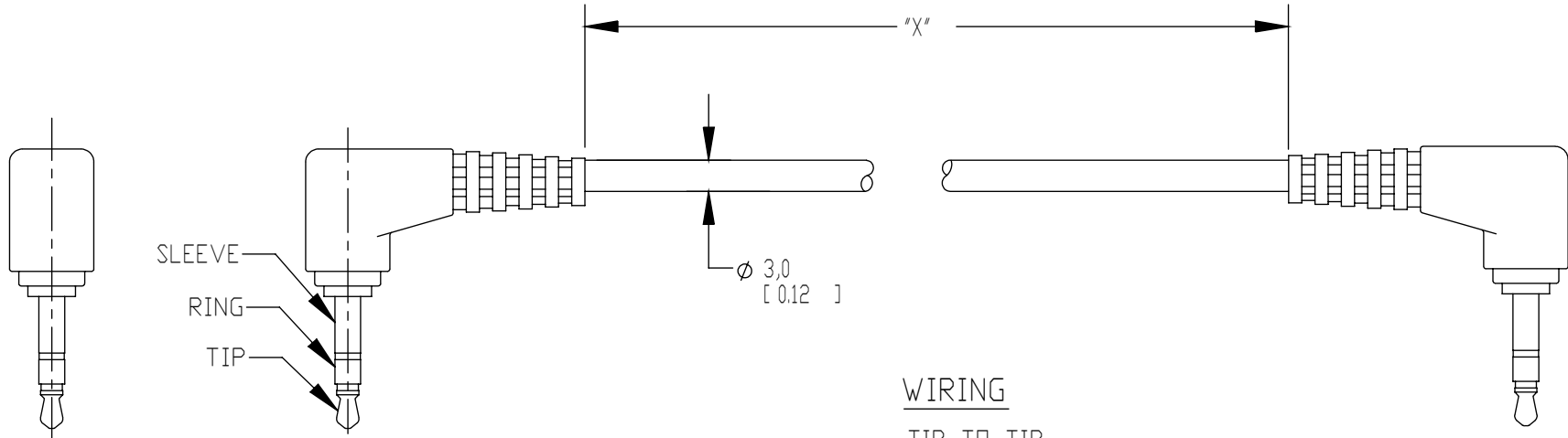


NOTES:

1. PRIMARY UNITS ARE METRIC (MM [INCHES]).
2. THIS PRODUCT IS RoHS COMPLIANT.



RA 2.5mm 3 CONDUCTOR PLUG

BOTH ENDS

WIRING

TIP TO TIP
RING TO RING
SLEEVE TO SLEEVE

MATERIALS:

- OVERMOLD - PVC, BLACK
- CABLE - 2 CONDUCTOR, 28 AWG, SPIRAL SHIELDED
BLACK PVC JACKET
- PLUG - BRASS, NICKEL PLATED

PART NUMBER	DIMENSION "X"	
	METERS	INCHES
251HR079251X	2 METERS+50mm/-0	79.00+2.00/-0

CUSTOMER DRAWING

					★ STAR SYMBOL DENOTES CRITICAL DIMENSION	THIS DRAWING DESCRIBES A DESIGN CONSIDERED PROPRIETARY IN NATURE, DEVELOPED AND MANUFACTURED BY SWITCHCRAFT INC. AND IS RELEASED ON A CONFIDENTIAL BASIS FOR IDENTIFICATION PURPOSES ONLY.						
					UNLESS OTHERWISE SPECIFIED	SIZE	WIDTH	MULT	LBS/M	TEMPER		
					1. ALL DIMENSIONS IN INCHES -TWO PLACE DECIMALS ±0.01 -THREE PLACE DECIMALS ±0.005 -ANGLES ±1° -ALL DIA. CONCENTRIC WITHIN 0.005 T.I.R.	FINISH			MATERIAL			
					2. FEATURES ON THE SAME CENTERLINE MUST BE ALIGNED WITHIN ±0.002	SPEC No.			SPEC No.			
					3. REMOVE ALL BURRS	FIRST USED ON		SCALE 3:2		Switchcraft®		
A	26298	03-25-08	AH	TJK	DATE DRAWN	BY	CHKD	APVD	SHEET 1 OF 1			
REV	ECD NUMBER	DATE	BY	APVD	DO NOT SCALE DRAWING					NAME	PART No.	REV
REVISIONS					CABLE ASSEMBLY					251HR__251X	A	
					2.5mm 3 CONDUCTOR RA TO RA, RoHS							



Mouser Electronics

Authorized Distributor

Click to View Pricing, Inventory, Delivery & Lifecycle Information:

[Switchcraft:](#)

[251HR158251](#) [251HR079251X](#)