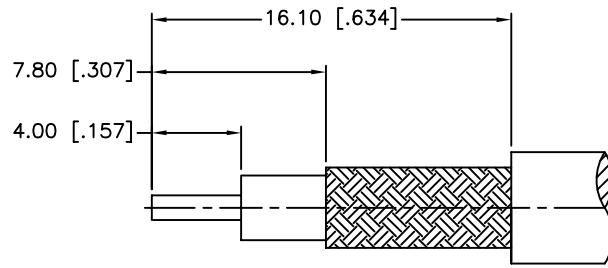
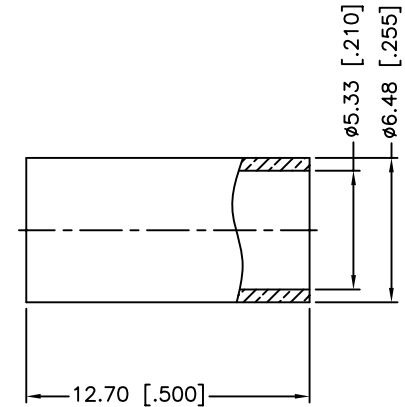
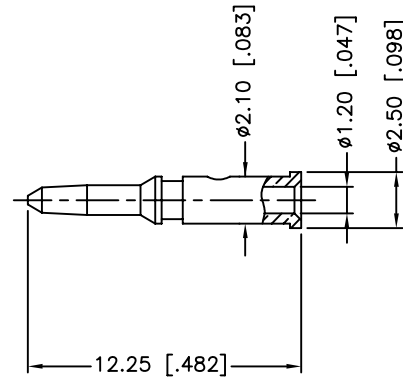
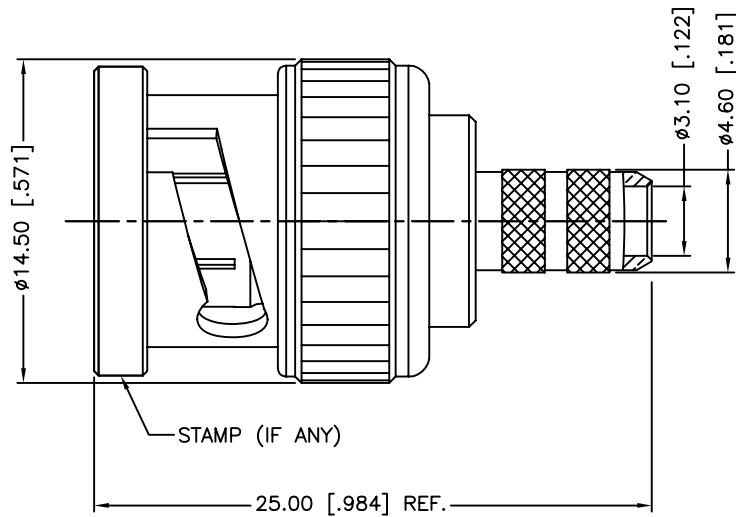


| REV. | DATE | ECR NO. | DESCRIPTION |
|------|----------|---------|---|
| NC | 07/29/98 | - | INITIAL RELEASE |
| A | 11/05/06 | - | UPDATE DRAWING FORMAT |
| B | 06/23/10 | 2062 | ADD CRIMP DIMENSIONS AND CRIMP TOOL INFORMATION TO DRAWINGS |



RECOMMENDED
CABLE STRIPPING DIM'S



1. CRIMPED FERRULE
HEX. CRIMP SIZE .213"
2. CRIMPED CONTACT PIN
HEX. CRIMP SIZE .068"
3. CRIMP TOOL: A

| | | | | |
|---|---------------|----------|---------|-----|
| 9 | FERRULE | COPPER | NICKEL | 1 |
| 8 | CONTACT PIN | BRASS | GOLD | 1 |
| 7 | WASHER | BRASS | NICKEL | 1 |
| 6 | SPRING | SK5 | NICKEL | 1 |
| 5 | RETAINER RING | BRASS | NICKEL | 1 |
| 4 | GASKET | RUBBER | RED | 1 |
| 3 | INSULATOR | PTFE | NATURAL | 1 |
| 2 | BODY | BRASS | NICKEL | 1 |
| 1 | SHELL | BRASS | NICKEL | 1 |
| | DESCRIPTION | MATERIAL | FINISH | QTY |

UNLESS OTHERWISE SPECIFIED DIMENSIONS ARE IN MILLIMETERS. DIMENSIONS IN [] ARE IN INCHES AND FOR CUSTOMER REFERENCE ONLY.

UNLESS OTHERWISE SPECIFIED TOLERANCES FOR MILLIMETERS ARE:
0.5 - 8mm ± 0.20mm
8 - 30mm ± 0.40mm
30 - 120mm ± 0.50mm

UNLESS OTHERWISE SPECIFIED TOLERANCES FOR INCHES ARE:
.020 - .315 = ± 0.007"
.315 - 1.180 = ± 0.015"
1.180 - 4.724 = ± 0.020"

DO NOT SCALE DRAWING

| APPROVALS | DATE |
|-------------------------------|----------|
| DRAWN M.ZHANG | 06/23/10 |
| CHECKED | |
| ISSUED | |
| SHEET 1 OF 1 | |
| CAD FILE C:/CONNEX/112597.DWG | |

Amphenol Connex

| PART DESCRIPTION | | | |
|--|--------|--------|----------|
| BNC CRIMP PLUG (FOR LMR200 CABLE) | | | |
| PART NO. 112597 | | | |
| DWG. NO. 112597.DWG | REV. B | SIZE A | SCALE NA |

Mouser Electronics

Authorized Distributor

Click to View Pricing, Inventory, Delivery & Lifecycle Information:

[Amphenol:](#)

[112597](#)