

THIS DRAWING IS UNPUBLISHED.

RELEASED FOR PUBLICATION

2011

© COPYRIGHT 2011 BY -

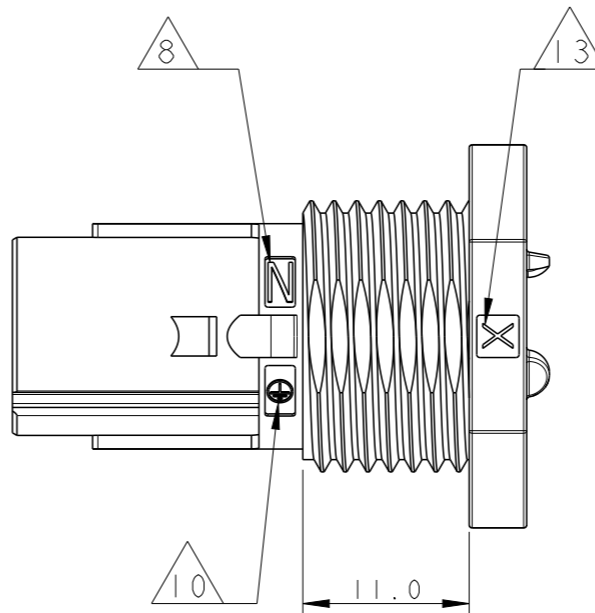
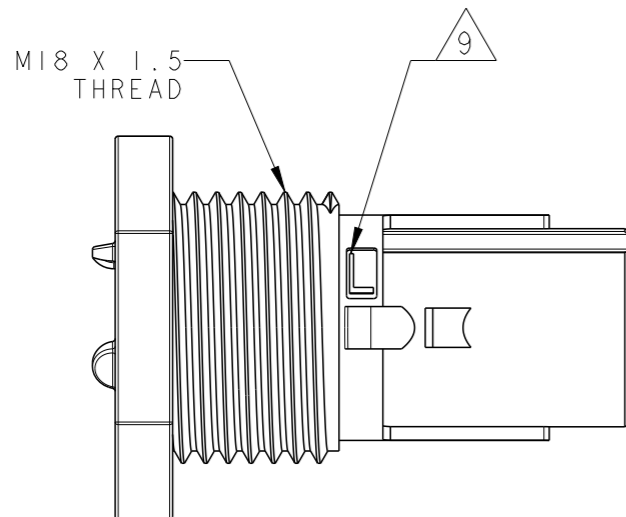
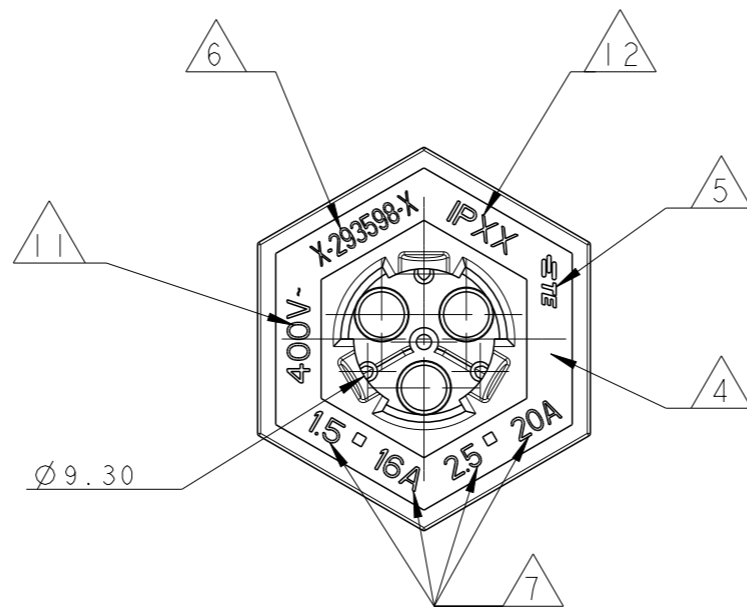
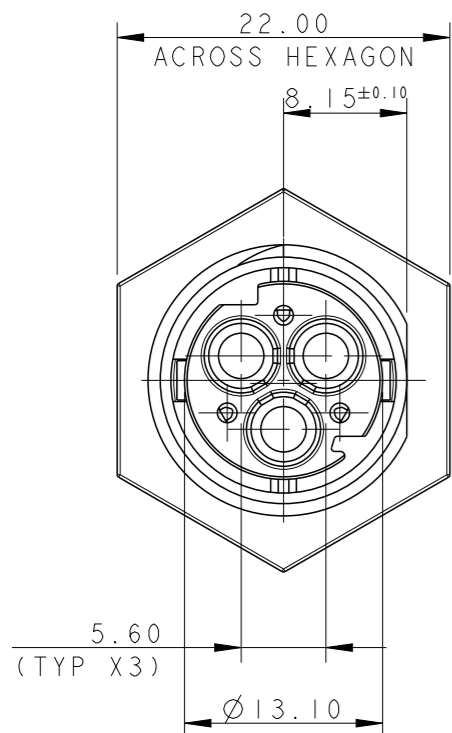
ALL RIGHTS RESERVED.

LOC 1

DIST -

REVISIONS

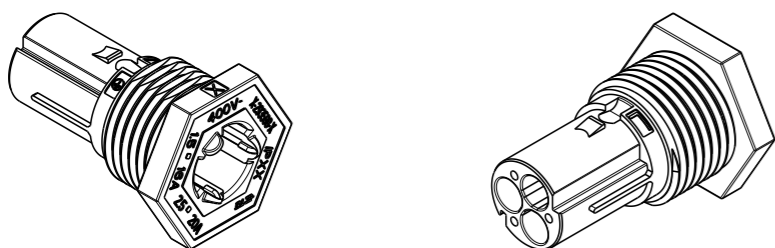
P	LTR	DESCRIPTION	DATE	DWN	APVD
E		PARTS -1 AND 1-1 RELEASED FOR PRODUCTION	12SEP2011	MZ	GT
E1		REVISED MARKINGS	06NOV2012	MZ	JC
F		PARTS -2, -3, 1-2, 1-3 RELEASED FOR PRODUCTION	26JUN2013	KR	JC
G		REVISED PART NUMBERS AND ALIGNED REVISIONS	17JUL2017	SK	MZ



NOTES:

- 1 MATERIAL: POLYAMIDE GLASS FILLED COLOUR NATURAL
- 2 MATERIAL: POLYAMIDE GLASS FILLED COLOUR BLACK
- 3 PACKAGING: SEE TE PACKAGING SPECIFICATION 107-20294
- 4 AREA FOR AGENCY APPROVAL LOGO
- 5 TE LOGO
- 6 TE PART NUMBER
- 7 CONDUCTOR SIZE AND CURRENT RATING
- 8 N CODE
- 9 L CODE
- 10 PE CODE
- 11 RATED VOLTAGE
- 12 IP CODE
- 13 CAVITY MOULD CODE

3D VIEWS, FOR REFERENCE ONLY



SCALE 1:1

THIS DRAWING IS A CONTROLLED DOCUMENT.

DIMENSIONS:	TOLERANCES UNLESS OTHERWISE SPECIFIED:
mm	
	0 PLC ±-
	1 PLC ±0.3
	2 PLC ±0.20
	3 PLC ±-
	4 PLC ±-
	ANGLES ±3°
	FINISH -

MATERIAL SEE NOTES

DWN	M. ZUCCA	29OCT2009
CHK	M. ZUCCA	29OCT2009
APVD	G. TURCO	29OCT2009
PRODUCT SPEC	108-20304	
APPLICATION SPEC	114-20452	
WEIGHT	~6.2 g	

TE Connectivity		NAME	
		PIN HOUSING PANEL MOUNT VERSION NECTOR* M-LINE	
SIZE	CAGE CODE	DRAWING NO	RESTRICTED TO
A3	00779	C-293598	-

THIS DRAWING IS UNPUBLISHED.

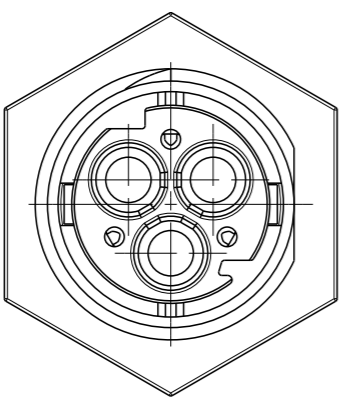
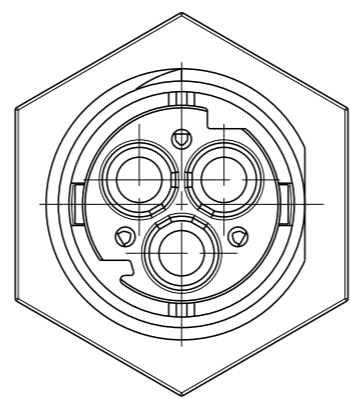
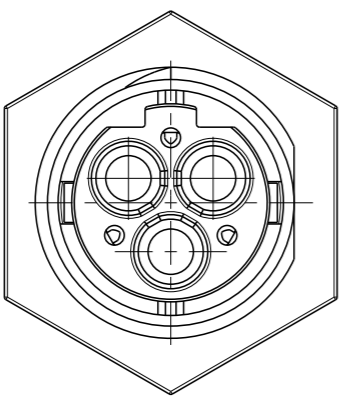
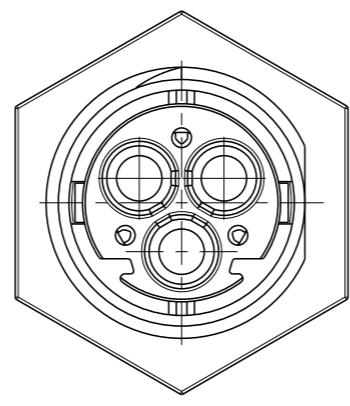
RELEASED FOR PUBLICATION

2011


© COPYRIGHT 2011 BY -

ALL RIGHTS RESERVED.

LOC	DIST	REVISIONS					
		P	LTR	DESCRIPTION	DATE	DWN	APVD
1	-	-	-	SEE SHEET 1	-	-	-

PLARIZATION KEYS	
TYPE "A"	TYPE "B"
	
P/Ns: 0-293598-1, 1-293598-1, 2-293598-1	P/Ns: 0-293598-2, 1-293598-2, 2-293598-2
TYPE "C"	TYPE "D"
	
P/Ns: 0-293598-3, 1-293598-3, 2-293598-3	P/Ns: 0-293598-4, 1-293598-4, 2-293598-4

IP DEGREE CODE	POL. KEYING	COLOUR	MATERIAL	DESCRIPTION	REV.	PART NUMBER
67	D	BLACK	△ ₂	PIN HSG PANEL MOUNT VERS. NECTOR* M-LINE	A	2-293598-4
67	C	BLACK	△ ₂	PIN HSG PANEL MOUNT VERS. NECTOR* M-LINE	D	2-293598-3
67	B	BLACK	△ ₂	PIN HSG PANEL MOUNT VERS. NECTOR* M-LINE	D	2-293598-2
67	A	BLACK	△ ₂	PIN HSG PANEL MOUNT VERS. NECTOR* M-LINE	D	2-293598-1
40	D	BLACK	△ ₂	PIN HSG PANEL MOUNT VERS. NECTOR* M-LINE	G	1-293598-4
40	C	BLACK	△ ₂	PIN HSG PANEL MOUNT VERS. NECTOR* M-LINE	G	1-293598-3
40	B	BLACK	△ ₂	PIN HSG PANEL MOUNT VERS. NECTOR* M-LINE	G	1-293598-2
40	A	BLACK	△ ₂	PIN HSG PANEL MOUNT VERS. NECTOR* M-LINE	G	1-293598-1
40	D	NATURAL	△ ₁	PIN HSG PANEL MOUNT VERS. NECTOR* M-LINE	G	0-293598-4
40	C	NATURAL	△ ₁	PIN HSG PANEL MOUNT VERS. NECTOR* M-LINE	G	0-293598-3
40	B	NATURAL	△ ₁	PIN HSG PANEL MOUNT VERS. NECTOR* M-LINE	G	0-293598-2
40	A	NATURAL	△ ₁	PIN HSG PANEL MOUNT VERS. NECTOR* M-LINE	G	0-293598-1

THIS DRAWING IS A CONTROLLED DOCUMENT.		DWN M. ZUCCA 29OCT2009	 TE Connectivity	
DIMENSIONS: mm		CHK M. ZUCCA 29OCT2009		
TOLERANCES UNLESS OTHERWISE SPECIFIED:		APVD G. TURCO 29OCT2009	NAME PIN HOUSING PANEL MOUNT VERSION NECTOR* M-LINE	
0 PLC ± 1 PLC ±0.3 2 PLC ±0.20 3 PLC ± 4 PLC ± ANGLES ±3°		PRODUCT SPEC 108-20304	SIZE A3	
MATERIAL SEE NOTES		APPLICATION SPEC 114-20452	CAGE CODE 00779	DRAWING NO G-293598
		WEIGHT ~6.2 g	RESTRICTED TO -	
		Customer Drawing	SCALE 2:1	SHEET 2 OF 4
			REV G	

4

3

2

1

THIS DRAWING IS UNPUBLISHED.

RELEASED FOR PUBLICATION

2011

© COPYRIGHT 2011 BY -

ALL RIGHTS RESERVED.

LOC
1DIST
-

REVISIONS

P	LTR	DESCRIPTION	DATE	DWN	APVD
-	-	SEE SHEET 1	-	-	-

PANEL / WALL
SUGGESTED CUT OUT

PANEL / WALL

26.2
7.0
1.5 - 4.0

$\varnothing 18.00^{+0.20}$
8.30 $^{+0.20}$

THIS DRAWING IS A CONTROLLED DOCUMENT.

DWN
M. ZUCCA 29OCT2009CHK
M. ZUCCA 29OCT2009APVD
G. TURCO 29OCT2009PRODUCT SPEC
108-20304APPLICATION SPEC
114-20452WEIGHT
~6.2 gNAME
PIN HOUSING
PANEL MOUNT VERSION
NECTOR* M-LINE

SIZE CAGE CODE DRAWING NO RESTRICTED TO

A300779 C-293598

Customer Drawing

SCALE 2:1

SHEET 3 OF 4

REV G

DIMENSIONS:
mm

TOLERANCES UNLESS
OTHERWISE SPECIFIED:

0 PLC	±
1 PLC	±0.3
2 PLC	±0.20
3 PLC	±
4 PLC	±
ANGLES	±3°

MATERIAL SEE NOTES

FINISH -

1470-19 (3/11)

THIS DRAWING IS UNPUBLISHED.

RELEASED FOR PUBLICATION

2011

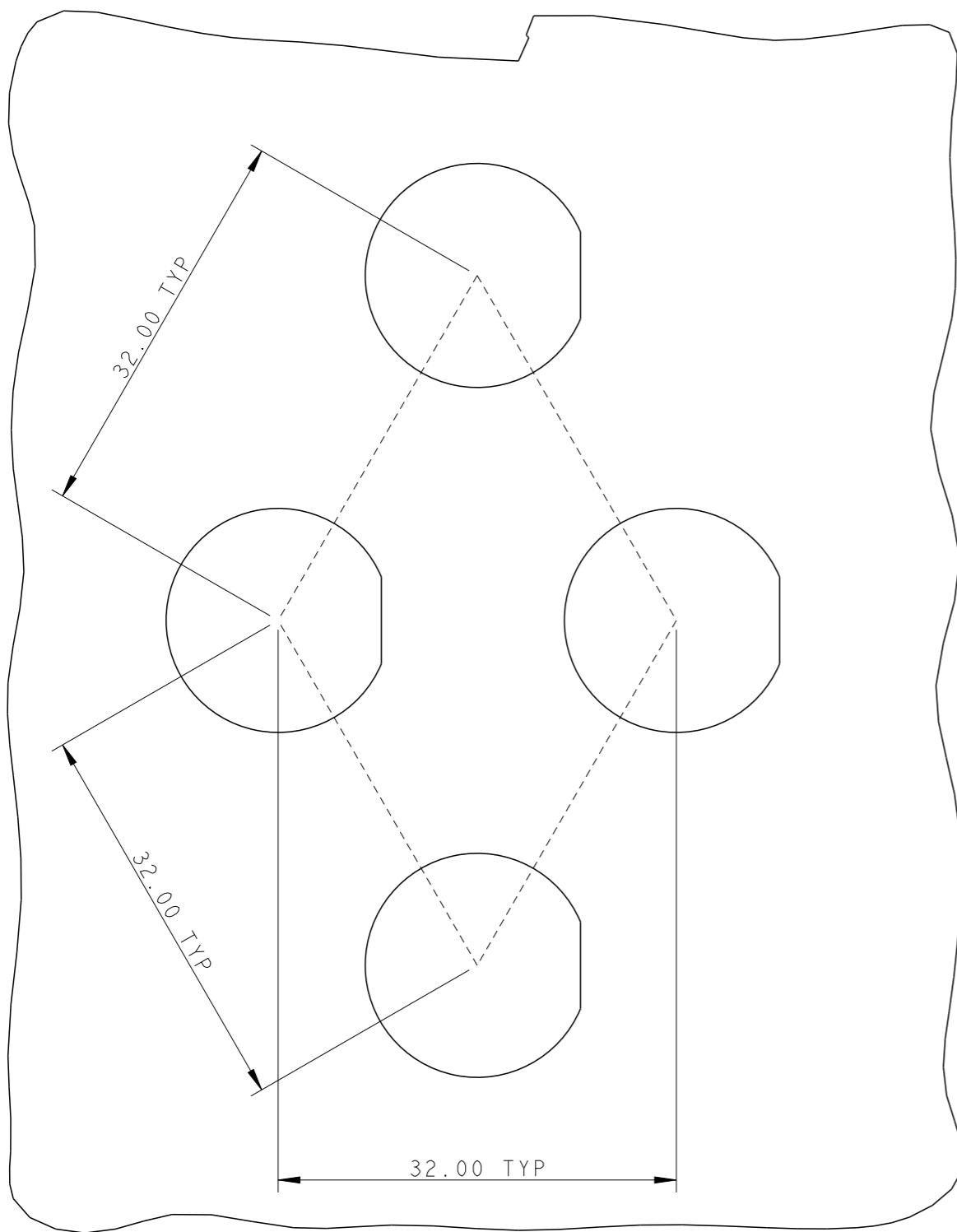
© COPYRIGHT 2011 BY -

ALL RIGHTS RESERVED.

LOC	DIST	REVISIONS					
		P	LTR	DESCRIPTION	DATE	DWN	APVD
1	-	-	-	SEE SHEET 1	-	-	-

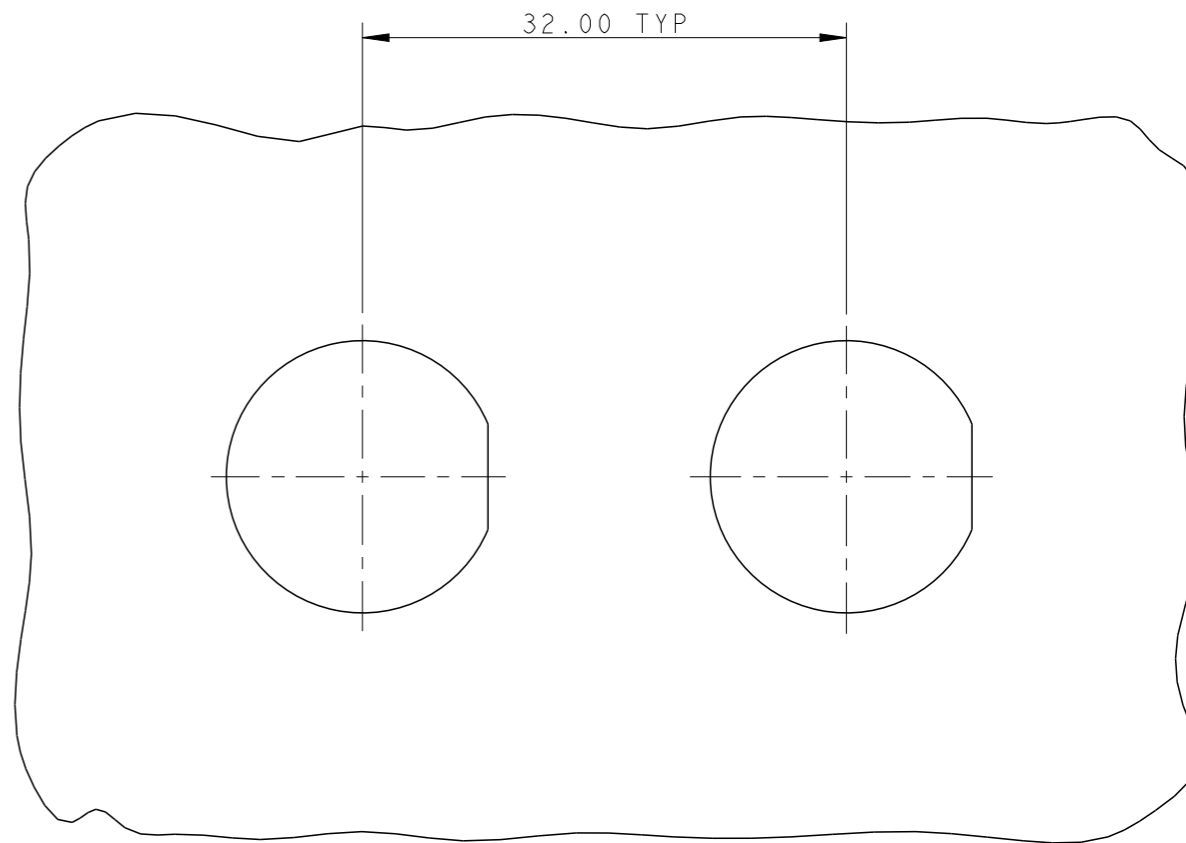
PANEL / WALL
SUGGESTED CUT OUT FOR
MULTIPLE HOLES ON MULTIPLE ROWS

(PITCH CAN BE ADJUSTED TO CUSTOMER
 NEED BUT IN ANY CASE MUST NOT BE LESS
 THAN 30.00 mm)



PANEL / WALL
SUGGESTED CUT OUT FOR
MULTIPLE HOLES ON SINGLE ROW

(PITCH CAN BE ADJUSTED TO CUSTOMER
 NEED BUT IN ANY CASE MUST NOT BE LESS
 THAN 30.00 mm)



THIS DRAWING IS A CONTROLLED DOCUMENT.

DWN M. ZUCCA 29OCT2009

CHK M. ZUCCA 29OCT2009

APVD G. TURCO 29OCT2009

PRODUCT SPEC

108-20304

APPLICATION SPEC

114-20452

WEIGHT ~6.2 g

Customer Drawing



NAME
 PIN HOUSING
 PANEL MOUNT VERSION
 NECTOR* M-LINE

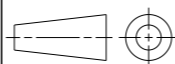
SIZE CAGE CODE DRAWING NO RESTRICTED TO

A300779 C-293598 -

SCALE 2:1 SHEET 4 OF 4 REV G

DIMENSIONS:
mm

TOLERANCES UNLESS
OTHERWISE SPECIFIED:



- 0 PLC ±-
- 1 PLC ±0.3
- 2 PLC ±0.20
- 3 PLC ±-
- 4 PLC ±-
- ANGLES ±3°

MATERIAL SEE NOTES

FINISH -

Mouser Electronics

Authorized Distributor

Click to View Pricing, Inventory, Delivery & Lifecycle Information:

[TE Connectivity:](#)

[1-293598-1](#)