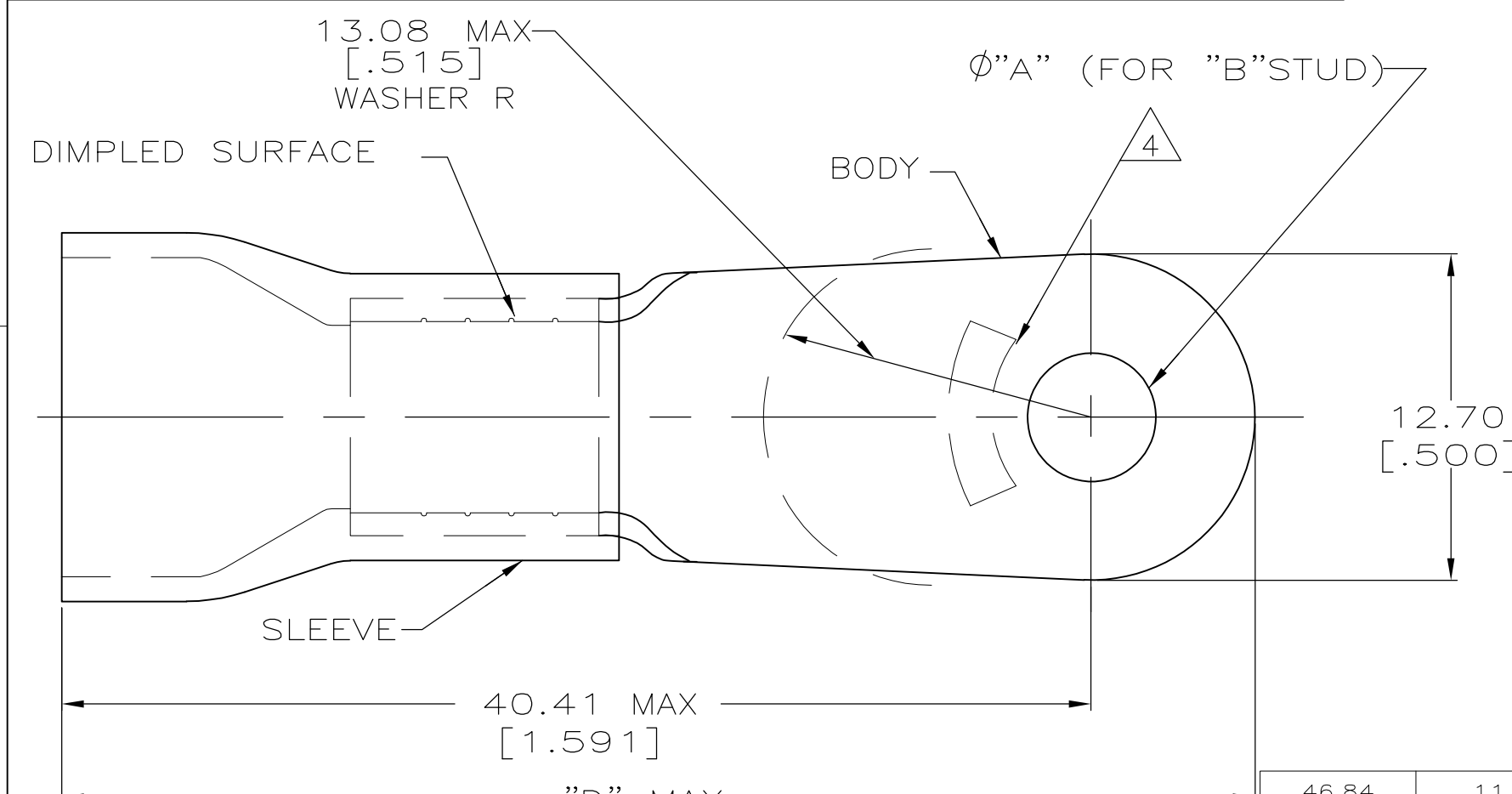


THIS DRAWING IS UNPUBLISHED. RELEASED FOR PUBLICATION
 © COPYRIGHT - By - ALL RIGHTS RESERVED.

| LOC | DIST | REVISIONS | | | | | |
|-----|------|-----------|-----|---------------------------|---------|-----|------|
| G | 14 | P | LTR | DESCRIPTION | DATE | DWN | APVD |
| | | | AB2 | REVISED PER ECO-11-004820 | 11MAR11 | RK | HMR |



| | | |
|----------------|----------------|------------------|
| AMP WIRE RANGE | FILE E13288 | LR7189 Certified |
| 6 AWG STRANDED | 6 AWG STRANDED | 6 AWG STRANDED |

- 1 STAMP AMP 6* LOCATE APPROX AS SHOWN
- 2 TONGUE MATERIAL THK 1.14±0.08 [.045±.003]
- 3 SEE TABLE FOR WIRE INSULATION DIA MAX
- 4 TAPE ITEMS ARE ON 30.48 [1.200] CENTERS
- 5 OBSOLETE AND REPLACED BY 52042-5
- 6 OBSOLETE

| "D" | WIRE INSULATION DIA | "B" | "A" | QTY | PACKAGE TYPE | PART NO |
|---------------|---------------------|-----|-----------------------|-----|-------------------|-----------|
| 46.84 [1.844] | 11.43 [.450] | 1/4 | 6.73±0.13 [.265±.005] | 500 | ON TAPE | 1-52042-4 |
| 46.84 [1.844] | 11.07 [.436] | #10 | 5.00±0.08 [.197±.003] | 100 | LOOSE PC | 1-52042-3 |
| 47.47 [1.869] | 9.14 [.360] | | | 500 | ON TAPE | 1-52042-0 |
| 46.84 [1.844] | 11.07 [.436] | #10 | 5.00±0.08 [.197±.003] | 100 | LOOSE PC, BOX SPL | 9-52042-5 |
| 47.47 [1.869] | 9.14 [.360] | | | 20 | | 8-52042-5 |
| 46.84 [1.844] | 11.07 [.436] | 1/4 | 6.73±0.13 [.265±.005] | 500 | ON TAPE | 52042-9 |
| 47.47 [1.869] | 9.14 [.360] | #8 | 4.34±0.08 [.171±.003] | | | 52042-7 |
| 46.84 [1.844] | 11.07 [.436] | #10 | 5.00±0.08 [.197±.003] | 100 | LOOSE PC | 52042-6 |
| 47.47 [1.869] | 9.14 [.360] | 1/4 | 6.73±0.13 [.265±.005] | | | 52042-5 |
| 46.84 [1.844] | 11.07 [.436] | 1/4 | 6.73±0.13 [.265±.005] | 100 | LOOSE PC | 52042-4 |
| 47.47 [1.869] | 9.14 [.360] | #8 | 4.34±0.08 [.171±.003] | | | 52042-3 |
| 46.84 [1.844] | 11.07 [.436] | 1/4 | 6.73±0.13 [.265±.005] | 100 | LOOSE PC | 52042-2 |
| 47.47 [1.869] | 9.14 [.360] | #8 | 4.34±0.08 [.171±.003] | | | 52042-1 |
| 46.84 [1.844] | 11.07 [.436] | 1/4 | 6.73±0.13 [.265±.005] | 100 | LOOSE PC | 52042 |
| 47.47 [1.869] | 9.14 [.360] | #8 | 4.34±0.08 [.171±.003] | | | |

AMP INCORPORATED
CUSTOMER SERVICE SYSTEMS

FOR ADDITIONAL PRODUCT INFORMATION OR COPIES OF DRAWINGS AND TECHNICAL DOCUMENTS
 PRODUCT INFORMATION CENTER
 1-800-522-6752

FOR APPLICATION TOOLING INFORMATION
 TOOLING ASSISTANCE CENTER
 1-800-722-1111

FOR ORDER ENTRY
 1-800-526-5142

MAX RECOMMENDED OPERATING TEMPERATURE:
 105° C

VOLTAGE RATING
 600 V MAX

CIRCULAR MIL AREA:
 10.54-16.77mm² [20,800-33,100] STRANDED

THIS DRAWING IS A CONTROLLED DOCUMENT FOR AMP INCORPORATED. IT IS SUBJECT TO CHANGE AND THE CONTROLLING ENGINEERING ORGANIZATION SHOULD BE CONTACTED FOR THE LATEST REVISION.

THIS DRAWING IS A CONTROLLED DOCUMENT.

DIMENSIONS: mm [INCHES]

TOLERANCES UNLESS OTHERWISE SPECIFIED:
 0 PLC ± -
 1 PLC ± -
 2 PLC ± 0.20 [.008]
 3 PLC ± -
 4 PLC ANGLES ± -

MATERIAL: COPPER PER ASTM B-152 PVC, COLOR: BLUE

FINISH: TIN PLATE PER ASTM B-545

DWN S.S. GOULDEN 9-29-93
 CHK R. HERSEY 9-29-93
 APVD B. BARE 9-29-93

PRODUCT SPEC: NOT AVAILABLE
 APPLICATION SPEC: 114-2161
 WEIGHT: -

STE TE Connectivity

NAME: TERMINAL, RING TONGUE, PLASTIC-GRIP,™ WIRE SIZE: 6 AWG

SIZE: A3 CAGE CODE: 00779 DRAWING NO: C-52042 RESTRICTED TO: -

CUSTOMER DRAWING SCALE: 4:1 SHEET: 1 OF 1 REV: AB2

Mouser Electronics

Authorized Distributor

Click to View Pricing, Inventory, Delivery & Lifecycle Information:

[TE Connectivity:](#)

[52042-5](#) [52042-6](#) [52042-7](#) [52042-9](#) [1-52042-0](#) [1-52042-3](#)