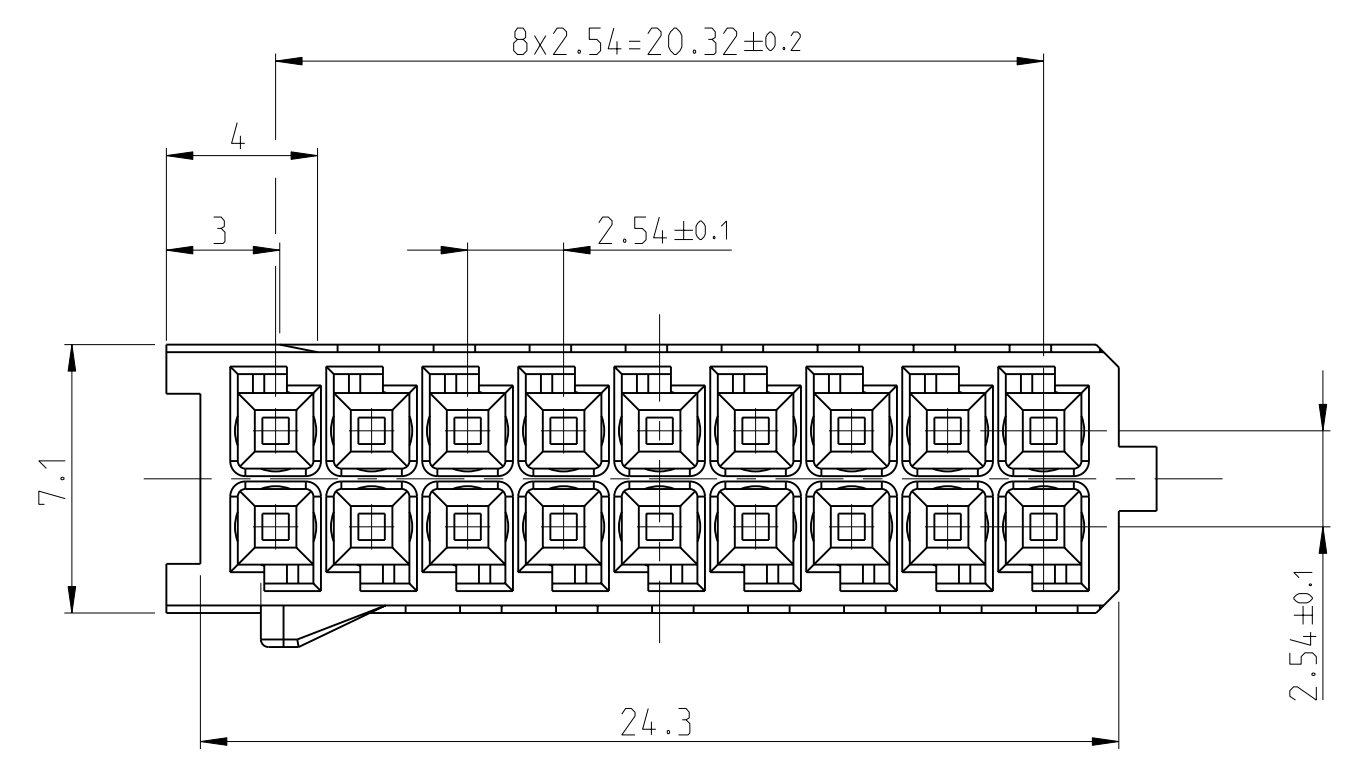
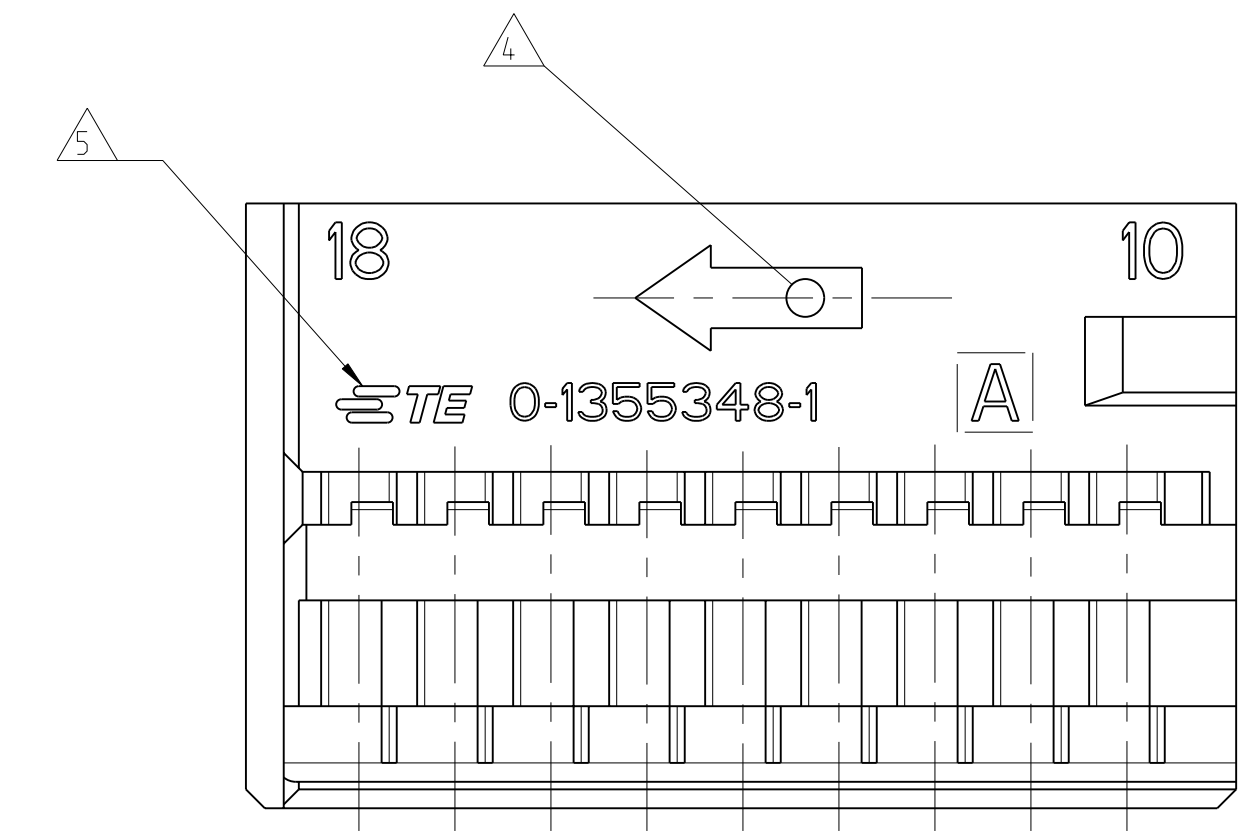
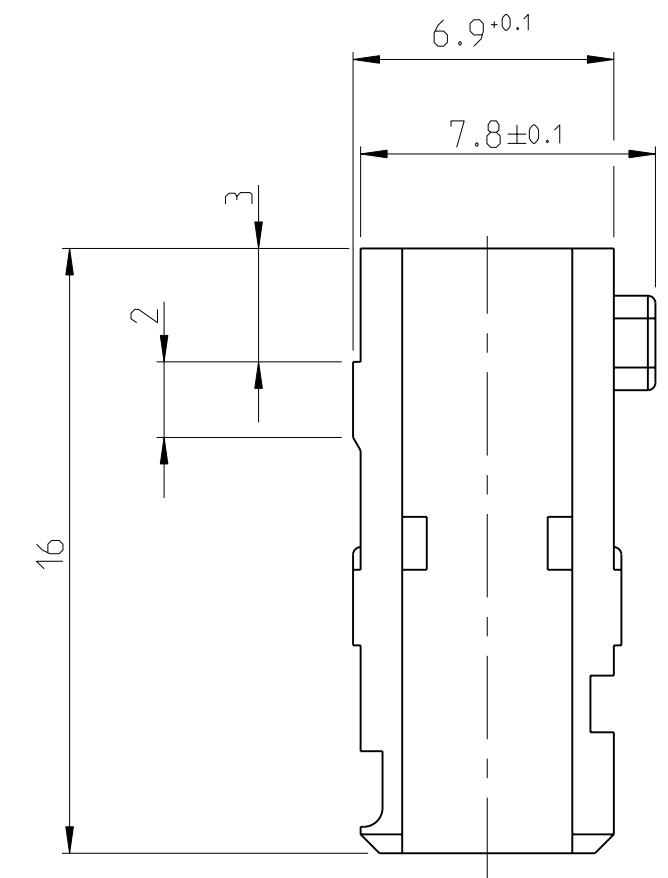
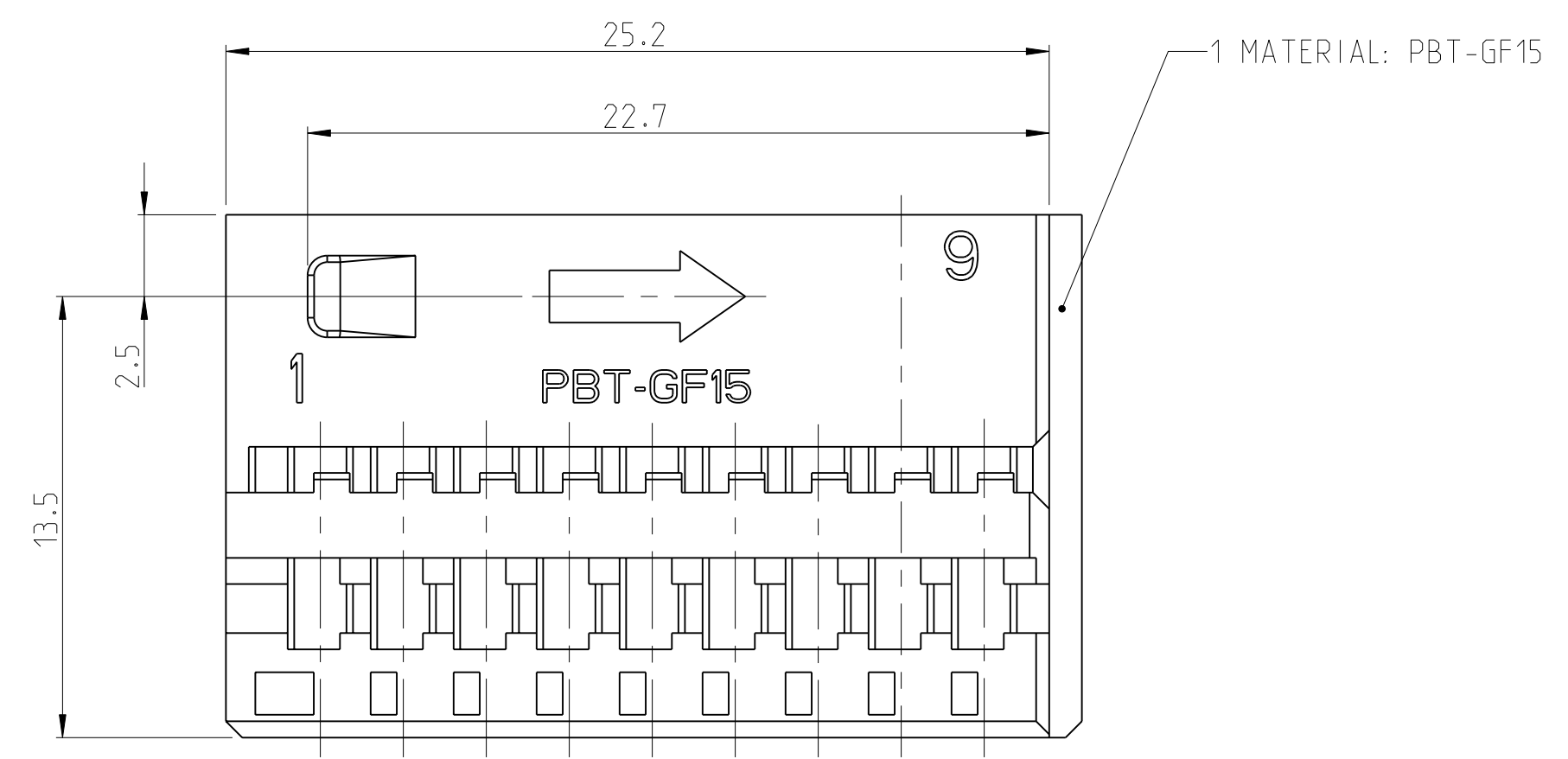


LOC	DIST	REV	DATE	DWN	APVD
FM	-	A2	21MAR2011	RK	HMR
PROJECT NR.	(1899-52188)	A3	11MAY2011	KWE	B.F.
		A4	19APR2012	VP	B.F.



NOTES
Bemerkungen

- 1 ASSOCIATION SEE TABLE
Zuordnung siehe Tabelle
- 2 Produktspezifikation: 108-18157-1
PRODUCTSPECIFICATION:108-18157-1
- 3 WIRE SIZE RANGE 0.75 mm IN ALL CAVITIES POSSIBLE
BUT ONLY IN 4 CAVITIES PERMITTED
Drahtgrossenbereich 0.75 mm in allen Kammern moeglich.
jedoch nur in 4 Kammern zulaessig

- 4 CAVITY MARKING
Nestmarkierung
- 5 TE-LOGO
TE-Logo

	Tool 1 Werkzeug 1	Tool 2 Werkzeug 2
TE LOGO TE Logo	AMP	TE
Tool Number Werkzeugnummer		
Tool Cavity 1 Formnest 1	1	2.1
Tool Cavity 2 Formnest 2	2	2.2
Tool Cavity 3 Formnest 3	3	2.3
Tool Cavity 4 Formnest 4	4	2.4

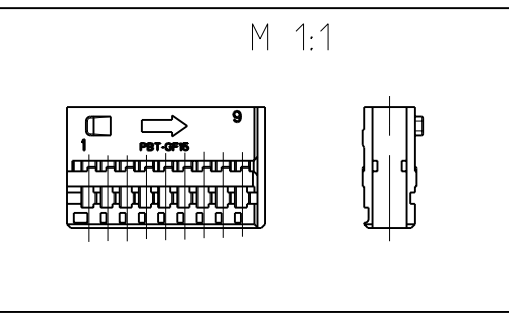
0-1355348-1	A	/	1	1	SOCKET. HOUSING Buchsengehaeuse	BLACK schwarz	1.7	4-1355350-1 3-1355350-1 2-1355350-1 1-1355350-1	NOT YET TOOLED
TE BESTELL-NR. ORDER NO.	REV. KOD.	COD. KOD.	POS.	QTY. STK.	DESCRIPTION BENENNUNG	OBERFLAECHE SURFACE FARBE/COLOUR	GRAMM GEWICHT WEIGHT	SUITABLE FOR/PASSEND ZU: SHIELD/Abdeckkappe TE CONNECTIVITY	

CUSTOMER PART NO	PART NO	REV	PCS	MATERIAL	SURFACE COLOUR	DESCRIPTION

THIS DRAWING IS A CONTROLLED DOCUMENT.
 DIMENSIONING AND TOLERANCING PER GPS (ISO STANDARDS)

DIMENSIONS: MASSENMESSEN: mm	TOLERANCES UNLESS OTHERWISE SPECIFIED: ALLGEMEINTOLERANZEN	DWN D.Ebank 31JAN2000	NAME M
0 PLC ±0.2	1 PLC ±0.1	APVD B.Eieberling	PRODUCT SPEC MICRO QUADLOK SYSTEM. SOCKET HOUSING.18POS.
2 PLC ±0.2	3 PLC ±	APVD	PRODUCT SPEC Micro Quadlok System. Buchsengehaeuse.18POS
4 PLC ±	5 PLC ±	APVD	APPLICATION SPEC VERARBEITUNGSPEZ.
FINISH/SCHLUESSEL: FARBEN/FARBE	WEIGHT GEWICHT	SIZE A1	CAGE CODE 00779
		DRAWING NO. ZUEICHNUNG-NR.	SCALE 5:1
		0-1355348	SHEET 1
			OF 1
			REV A4

CUSTOMER DRAWING /KUNDENZEICHNUNG



Mouser Electronics

Authorized Distributor

Click to View Pricing, Inventory, Delivery & Lifecycle Information:

[TE Connectivity:](#)

[1355348-1](#)