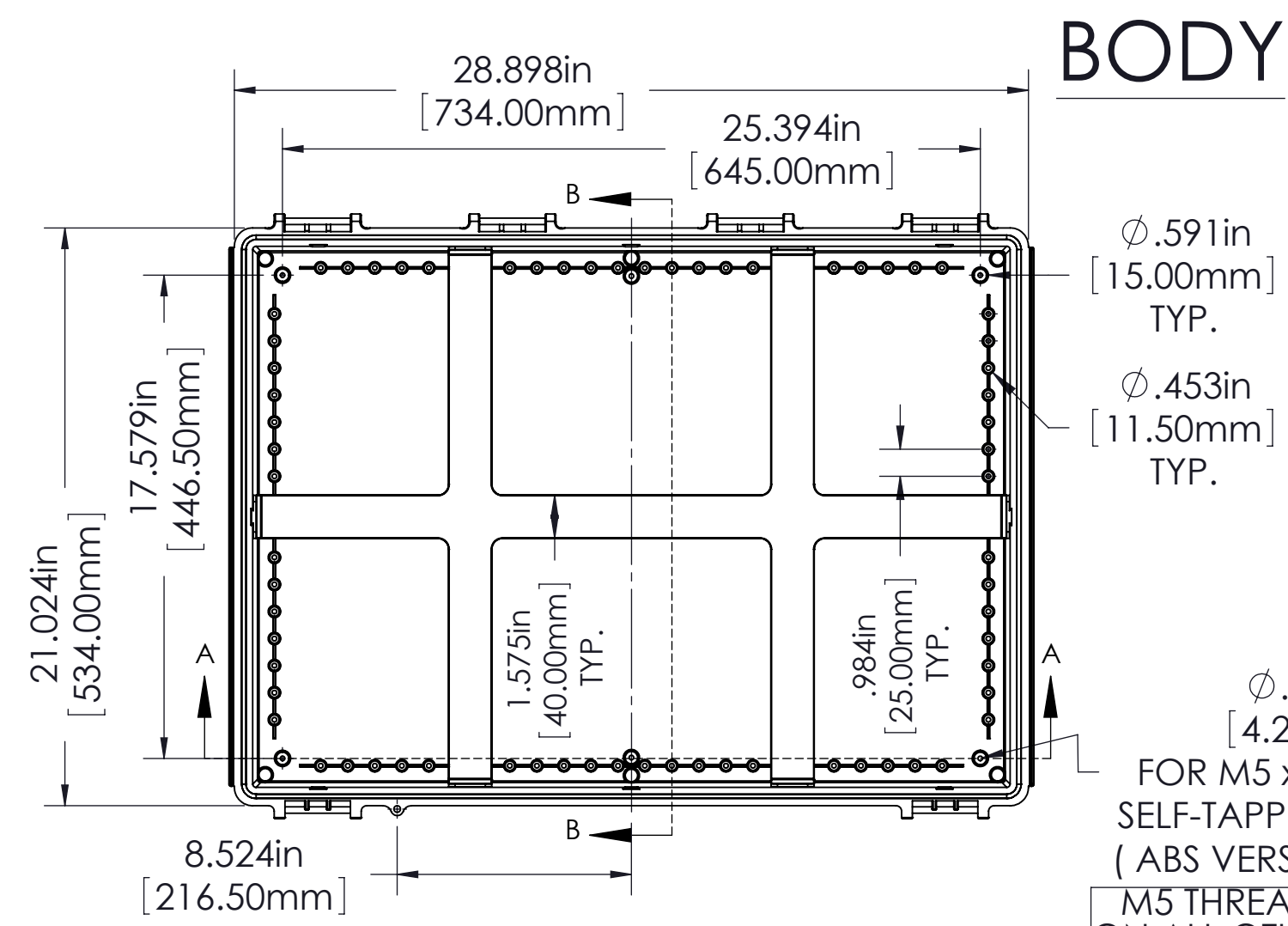


MATERIAL	FLAMMABILITY RATING	CONTINUOUS OPERATING TEMP.
ABS	UL94-HB	-40°C ~ +60°C / -40°F ~ 140°F
CLEAR PC	UL94-V0 UV STABILIZED	-40°C ~ +130°C / -40°F ~ 266°F
ABS / PC BLEND	UL94-5VA	-40°C ~ +85°C / -40°F ~ 185°F
PBT / PC BLEND	UL94-5VA + UV (f1)	-40°C ~ +75°C / -40°F ~ 167°F

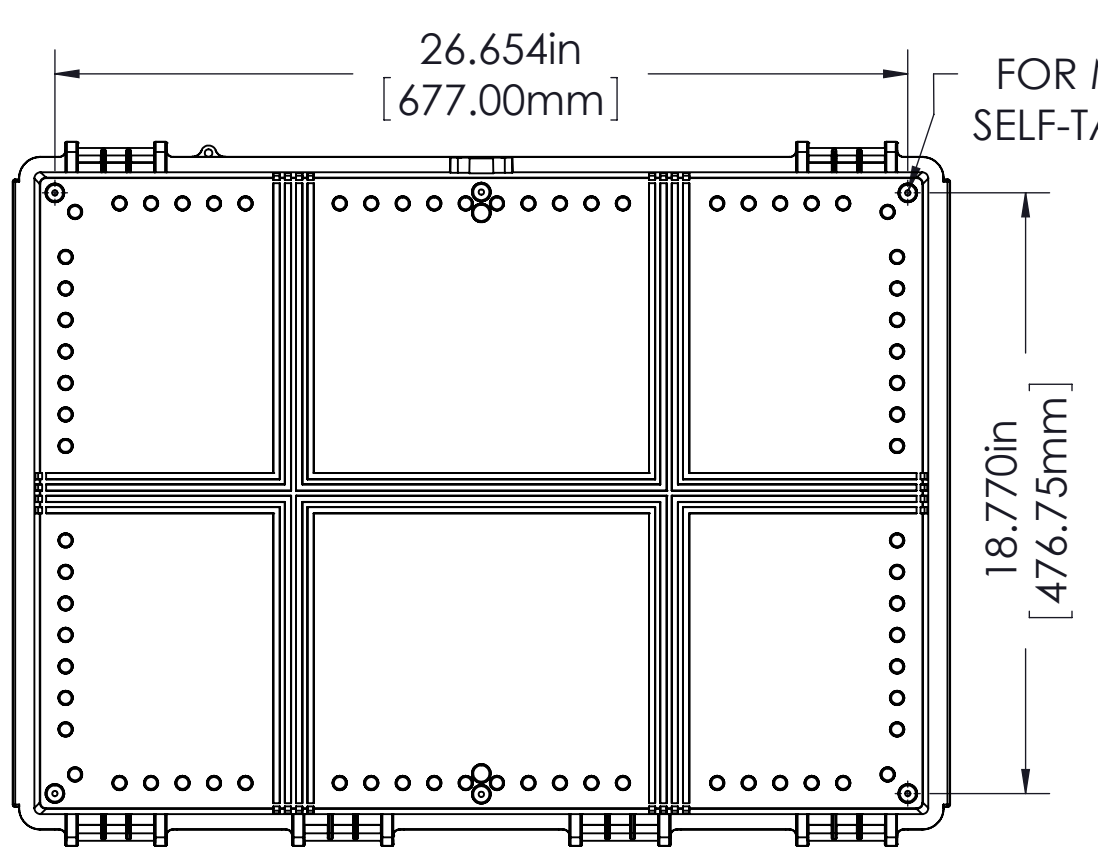
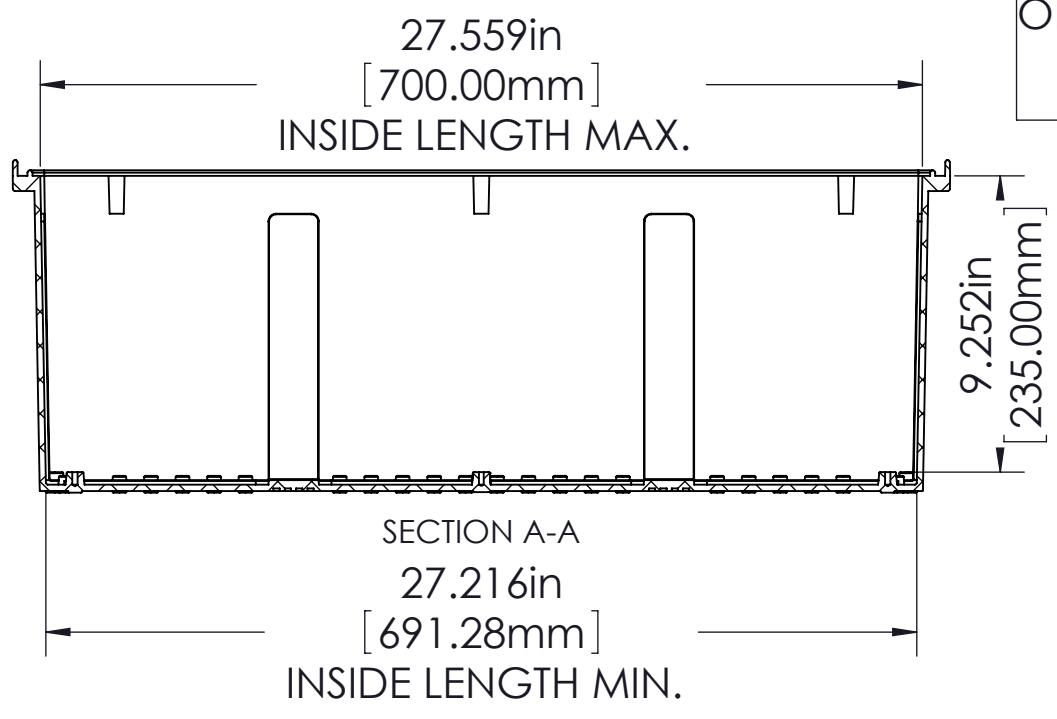
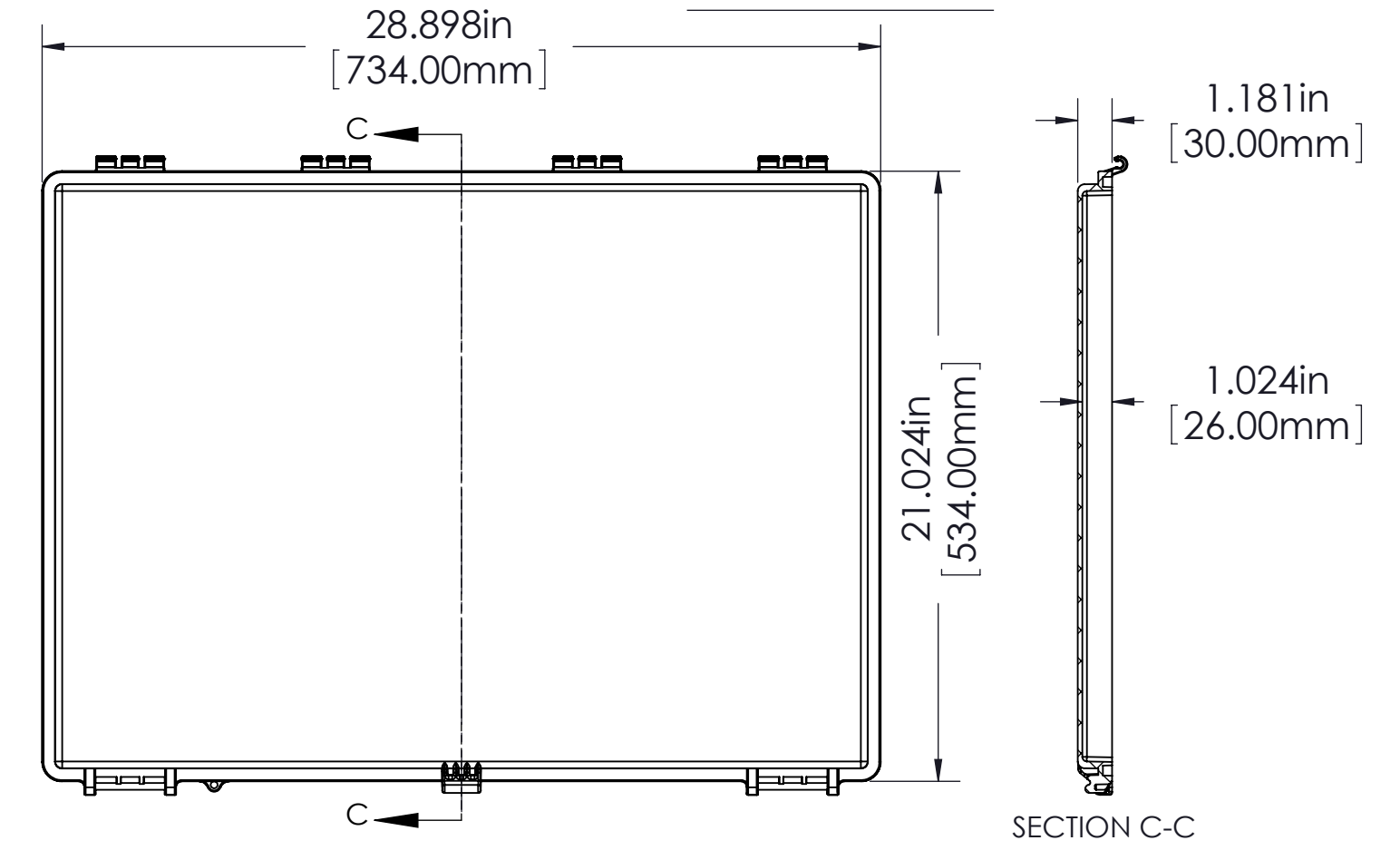
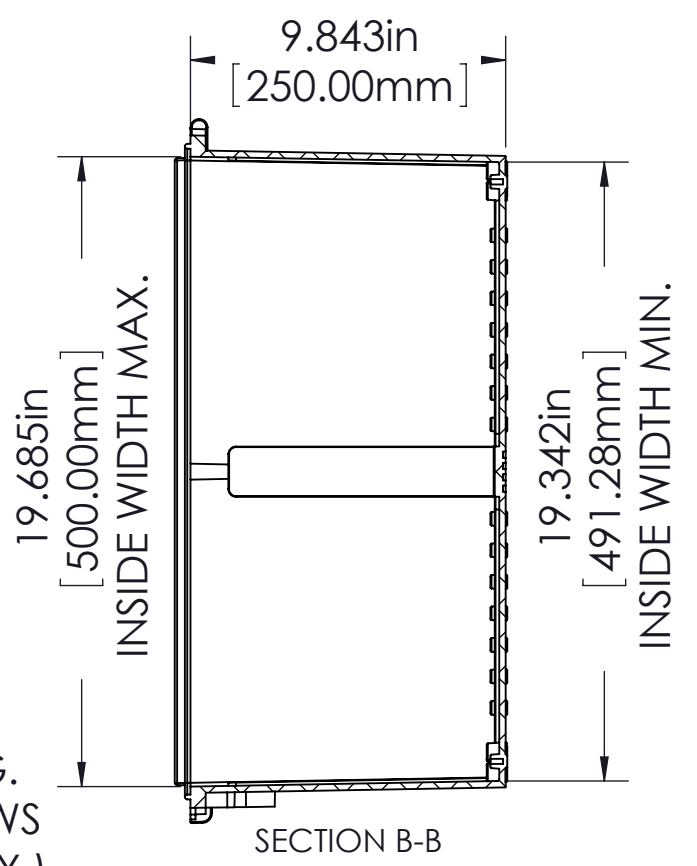
FINISH:  
 BODY \_\_\_\_\_ LIGHT GRAY  
 COVER \_\_\_\_\_ LIGHT GRAY OR CLEAR  
 LATCHES & HINGES \_\_\_\_\_ PLASTIC  
 WALL MOUNTING BRACKETS \_\_\_\_\_ STAINLESS STEEL & HARDWARE

## COVER

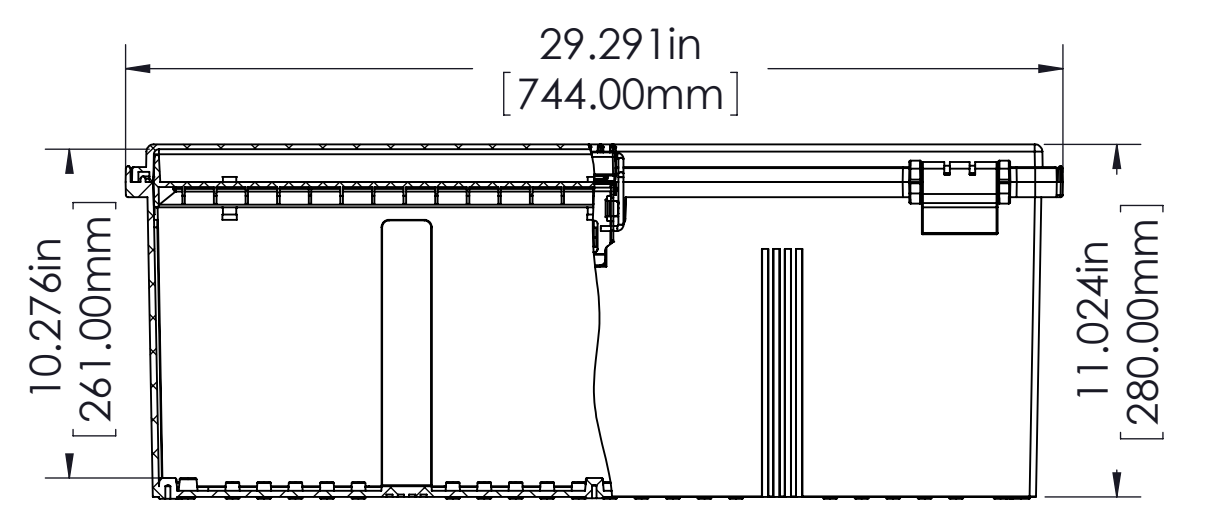
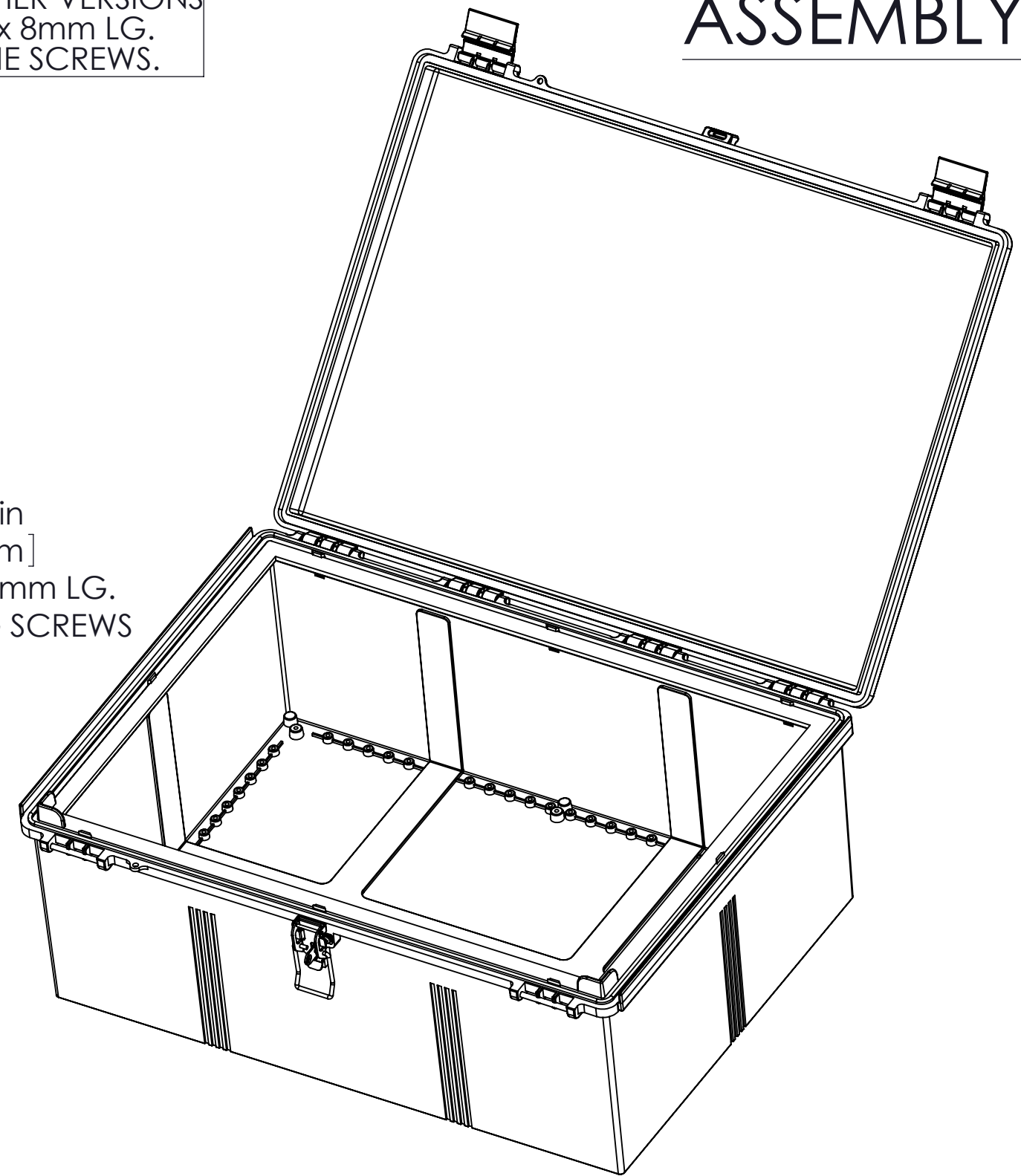


## BODY

$\phi$ .591in [15.00mm] TYP.  
 $\phi$ .453in [11.50mm] TYP.  
 $\phi$ .165in [4.20mm] FOR M5 x 10mm LG. SELF-TAPPING SCREWS (ABS VERSIONS ONLY) M5 THREADED INSERTS ON ALL OTHER VERSIONS USE M5 x 8mm LG. MACHINE SCREWS.



## ASSEMBLY



- NOTES:**
- UNIT COMES COMPLETE WITH (4) WALL MOUNTING BRACKETS & (4) M4 x 10mm LG. SELF-TAPPING SCREWS. (NOT SHOWN)
  - BOXES DESIGNED TO MEET THESE STANDARDS: NEMA 1,2,4,4X, AND IEC529-IP65 REQUIREMENTS.

**TOLERANCE:**  
 ALL DIMENSIONS HAVE  $\pm 0.039$ in [ $\pm 1$ mm] TOLERANCE UNLESS OTHERWISE SPECIFIED.

PART NO.	MATERIAL		USE
	BODY	COVER	
NBF-32046	ABS	ABS	INDOOR
NBF-32146	ABS / PC	ABS / PC	INDOOR
NBF-32246	ABS / PC	CLEAR PC	INDOOR
NBF-32346	PBT / PC	PBT / PC	OUTDOOR
NBF-32446	PBT / PC	CLEAR PC	OUTDOOR

# Mouser Electronics

Authorized Distributor

Click to View Pricing, Inventory, Delivery & Lifecycle Information:

[Bud Industries:](#)

[NBF-32146](#) [NBF-32246](#) [NBF-32346](#)