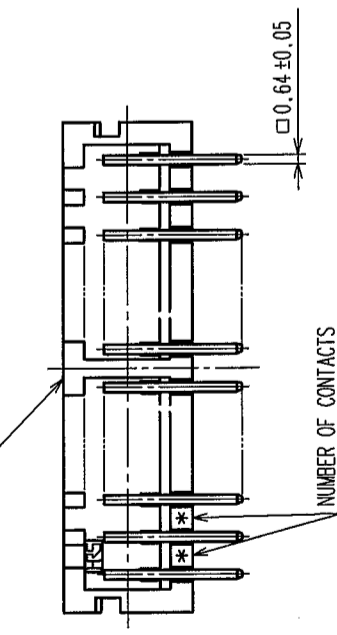
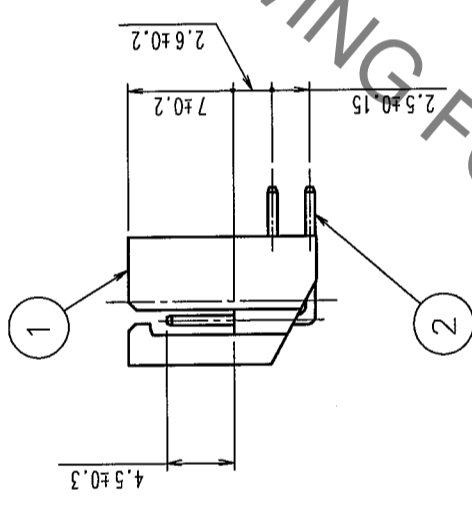
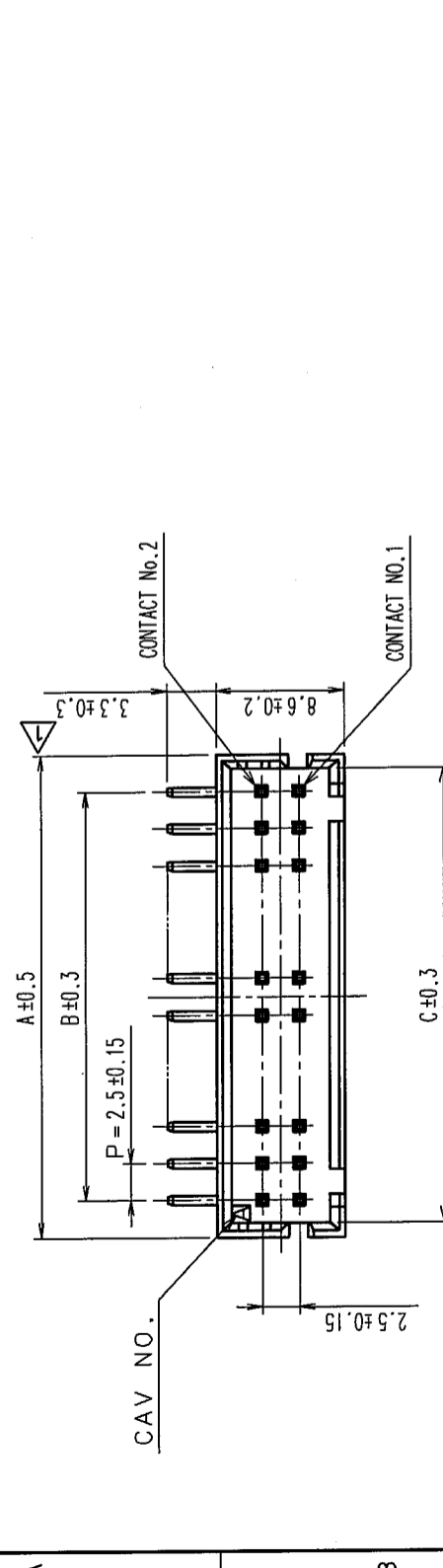
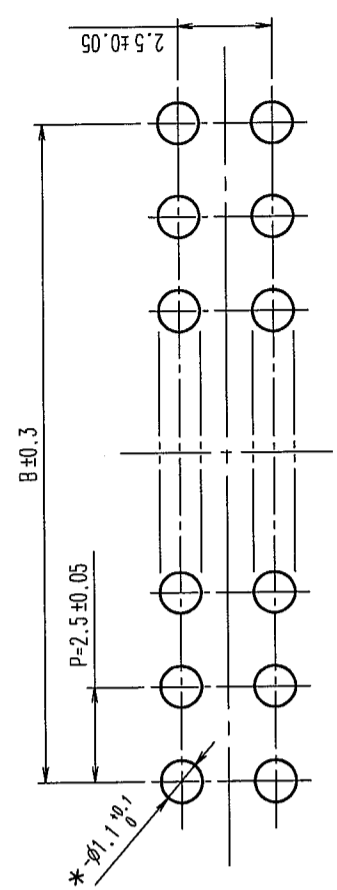


COUNT	DESCRIPTION OF REVISIONS	BY	CHKD	DATE	COUNT	DESCRIPTION OF REVISIONS	BY	CHKD	DATE
1	RE-H-06185	I.D.H.U.		04-04-12					

PART NO.	CODE NO.	A	B	C
CL541-2051-9-00	DF1BZ-4DP-2.5DS	7.5	2.5	5.6
CL541-2052-1-00	DF1BZ-6DP-2.5DS	10.0	5.0	8.1
CL541-2053-4-00	DF1BZ-8DP-2.5DS	12.5	7.5	10.6
CL541-2054-7-00	DF1BZ-10DP-2.5DS	15.0	10.0	13.1
CL541-2055-0-00	DF1BZ-12DP-2.5DS	17.5	12.5	15.6
CL541-2056-2-00	DF1BZ-14DP-2.5DS	20.0	15.0	18.1
CL541-2057-5-00	DF1BZ-16DP-2.5DS	22.5	17.5	20.6
CL541-2058-8-00	DF1BZ-18DP-2.5DS	25.0	20.0	23.1
CL541-2059-0-00	DF1BZ-20DP-2.5DS	27.5	22.5	25.6
CL541-2060-0-00	DF1BZ-22DP-2.5DS	30.0	25.0	28.1
CL541-2061-2-00	DF1BZ-24DP-2.5DS	32.5	27.5	30.6
CL541-2062-5-00	DF1BZ-26DP-2.5DS	35.0	30.0	33.1
CL541-2063-8-00	DF1BZ-28DP-2.5DS	37.5	32.5	35.6
CL541-2064-0-00	DF1BZ-30DP-2.5DS	40.0	35.0	38.1
CL541-2065-3-00	DF1BZ-34DP-2.5DS	45.0	40.0	43.1
CL541-2066-6-00	DF1BZ-36DP-2.5DS	47.5	42.5	45.6
CL541-2067-9-00	DF1BZ-40DP-2.5DS	52.5	47.5	50.6



RECOMMENDED PATTERN(5:1)



NOTES ①: FOR 4 AND 6 CONTACTS, ONE MIS-INSERTION DEPRESSION SHALL BE MADE, FOR OTHERS, 2 MIS-INSERTION DEPRESSION AS PER DRAWING.  
 ②: STAND-OFF SHALL MOVE RIGHT FOR 1.25 WHEN ONE-SIDE, ONE-ROW IS ODD.  
 (STAND-OFF DESIGN SHALL BE AVAILABLE FOR 10 CONTACTS AND OVER)

1	POLYAMIDE	UL94V-0, NATURAL (WHITE)	2	BRASS	SURFACE: TIN PLATED 1μm min UNDER PLATING: NICKEL PLATED 0.5μm min
NO.	MATERIAL	FINISH, REMARKS	NO.	MATERIAL	FINISH, REMARKS
CODE NO. (OLD)		DRAWN		DESIGNED	CHECKED
		F. Matsuki		H. Umehara	T. Miyazaki
		'04.03.25		'04.03.25	'04.03.25
DRAWING NO.		PART NO.		RELEASED	
EDC3-305815-01		DF1BZ-*DP-2.5DS		APPROVED	
SCALE		CODE NO.		T. Oma	
2 : 1		CL541-		'04.03.25	
UNITS		HIROSE ELECTRIC CO., LTD		'04.03.25	
mm					

TO	
----	--