

# Chang Hong Technology Co., Ltd.

## 2.4G DIPOLE 2dBi ANTENNA

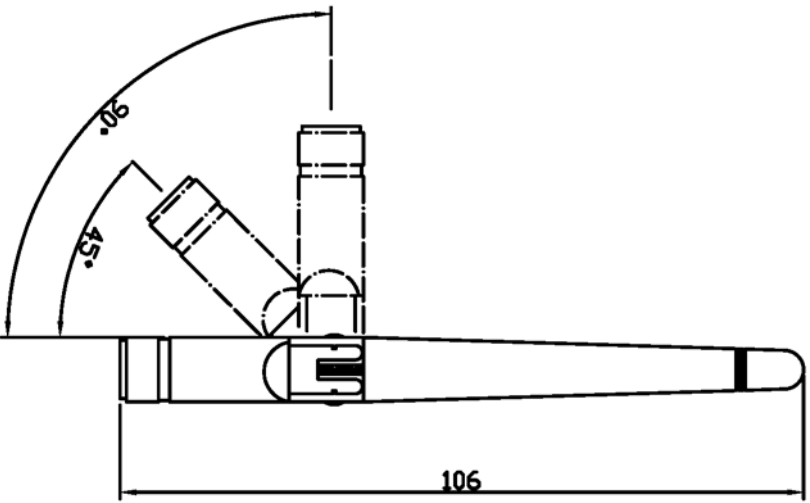


### Specifications/Special Features :

**This antenna is designed for wireless communications**

Specification	
Type	DIPOLE
Model No.	DA-24-04
Model name	DA-24-04-SMR (FOR SMA PLUG RP)
CONNECTOR	Option
Gain (d Bi )	2
Type	DIPOLE
Polarization	Linear Vertical
SWR	$\leq 1.5 : 1$
Frequency	2400~2500MHz
Weight	10g
Size	H106xW13xD13mm

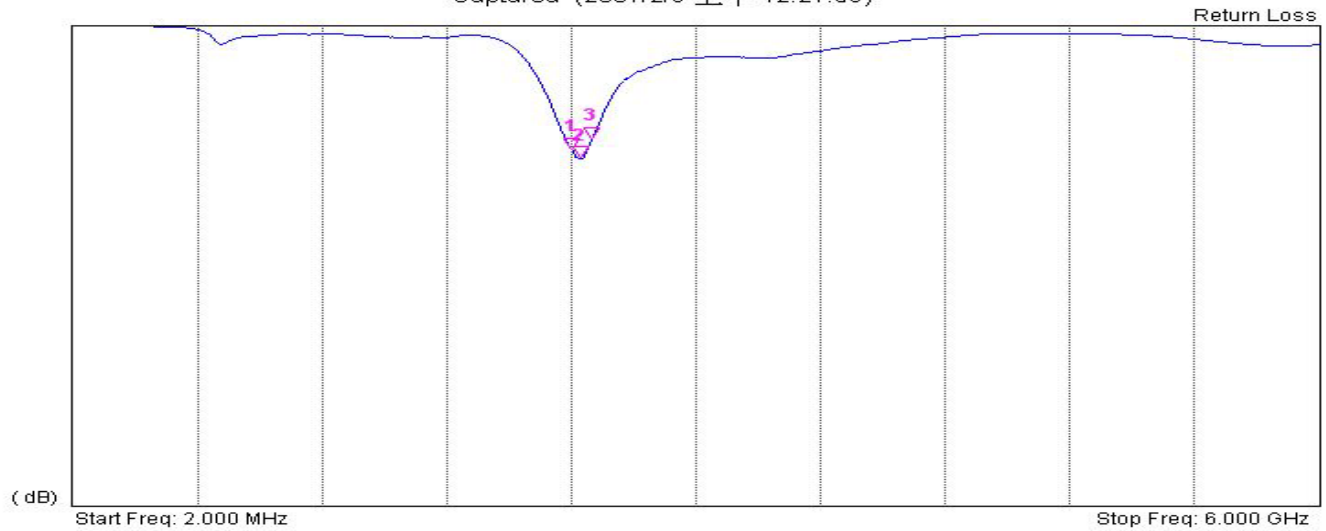
DA-24-04	2dB	SIZE	κ
45° or 90°		DATE	



1	FREQUENCY :	2.4-2.5GHz	6	IMPEDANCE :	50 Ω
2	GAIN :	2dB	7		
3	V.S.W.R :	<1.5:1	8		
4	LENGTH :	106mm	9		
5	CONNECTOR :		10		

VNA Measurement Data  
 Captured (2007/2/9 上午 12:27:59)

VNA

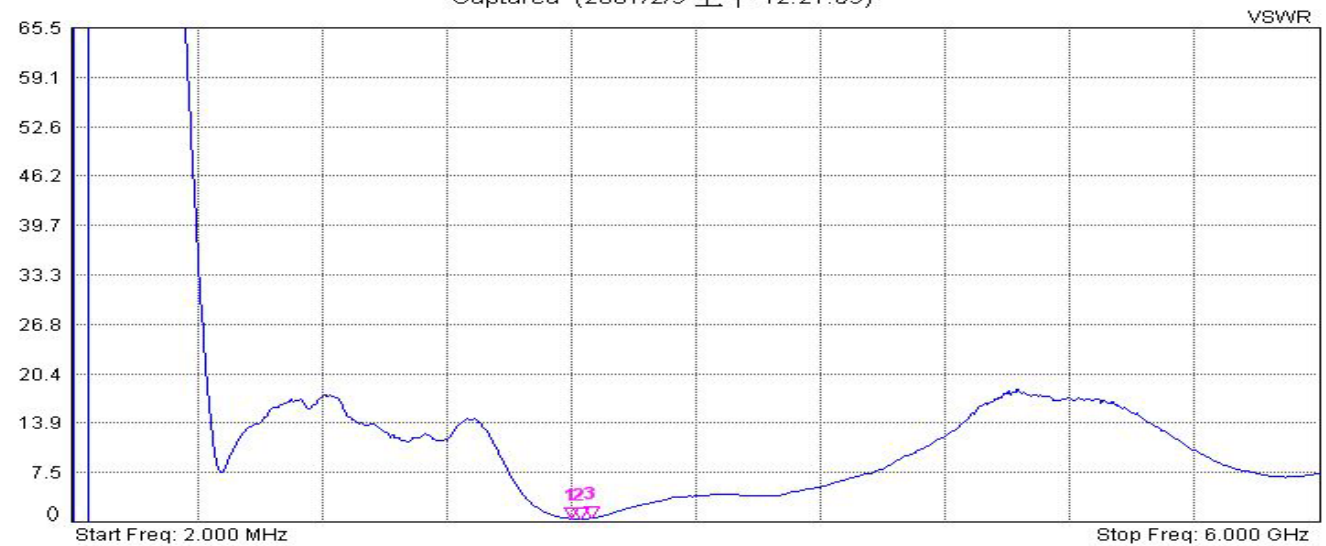


Mkr	Ref	Delta	Ref Freq	Ref Amp	Delta Freq	Delta Amp
1	<input type="checkbox"/>	<input type="checkbox"/>	2.4012 GHz	15.43 dB	--	--
2	<input type="checkbox"/>	<input type="checkbox"/>	2.4448 GHz	16.51 dB	--	--
3	<input type="checkbox"/>	<input type="checkbox"/>	2.4993 GHz	14.14 dB	--	--
4	<input type="checkbox"/>	<input type="checkbox"/>	--	--	--	--
5	<input type="checkbox"/>	<input type="checkbox"/>	--	--	--	--
6	<input type="checkbox"/>	<input type="checkbox"/>	--	--	--	--

Measurement Parameters			
Calibration Status	On	Serial Number	651009
Data Points	551	Base Ver.	V1.48
Output Power	High	App Ver.	V1.48
Start Frequency	2.000 MHz	Date	2007/2/9 上午 12:27:59
Stop Frequency	6.000 GHz	Device Name	

VNA Measurement Data  
 Captured (2007/2/9 上午 12:27:59)

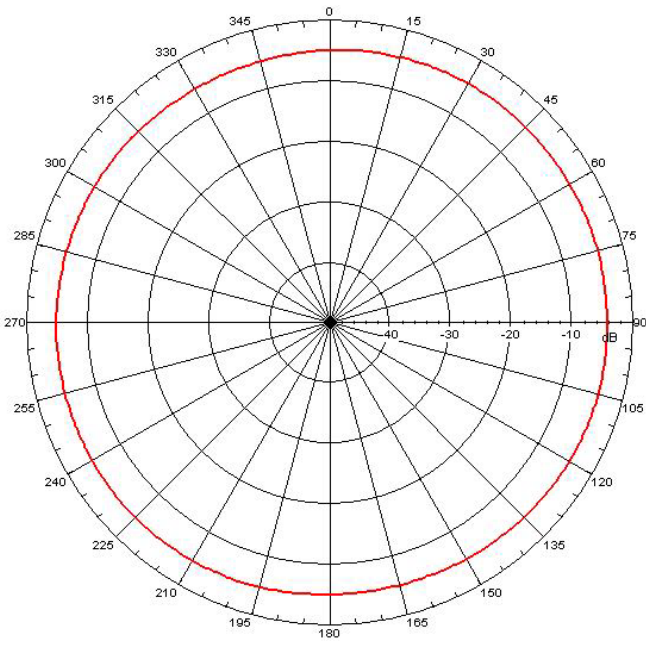
VNA



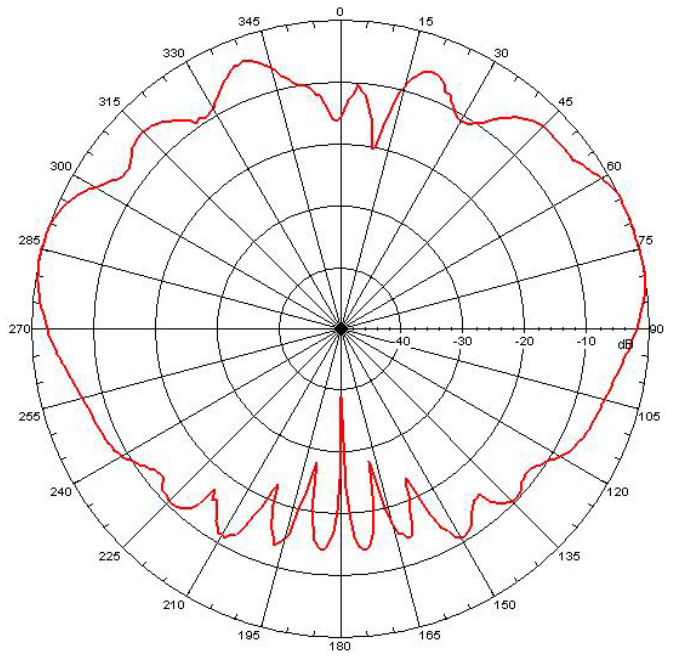
Mkr	Ref	Delta	Ref Freq	Ref Amp	Delta Freq	Delta Amp
1	<input type="checkbox"/>	<input type="checkbox"/>	2.4012 GHz	1.41	--	--
2	<input type="checkbox"/>	<input type="checkbox"/>	2.4448 GHz	1.35	--	--
3	<input type="checkbox"/>	<input type="checkbox"/>	2.4993 GHz	1.49	--	--
4	<input type="checkbox"/>	<input type="checkbox"/>	--	--	--	--
5	<input type="checkbox"/>	<input type="checkbox"/>	--	--	--	--
6	<input type="checkbox"/>	<input type="checkbox"/>	--	--	--	--

Measurement Parameters			
Calibration Status	On	Serial Number	651009
Data Points	551	Base Ver.	V1.48
Output Power	High	App Ver.	V1.48
Start Frequency	2.000 MHz	Date	2007/2/9 上午 12:27:59
Stop Frequency	6.000 GHz	Device Name	

# H-PLANE



# E-PLANE



# Mouser Electronics

Authorized Distributor

Click to View Pricing, Inventory, Delivery & Lifecycle Information:

[Adafruit:](#)

[944](#)