

8

7

6

5

4

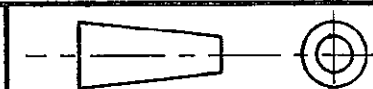
3

2

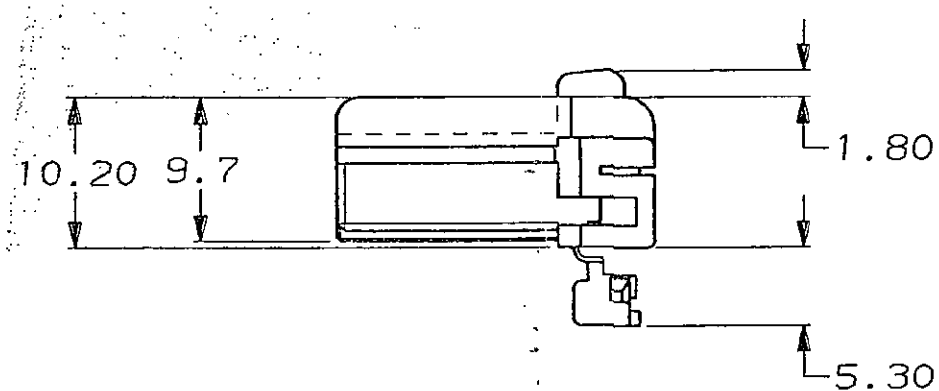
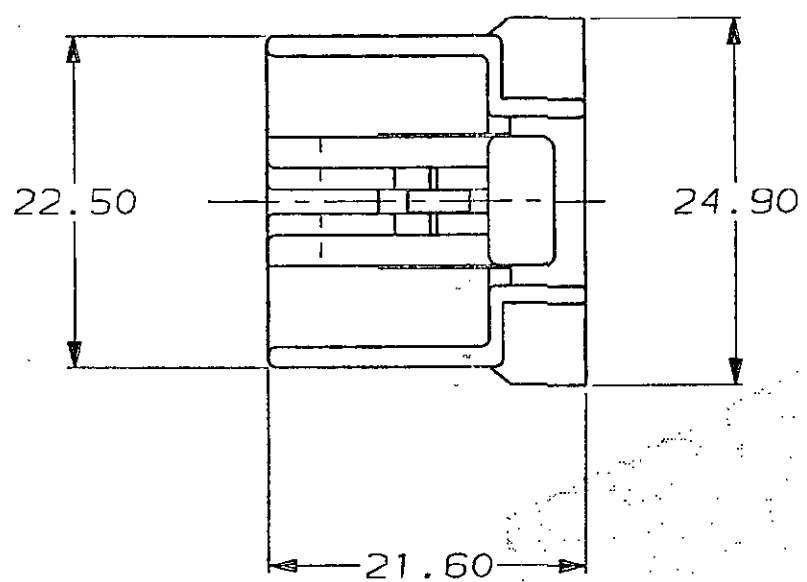
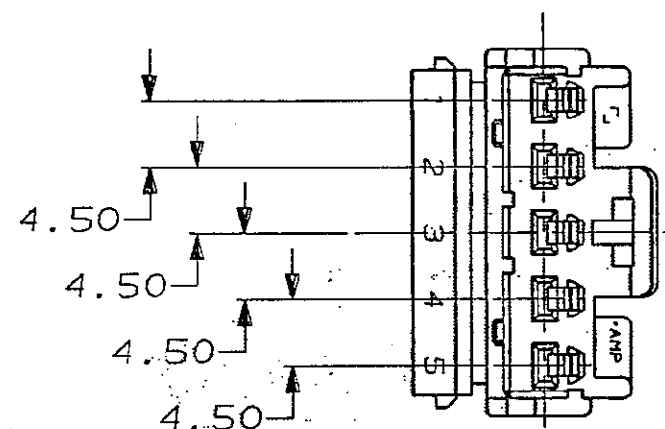
1

DO NOT SCALE

DIMENSIONS IN MM.



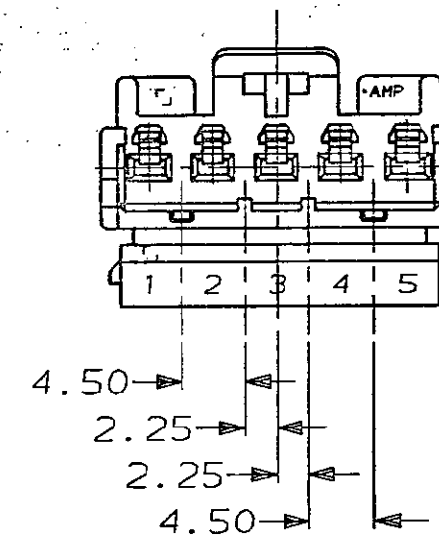
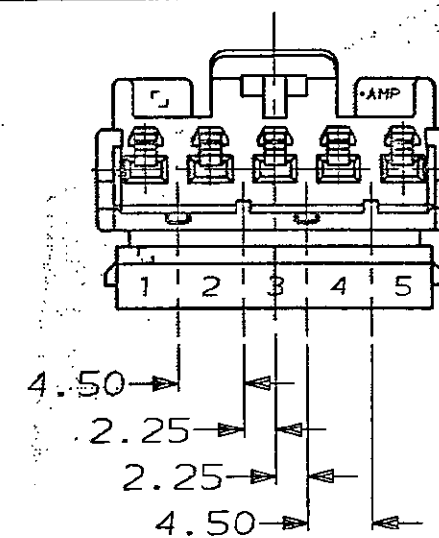
C.A.D. FILE CODE  
S. C347477



### INHIBITIONS

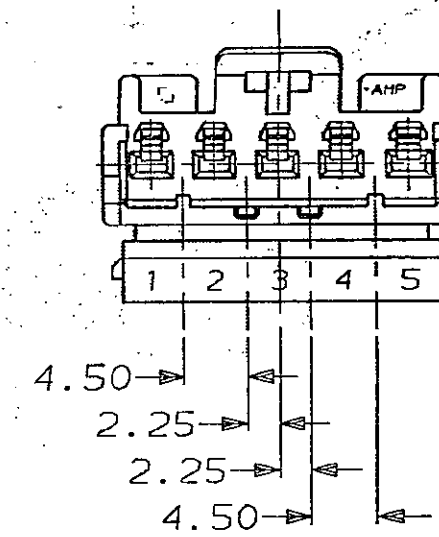
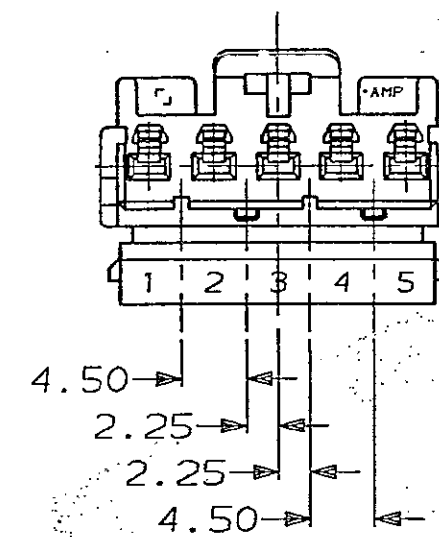
347477-3

347477-1



347477-4

347477-2



GREEN	HEAT STABILIZED PA6,6	347477-4
BLUE	HEAT STABILIZED PA6,6	347477-3
WHITE	HEAT STABILIZED PA6,6	347477-2
BLACK	HEAT STABILIZED PA6,6	347477-1
COLOUR	MATERIAL	PART NUMBER

CUSTOMER DWG FOR REFERENCE ONLY		©COPYRIGHT 1992 BY AMP OF GREAT BRITAIN LTD. ALL INTERNATIONAL RIGHTS RESERVED. ALL PRODUCTS MAY BE COVERED BY BRITISH AND FOREIGN PATENTS AND/OR PATENTS PENDING.		RELEASED FOR PUBLICATION 30 JUL 1992	
-	-	TOLERANCES UNLESS OTHERWISE STATED :		DR. DBK-M 30/7/92	
-	-	DEC ± 0.5		CH. J. CREW APP. J. PALMER	
-	-	ANGLES ± 1°		AMP of Great Britain Ltd. TERMINAL HOUSE STANMORE MIDDXX.	
3	EB00-0438-97	DBK-M	26/2/93	NAME 5-WAY RECEPTACLE HOUSING MULTILOCK - TRW SWITCH	
2	DBK-M	C6334	28/8/92	SCALE LOC SIZE DWG.No.	
1	DBK-M	-	30/7/92	2/1 E A2 C347477	
REV	APPROVED	ECN	DATE	REV	SHEET
				1	1/1

8

7

6

5

4

3

2

1

# Mouser Electronics

Authorized Distributor

Click to View Pricing, Inventory, Delivery & Lifecycle Information:

[TE Connectivity:](#)

[347477-1](#)