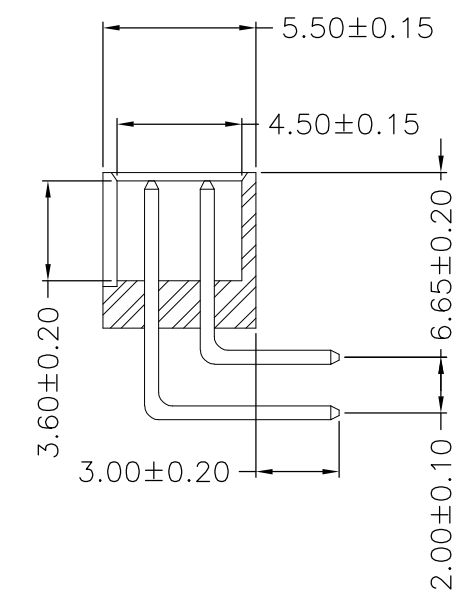
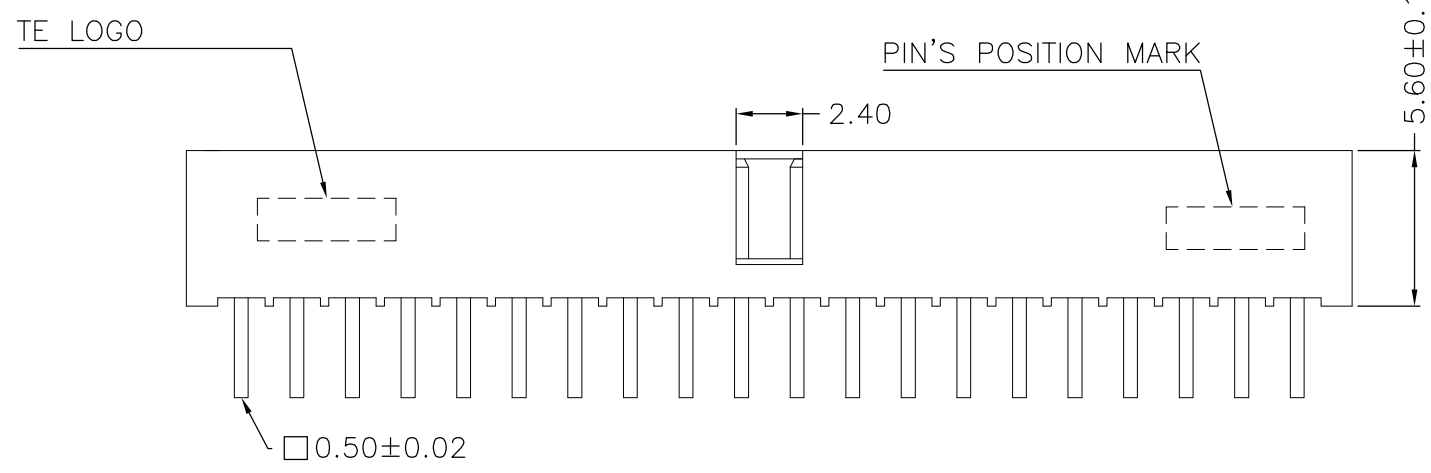
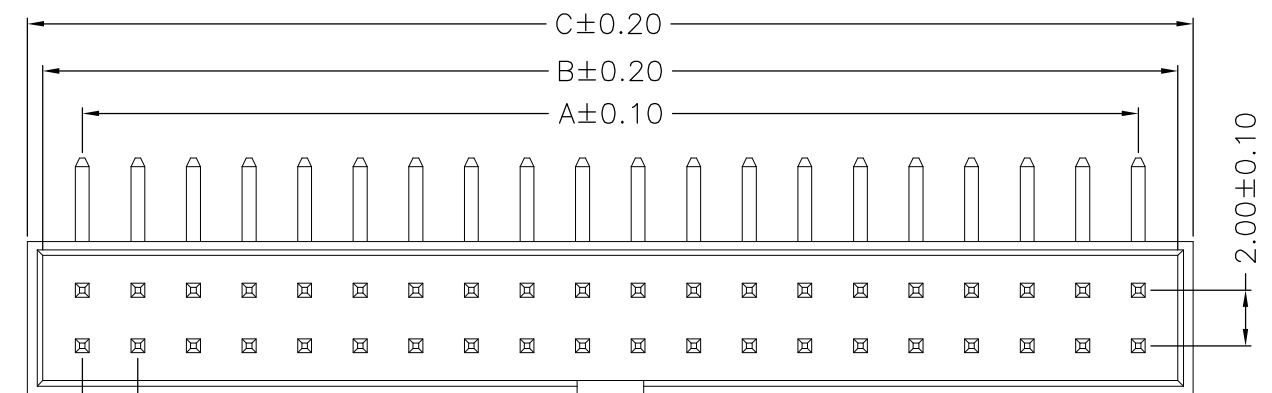
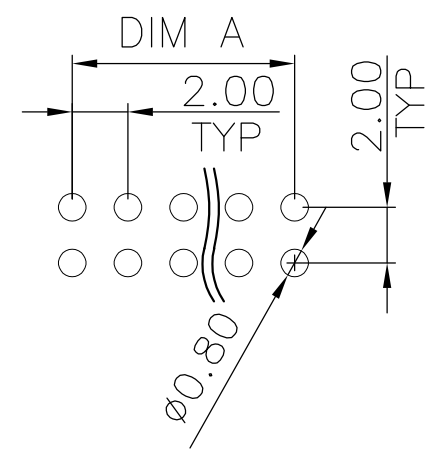


THIS DRAWING IS UNPUBLISHED
 RELEASED FOR PUBLICATION MAR , 2006.
 ALL RIGHTS RESERVED.
 © COPYRIGHT 2009 By -

| LOC | DIST | REVISIONS | | | | | |
|-----|------|-----------|-----|-------------------------------|---------|-----|------|
| | | P | LTR | DESCRIPTION | DATE | DWN | APVD |
| IR | - | B | | RELEASED AS PER ECR-09-017658 | 06AUG09 | SRE | PCH |
| | | B1 | | ECR-10-026537 | 21JAN11 | KK | HMR |



| POS. | A | B | C | PART NUMBER | |
|----------|----|-------|-------|-------------|-------------|
| OBSOLETE | 64 | 62.00 | 64.85 | 65.95 | 6-1734493-4 |
| OBSOLETE | 62 | 60.00 | 62.85 | 63.95 | 6-1734493-2 |
| OBSOLETE | 60 | 58.00 | 60.85 | 61.95 | 6-1734493-0 |
| OBSOLETE | 58 | 56.00 | 58.85 | 59.95 | 5-1734493-8 |
| OBSOLETE | 56 | 54.00 | 56.85 | 57.95 | 5-1734493-6 |
| OBSOLETE | 54 | 52.00 | 54.85 | 55.95 | 5-1734493-4 |
| OBSOLETE | 52 | 50.00 | 52.85 | 53.95 | 5-1734493-2 |
| OBSOLETE | 50 | 48.00 | 50.85 | 51.95 | 5-1734493-0 |
| OBSOLETE | 48 | 46.00 | 48.85 | 49.95 | 4-1734493-8 |
| OBSOLETE | 46 | 44.00 | 46.85 | 47.95 | 4-1734493-6 |
| OBSOLETE | 44 | 42.00 | 44.85 | 45.95 | 4-1734493-4 |
| OBSOLETE | 42 | 40.00 | 42.85 | 43.95 | 4-1734493-2 |
| OBSOLETE | 40 | 38.00 | 40.85 | 41.95 | 4-1734493-0 |
| OBSOLETE | 38 | 36.00 | 38.85 | 39.95 | 3-1734493-8 |
| OBSOLETE | 36 | 34.00 | 36.85 | 37.95 | 3-1734493-6 |
| OBSOLETE | 34 | 32.00 | 34.85 | 35.95 | 3-1734493-4 |
| OBSOLETE | 32 | 30.00 | 32.85 | 33.95 | 3-1734493-2 |
| OBSOLETE | 30 | 28.00 | 30.85 | 31.95 | 3-1734493-0 |
| OBSOLETE | 28 | 26.00 | 28.85 | 29.95 | 2-1734493-8 |
| OBSOLETE | 26 | 24.00 | 26.85 | 27.95 | 2-1734493-6 |
| OBSOLETE | 24 | 22.00 | 24.85 | 25.95 | 2-1734493-4 |
| OBSOLETE | 22 | 20.00 | 22.85 | 23.95 | 2-1734493-2 |
| OBSOLETE | 20 | 18.00 | 20.85 | 21.95 | 2-1734493-0 |
| OBSOLETE | 18 | 16.00 | 18.85 | 19.95 | 1-1734493-8 |
| OBSOLETE | 16 | 14.00 | 16.85 | 17.95 | 1-1734493-6 |
| OBSOLETE | 14 | 12.00 | 14.85 | 15.95 | 1-1734493-4 |
| OBSOLETE | 12 | 10.00 | 12.85 | 13.95 | 1-1734493-2 |
| OBSOLETE | 10 | 8.00 | 10.85 | 11.95 | 1-1734493-0 |
| OBSOLETE | 8 | 6.00 | 8.85 | 9.95 | 0-1734493-8 |
| OBSOLETE | 6 | 4.00 | 6.85 | 7.95 | 0-1734493-6 |
| OBSOLETE | 4 | 2.00 | 4.85 | 5.95 | 0-1734493-4 |



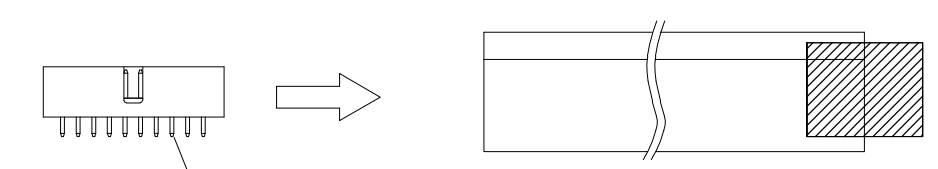
RECOMMENDED PCB LAYOUT (THICKNESS: 1.6mm)
 (TOP VIEW) (TOLERANCE: ±0.05)

- NOTE:
- 1 MATERIAL :
HOUSING : NYLON 6T, UL94V-0, BLACK COLOUR.
CONTACT : BRASS, THICKNESS=0.5mm
 - 2 FINISH:
CONTACT: 10µ" MIN. GOLD PLATED ON CONTACT AREA,
100µ" MIN. MATTE TIN PLATED ON SOLDERTAILS,
50µ" MIN. NICKEL UNDERPLATED OVERALL
 - 3. WAVE SOLDER CAPABLE TO 265°C PER TE SPEC 109-202, CONDITION B
 - 4. QUALIFICATION TEST REPORT: 501-57197

| | | | | | |
|--|--|-------------------------------|---|----------------|-------------------------|
| THIS DRAWING IS A CONTROLLED DOCUMENT. | | DWN O.HU 28-MAR-2006 | TE Connectivity AMPMODU 2.0mm PITCH, RIGHT ANGLE,DUAL ROW, THRU-HOLE | | |
| DIMENSIONS: mm | | CHK S.HOU 28-MAR-2006 | | | |
| TOLERANCES UNLESS OTHERWISE SPECIFIED: | | APVD W.J.KE 28-MAR-2006 | NAME | | |
| 0 PLC ± - 1 PLC ± 0.20 2 PLC ± 0.15 3 PLC ± 0.10 4 PLC ± - ANGLES ± - | | PRODUCT SPEC 108-57197 | RESTRICTED TO | | |
| MATERIAL | | APPLICATION SPEC | SIZE A3 | CAGE CODE - | DRAWING NO C-1734493 |
| FINISH | | WEIGHT - | SCALE 1:1 | | SHEET 1 OF 2 |
| 1 | | CUSTOMER DRAWING | | REV B1 | |

THIS DRAWING IS UNPUBLISHED
 RELEASED FOR PUBLICATION MAR , 2006.
 © COPYRIGHT 2009 By - ALL RIGHTS RESERVED.

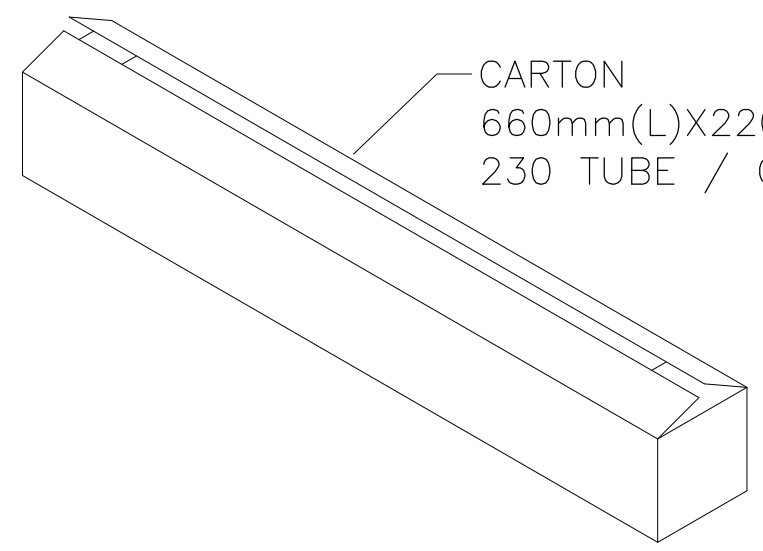
| | | | | | | | |
|-----|------|-----------|-----|-------------|------|-----|------|
| LOC | DIST | REVISIONS | | | | | |
| IR | - | P | LTR | DESCRIPTION | DATE | DWN | APVD |
| | | | - | SEE SHEET 1 | | | |



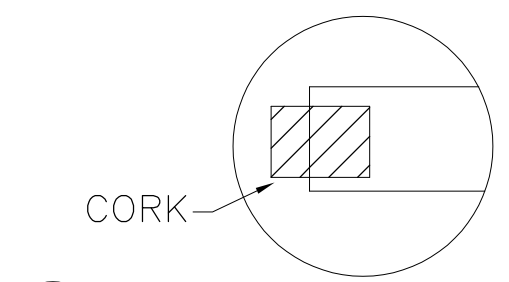
BOX HEADER



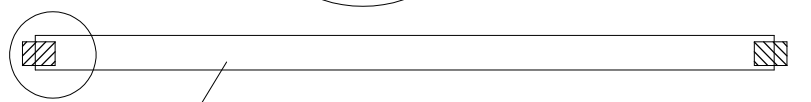
TEN PACKAGES OF ONE BUNCH



CARTON
 660mm(L)X220mm(W)X140mm(H)
 230 TUBE / CARTON



CORK



TUBE
 635mm(L)X12mm(W)X11mm(H)
 A / TUBE

| | | | | |
|----------|----------------|--------------|------|-------------|
| OBSOLETE | 2,070 | 9 | 64 | 6-1734493-4 |
| | 2,070 | 9 | 62 | 6-1734493-2 |
| OBSOLETE | 2,070 | 9 | 60 | 6-1734493-0 |
| | 2,300 | 10 | 58 | 5-1734493-8 |
| OBSOLETE | 2,300 | 10 | 56 | 5-1734493-6 |
| | 2,300 | 10 | 54 | 5-1734493-4 |
| OBSOLETE | 2,530 | 11 | 52 | 5-1734493-2 |
| | 2,530 | 11 | 50 | 5-1734493-0 |
| OBSOLETE | 2,760 | 12 | 48 | 4-1734493-8 |
| | 2,760 | 12 | 46 | 4-1734493-6 |
| OBSOLETE | 2,990 | 13 | 44 | 4-1734493-4 |
| | 2,990 | 13 | 42 | 4-1734493-2 |
| OBSOLETE | 3,220 | 14 | 40 | 4-1734493-0 |
| | 3,450 | 15 | 38 | 3-1734493-8 |
| OBSOLETE | 3,450 | 15 | 36 | 3-1734493-6 |
| | 3,680 | 16 | 34 | 3-1734493-4 |
| OBSOLETE | 3,910 | 17 | 32 | 3-1734493-2 |
| | 4,140 | 18 | 30 | 3-1734493-0 |
| OBSOLETE | 4,600 | 20 | 28 | 2-1734493-8 |
| | 4,830 | 21 | 26 | 2-1734493-6 |
| OBSOLETE | 5,290 | 23 | 24 | 2-1734493-4 |
| | 5,750 | 25 | 22 | 2-1734493-2 |
| OBSOLETE | 6,210 | 27 | 20 | 2-1734493-0 |
| | 6,900 | 30 | 18 | 1-1734493-8 |
| OBSOLETE | 7,590 | 33 | 16 | 1-1734493-6 |
| | 8,510 | 37 | 14 | 1-1734493-4 |
| OBSOLETE | 9,660 | 42 | 12 | 1-1734493-2 |
| | 11,500 | 50 | 10 | 1-1734493-0 |
| OBSOLETE | 13,800 | 60 | 8 | 0-1734493-8 |
| | 17,250 | 75 | 6 | 0-1734493-6 |
| OBSOLETE | 23,000 | 100 | 4 | 0-1734493-4 |
| | PCS/ CARTON | PCS/ TUBE | POS. | PART NUMBER |

| | | | | |
|--|-------------|------------------|-------------|--|
| THIS DRAWING IS A CONTROLLED DOCUMENT. | | DWN | 28-MAR-2006 | TE Connectivity AMPMODU 2.0mm PITCH, RIGHT ANGLE, DUAL ROW, THRU-HOLE |
| DIMENSIONS: mm | | CHK | 28-MAR-2006 | |
| TOLERANCES UNLESS OTHERWISE SPECIFIED: | | APVD | 28-MAR-2006 | |
| 0 PLC ± - 1 PLC ± 0.20 2 PLC ± 0.15 3 PLC ± 0.10 4 PLC ± - ANGLES ± - | | PRODUCT SPEC | 108-57197 | |
| MATERIAL | FINISH | APVD | W.J.KE | NAME |
| SEE SHEET 1 | SEE SHEET 1 | APPLICATION SPEC | - | AMPMODU 2.0mm PITCH, RIGHT ANGLE, DUAL ROW, THRU-HOLE |
| | | WEIGHT | - | SIZE |
| | | | | A3 |
| | | | | CAGE CODE |
| | | | | - |
| | | | | DRAWING NO |
| | | | | C-1734493 |
| | | | | RESTRICTED TO |
| | | | | - |
| | | | | SCALE |
| | | | | 1:1 |
| | | | | SHEET |
| | | | | 2 OF 2 |
| | | | | REV |
| | | | | B1 |
| | | | | CUSTOMER DRAWING |

Mouser Electronics

Authorized Distributor

Click to View Pricing, Inventory, Delivery & Lifecycle Information:

[TE Connectivity:](#)

[1-1734493-2](#)