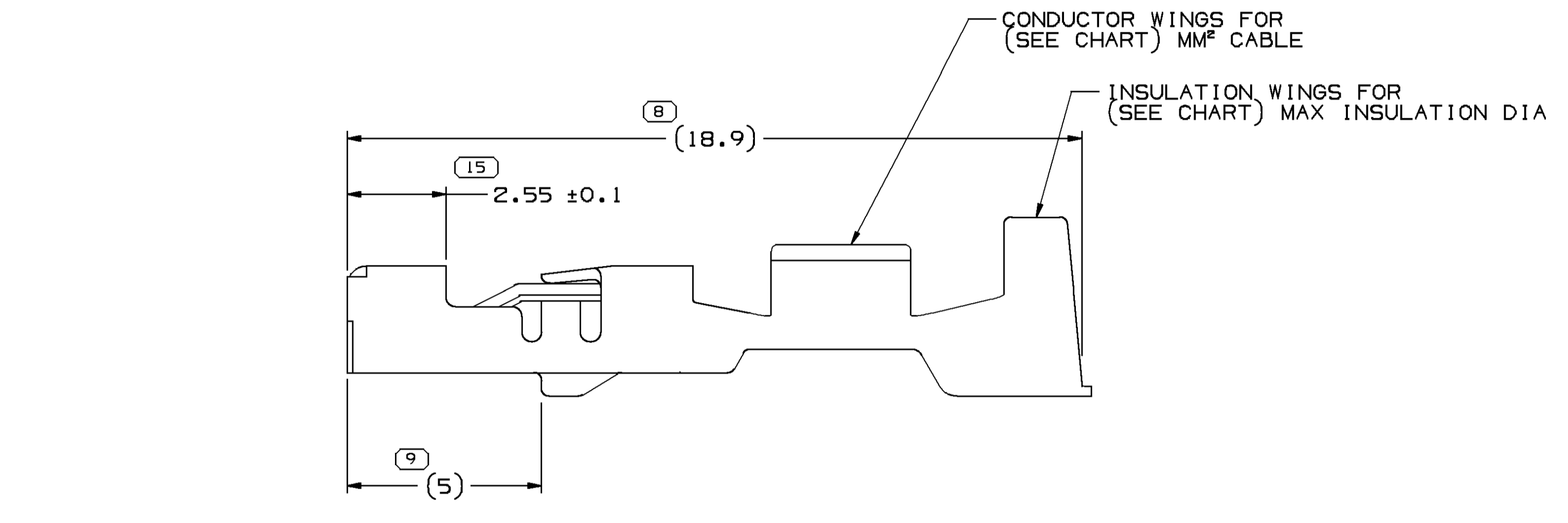
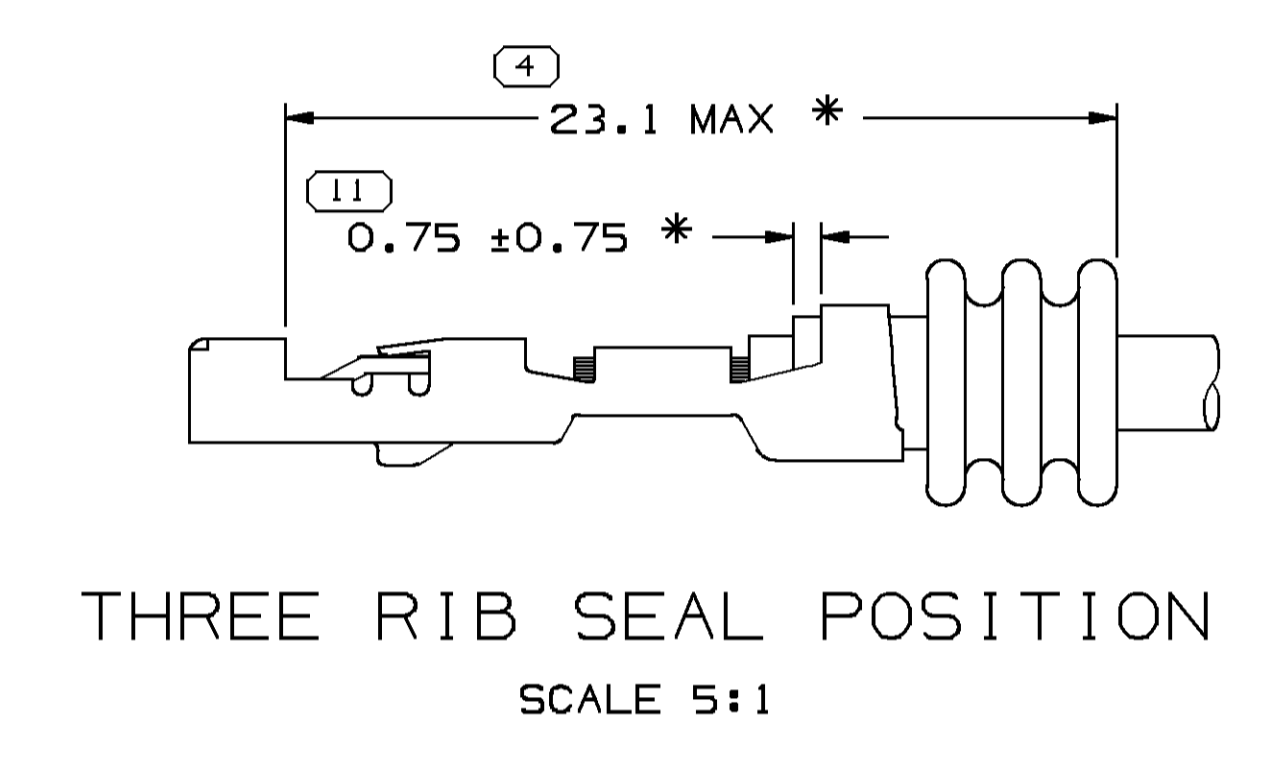
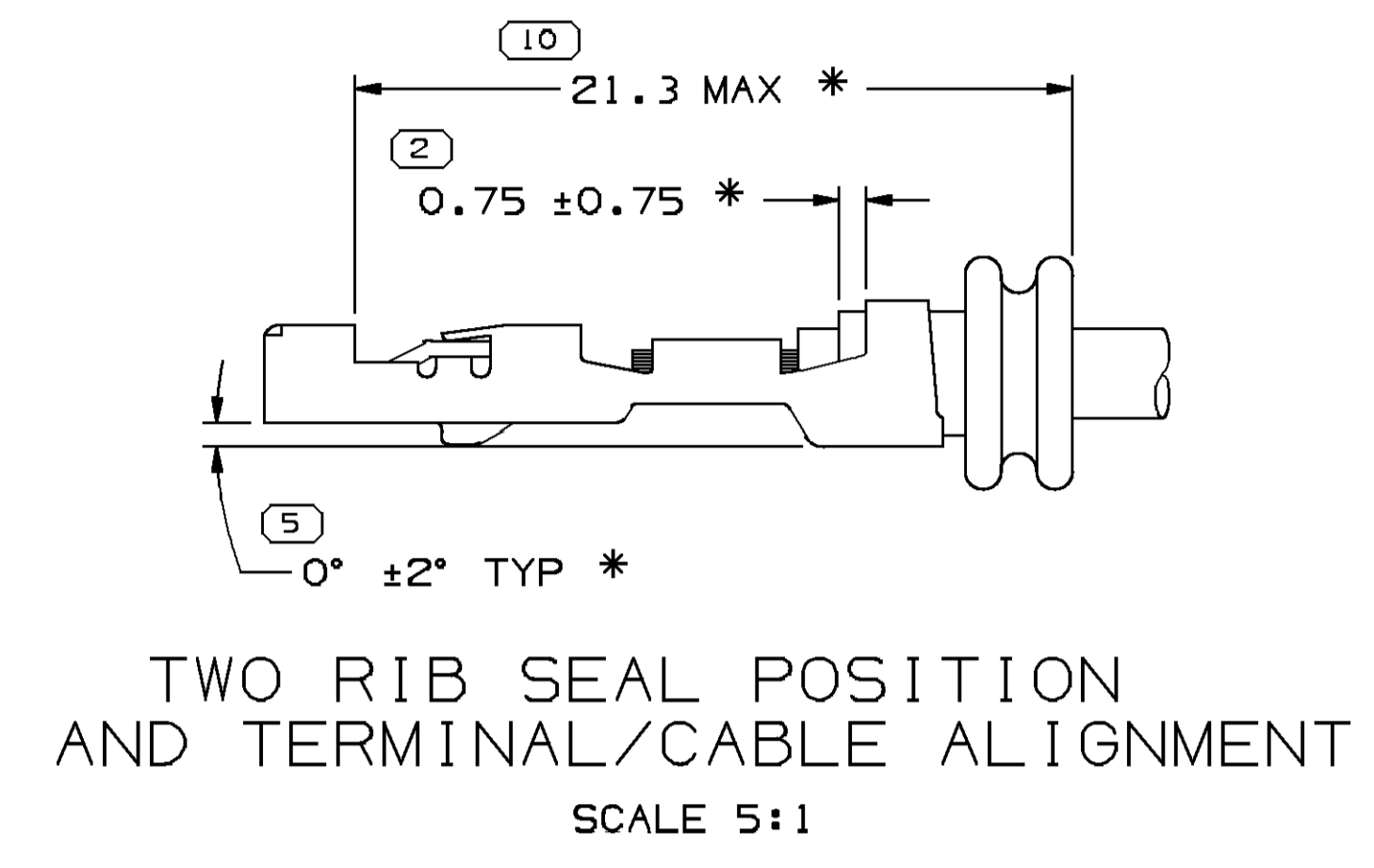
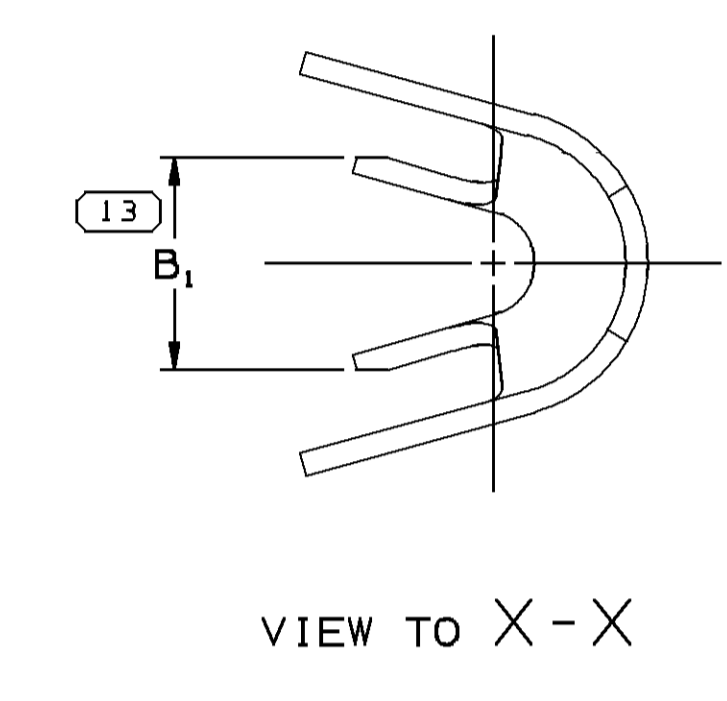
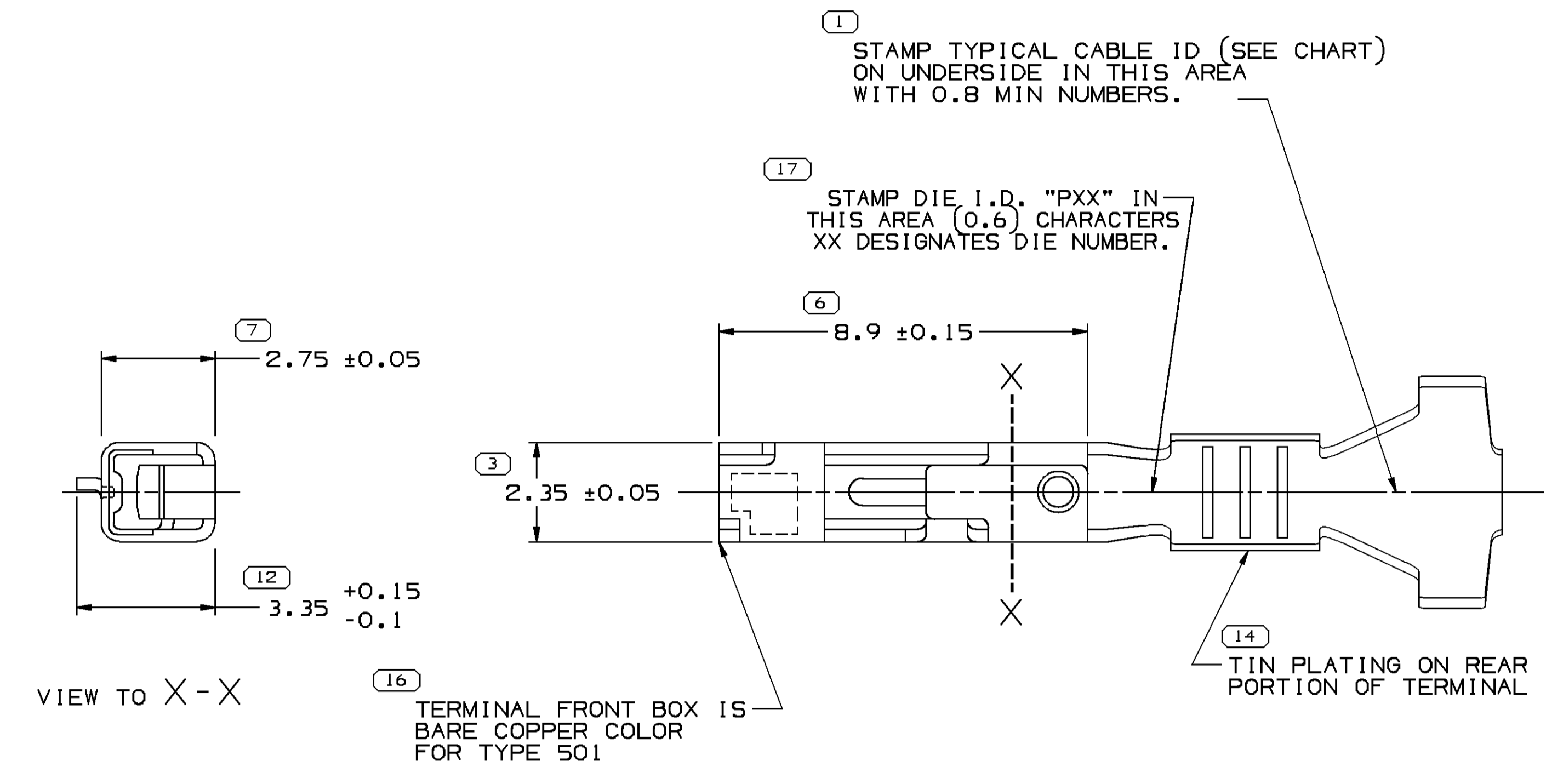


SYMBOL DEFINITION		MISSING SYMBOLS	
A DIMENSION WITHOUT AN INSPECTION REPORT SYMBOL () DOES NOT REQUIRE INSPECTION. IT MAY BE CONTROLLED ON THE INDIVIDUAL COMPONENT DRAWING.	TOTAL NO OF INSPECTIONS REQUIRED	NO MISSING SYMBOL NUMBER	
	17		
	LAST NO. USED		
	17		

DWS STATUS		ZONE		REVISION HISTORY		AUTH		DR		APVD	
DATE	STG	REV	N/P	CHG							
09JUN03	R	01	-	-	ALL PARTS - RELEASED	241567	AMB	AMB	RF		
240C03	R	02	-	-	ADDED P/N 15326426, 15326427, & 15326427 TO CHART, OBSOLETE FOR P/N 15471367, 15471368 & 15471369, UPDATED BLANK VIEW	246088	LMB	LMB	RF		
30MR04	R	03	-	-	15326426 - UPDATED PDM ATTRIBUTES	253027	MJM	MJM	LN		
16AU04	R	04	-	-	ADDED TERMINAL I.D. NOTE: REMOVED "PXX" FROM GRAPHICS	258116	TSH	TSH	RF		
11AP05	R	05	-	-	ALL ACTIVE PARTS - ADDED CABLE ID COLUMN TO CHART, ADDED NOTE #4	265764	DAD	DAD	RF		
16MY05	R	06	-	-	ALL ACTIVE PARTS - ADDED 2 COLUMNS TO CHART AND REMOVED MATING COMPONENTS NOTE : 15326426 - TYP CABLE SEAL WAS 12191226; 15326427 - TYP CABLE SEAL WAS 12191227; 15326428 - TYP CABLE SEAL WAS 12191229	268254	RH	RH	LN		
21MR06	R	07	-	-	15326428 - UPDATED PDM ATTRIBUTES	278780	JBD	AUG	EJH		
30MY06	R	08	-	-	ALL ACTIVE PARTS-UPDATED PDM ATTRIBUTES	281105	TLD	TLD	MJC		
17AU07	R	09	-	-	ALL PARTS - MAT'L SIZE COLUMN REMOVED FROM CHART ; 13660125 - RELEASED	402047	EAJ	JVM	JAV		
03DE07	R	10	-	-	13660125 - MATERIAL SPEC WAS M3666CN7	403115	RH	RH	RWR		
07OC08	R	11	-	-	13722264 & 13722266 - WAS ON SHT "1"	406319	ACG	FKV	EJB		
20OC08	R	12	-	-	13722264 & 13722266 - UPDATED MAT'L SPEC	406468	LVR	FKV	EJB		
06NO08	R	13	-	-	ALL ACTIVE PARTS - UPDATED MAT'L CALL OUT	406685	RHG	JMP	RHO		
25FE09	R	14	-	-	13722264 & 13722266 - WERE TYPE 501 AND REVISED TERMINAL FRONT BOX LABEL	407450	EPS	FKV	BER		
17NO09	R	15	-	-	13794882 AND 13794883 - RELEASED	409486	JAR	JAR	JER		
25FE10	R	16	-	-	13794882 & 13794883 - UPDATED MAT'L CALL OUT	410082	MAL	MAL	PGD		
19MR10	R	17	-	-	ALL ACTIVE PARTS - UPDATED PDM ATTRIBUTES	410249	FRE	FRE	VMR		
24MR10	R	18	-	-	ALL ACTIVE PARTS - ADDED TYP CABLE SEAL & TYP SEALING CAVITY TO CHART AND 13660125 - UPDATED MAT'L CALL OUT	410401	HRS	HRS	VMR		
16AU10	R	19	-	-	ALL ACTIVE PARTS - UPDATED MAT'L DESC. ADDED "CONTACT TYPE" COLUMN, "CRIMP TYPE" COLUMN & "PLATING TYPE" NOTE	411637	HRS	HRS	VMR		
24AU10	R	20	-	-	ALL ACTIVE PARTS - UPDATED PDM ATTRIBUTES	411755	HRS	HRS	VMR		
30SE10	R	21	-	-	ALL ACTIVE PARTS - UPDATED PLATING NOTE	412114	AJP	JVM	VMR		
23MY11	R	22	-	-	ALL ACTIVE PARTS - ADDED "MAT'L SIZE" COLUMN	414345	JAR	JAR	VMR		
15OC14	R	23	-	-	13722264, 13722266 & 13794882-83 - REVISED NOTE V ABOUT "TARNISH INFO" IN PLATING TYPE NOTE	427927	ABH	JVM	USM		



- NOTES
- UNLESS OTHERWISE SPECIFIED AND/OR INDICATED:
 - DIMENSIONS ARE TO FACE OF VIEW SHOWN AND AUTOMATICALLY ROUNDED BY COMPUTER FOR INSPECTION. (SEE MATH MODEL FOR PRECISE DIMENSIONS.) FOR ALL OTHER DIMENSIONS NOT SHOWN BUT REQUIRED FOR TOOL BUILD, SEE MATH MODEL FOR PRECISE TOOL PATH DATA.
 - MATING TERMINAL MUST HAVE A PRECIOUS METAL (GOLD OR SILVER) CONTACT INTERFACE.
 - * DENOTES DIMENSIONS MADE AT CUT-OFF AND CRIMP DIE.
 - DO NOT PROBE, TEST OR OTHERWISE CONTACT THE INTERIOR REGION (THE SPRING OR ANY MOVING PART) OF THIS TERMINAL. SEVERE DAMAGE CAN OCCUR, COMPROMISING THE PERFORMANCE OF THE ELECTRICAL INTERFACE.
 - PLATING TYPE:
 - I. MATE TIN ELECTROPLATE 1.9 - 7.0 MICROMETERS THICK WITH A NICKEL UNDERPLATE 0.13 - 0.25 MICROMETERS THICK.
 - II. REFLOW TIN 1.9 - 3.3 MICROMETER THICK WITH A COPPER UNDERPLATE 0.5 MICROMETER TO 1.0 MICROMETER THICK.
 - III. MATE TIN ELECTROPLATE 1.9 - 7.0 MICROMETERS THICK.
 - IV. 1.27 MICROMETERS DIFFUSED GOLD PALLADIUM/SILVER ALLOY INLAY OVER 1.27 MICROMETERS THICK NICKEL UNDERLAY.
 - V. SILVER 3.5 - 6.0 MICROMETERS THICK OVER 0.13 - 0.25 MICROMETERS THICK NICKEL UNDERPLATE.
- FOR TERMINALS PACKAGED & STORED IN THE APPROVED MANNER, TARNISH ON SILVER PLATED SURFACES WILL NOT AFFECT THE PERFORMANCE OF THE PART.

PLATING TYPE INFORMATION SHOWN ABOVE IS REFERENCE ONLY, PLATING REQUIREMENTS ARE CONTAINED IN APPLICABLE MATERIAL SPECIFICATION.

PART NO	REV	N/P	PREFERRED MAT'L SIZE	ALTERNATIVE MAT'L SIZE	MAT'L DESCRIPTION	SIZE (MM²)	TYPICAL CABLE AWG	ID	DIA	TYPE	B _{1±0.2}	APPLICATION	TYPICAL CABLE SEAL OR EQUIVALENT	TYPICAL SEALING CAVITY CONFIG.	CONTACT AREA PLATING TYPE (SEE NOTE 5)	CRIMP AREA PLATING TYPE (SEE NOTE 5)	
13794883	01	AH	0.3 X 26.71	0.3 X 27.38	BERYLLIUM COPPER ALLOY	0.75 - 0.8	18	2.02 - 1.7	502	2.65	SEALED (MINI)	15305351	3.2 X 4 OVAL	V		I	
13794882	01	AH	0.3 X 26.71	0.3 X 27.38	BERYLLIUM COPPER ALLOY	0.35 - 0.5	20 OR 22	21	1.85 - 1.2	502	2.1	SEALED (MINI)	15366022	3.2 X 4 OVAL	V		I
13722266	01	AK	0.3 X 26.71	0.3 X 27.38	BERYLLIUM COPPER ALLOY	0.35 - 0.5	20 OR 22	21	1.85 - 1.2	502	2.1	SEALED (GT)	15366021	Ø 4 ROUND	V		I
13722264	01	AK	0.3 X 26.71	0.3 X 27.38	BERYLLIUM COPPER ALLOY	0.75 - 1	16 OR 18	17	2.25 - 1.7	502	2.65	SEALED (GT)	15366060	Ø 4 ROUND	V		I
13660125	01	AH	0.3 X 26.71	0.3 X 27.38	BERYLLIUM COPPER ALLOY	0.75 - 0.8	18	2.02 - 1.7	501	2.65	SEALED (MINI)	15305351	3.2 X 4 OVAL	IV		III	
15326428	04	AL	0.3 X 26.71	0.3 X 27.38	BERYLLIUM COPPER ALLOY	0.35 - 0.5	20 OR 22	21	1.85 - 1.2	501	2.1	SEALED (MINI)	15366022	3.2 X 4 OVAL	IV		III
15326427	04	AK	0.3 X 26.71	0.3 X 27.38	BERYLLIUM COPPER ALLOY	0.75 - 1	16 OR 18	17	2.25 - 1.7	501	2.65	SEALED (GT)	15366060	Ø 4 ROUND	IV		III
15326426	04	AL	0.3 X 26.71	0.3 X 27.38	BERYLLIUM COPPER ALLOY	0.35 - 0.5	20 OR 22	21	1.85 - 1.2	501	2.1	SEALED (GT)	15366021	Ø 4 ROUND	IV		III
15471368	01	-	0.3 X 26.71	0.3 X 27.38	BERYLLIUM COPPER ALLOY	0.75 - 1	16 OR 18	17	2.25 - 1.7	501	2.65	SEALED (GT)	12191227	Ø 4 ROUND	-		-
15471367	01	-	0.3 X 26.71	0.3 X 27.38	BERYLLIUM COPPER ALLOY	0.35 - 0.5	20 OR 22	21	1.85 - 1.2	501	2.1	SEALED (GT)	12191226	Ø 4 ROUND	-		-
15471370	02	AK	0.3 X 26.71	0.3 X 27.38	BERYLLIUM COPPER ALLOY	0.75 - 0.8	18	2.02 - 1.7	501	2.65	SEALED (MINI)	15305351	3.2 X 4 OVAL	IV		III	
15471369	01	-	0.3 X 26.71	0.3 X 27.38	BERYLLIUM COPPER ALLOY	0.35 - 0.5	20 OR 22	21	1.85 - 1.2	501	2.1	SEALED (MINI)	12191229	3.2 X 4 OVAL	-		-

LINE DRAWN THROUGH PART NUMBER INDICATES THAT PHYSICAL PARTS ARE NOT AVAILABLE FOR ORDERING.

PART NUMBERS THAT DO NOT HAVE A LINE PRESENT INDICATE THAT PHYSICAL PARTS ARE AVAILABLE FOR ORDERING.

CONTACT DELPHI SALES TO ASSURE AVAILABILITY OF PARTS.

DWG TYPE: PART DRAWING

UNLESS OTHERWISE SPECIFIED THIS DOCUMENT IS IN ACCORDANCE WITH ASME Y14.5M-1994 AS MODIFIED BY THE DELPHI DIMENSIONING AND TOLERANCING ADDENDUM-2001. SEPARATE PATTERNS OF FEATURES MAY BE DIMED SEPARATELY. RESPONSIBILITY OF DATUM REFERENCES.

ALL DIMENSIONS ARE IN MILLIMETERS

REFERENCE:

PROCESS SENSITIVE DIMENSION

DIMENSIONS ENCLOSED IN () INDICATE REFERENCE DIMENSIONS AND NO TOLERANCE LIMITS ARE ESTABLISHED

DIMENSIONAL RANGE (MM) CHART CD FROM TO TOLERANCE UNLESS OTHERWISE SPECIFIED

0 TO 12 ±0.13

12 TO 25 ±0.13

25 TO 50 ±0.13

50 TO 100 ±0.13

100 TO 150 ±0.13

150 TO 200 ±0.13

200 TO 300 ±0.13

300 TO 500 ±0.13

500 TO 1000 ±0.13

ANGULAR TOLERANCE ±2°

THIRD ANGLE PROJECTION

DO NOT SCALE

USE MATH DATA

DELPHI
DELPHI PACKARD ELECTRICAL/ELECTRONIC ARCHITECTURE

WARREN, OH
COPYRIGHT 2003 DELPHI CORPORATION AND/OR ITS AFFILIATES. ALL RIGHTS RESERVED.
THIS DRAWING IS THE PROPERTY OF DELPHI CORPORATION AND CONTAINS DELPHI CONFIDENTIAL INFORMATION. THE REPRODUCTION, DISTRIBUTION AND UTILIZATION OF THIS DOCUMENT OR ITS CONTENTS OR DATA, AS WELL AS COMMUNICATION OF ANY CONTENT TO OTHERS, WITHOUT EXPRESS AUTHORIZATION, IS PROHIBITED.

DATE: 10JUN03

OR: ANDRES MENDEZ

APV02: ANDRES MENDEZ

APV03: RICK FETCENKO

APV04:

APV05:

SUBSTANCES OF CONCERN AND RECYCLED CONTENT, PER DELPHI 1044901

MATERIAL SEE CHART

DRAWING NAME: TAXI TERM F 0T 150

DRAWING NUMBER: 12191815

SIZE: A0

SCALE: 10:1

FRAME NO: 1 OF 1

SHEET NO: 5 OF 5

STG: R

REV: 23

N/P:

Mouser Electronics

Authorized Distributor

Click to View Pricing, Inventory, Delivery & Lifecycle Information:

[Aptiv:](#)

[15326426-L](#) [15326427-L](#) [15471370-L](#)