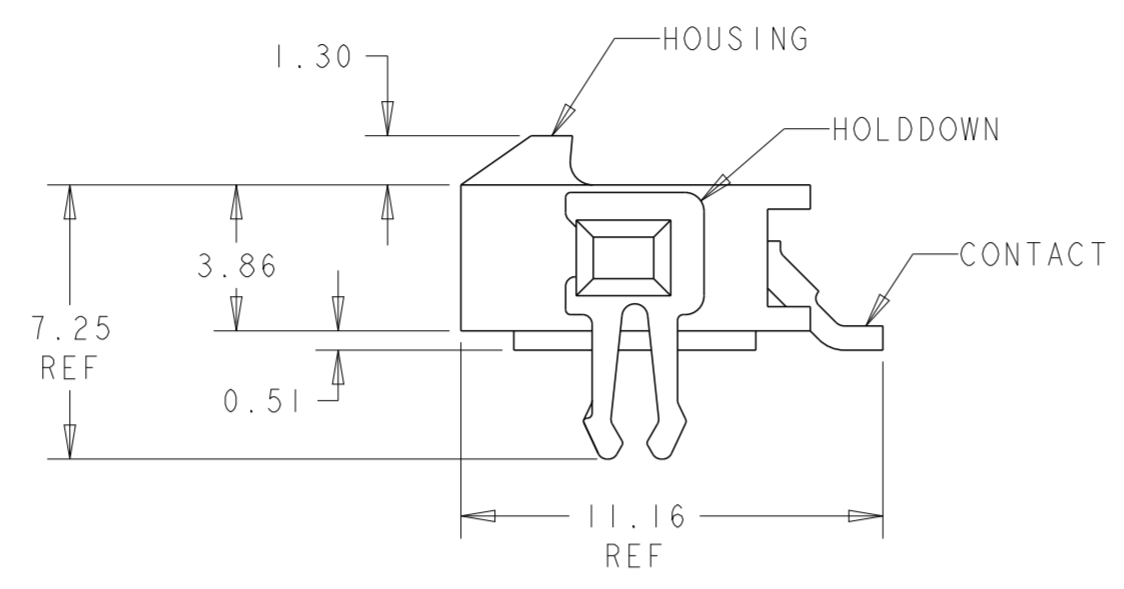
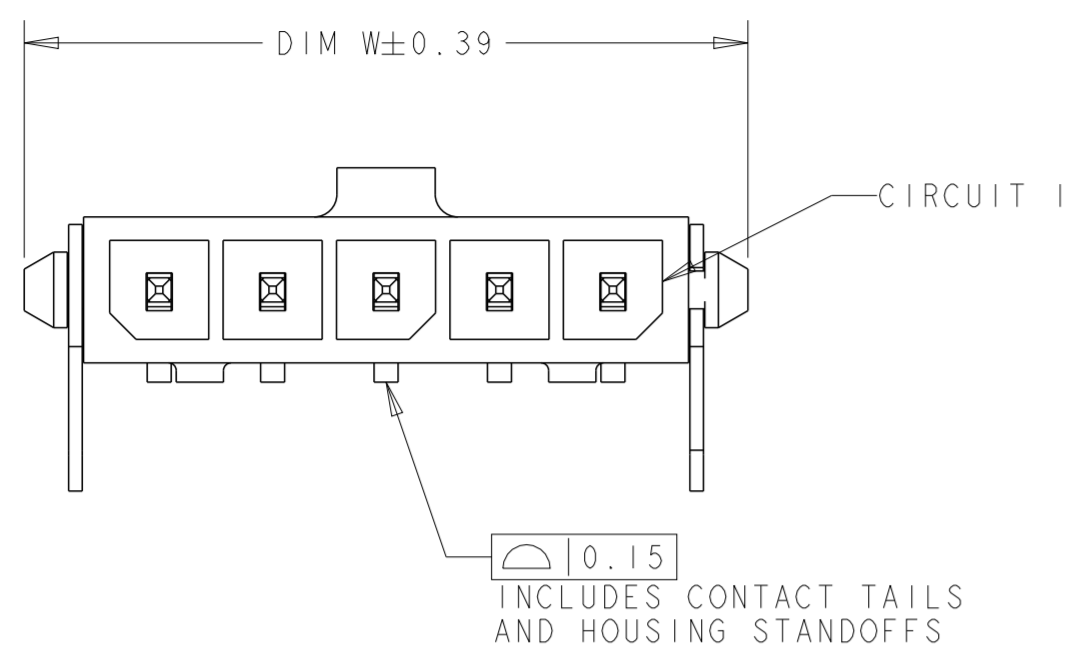
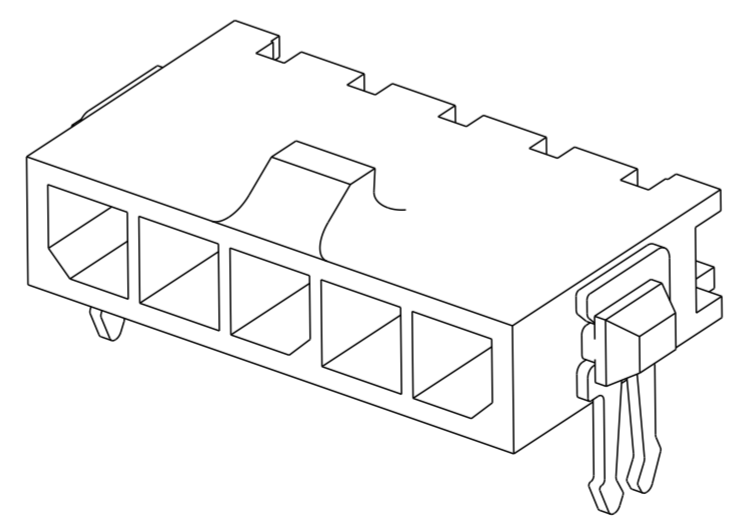
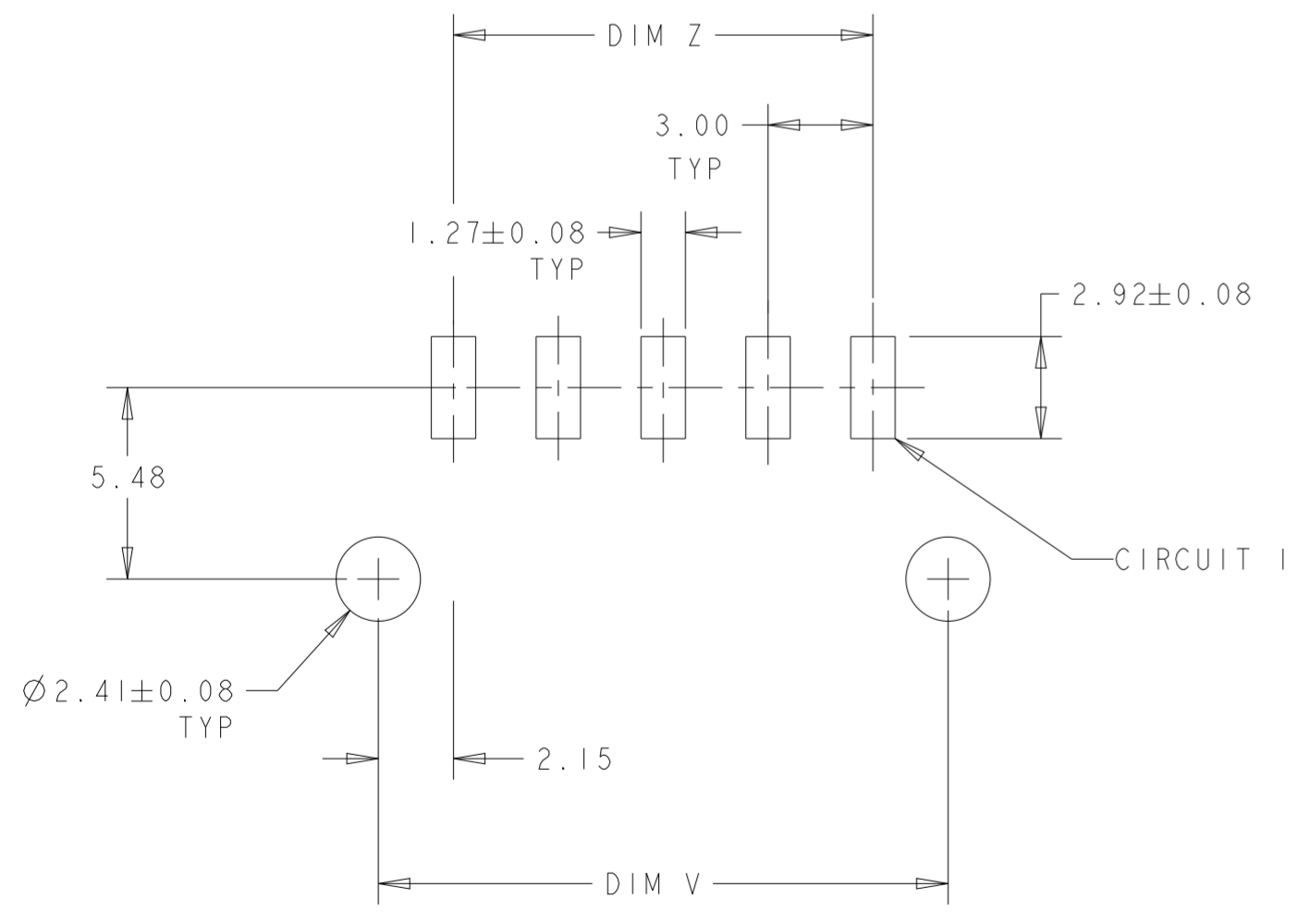
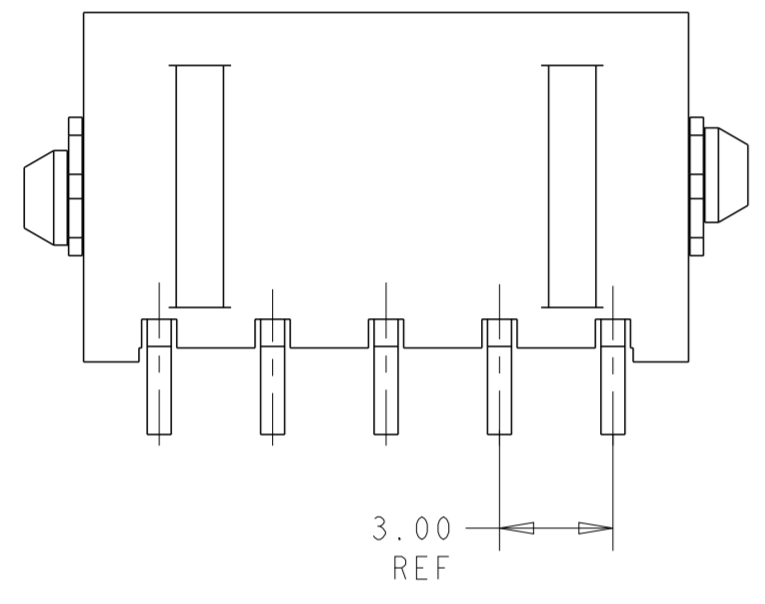


THIS DRAWING IS UNPUBLISHED. RELEASED FOR PUBLICATION
 © COPYRIGHT copyright.d8Te- ALL RIGHTS RESERVED.

REVISIONS					
P	LTR	DESCRIPTION	DATE	DWN	APVD
	B1	REVISED PER ECR-16-011494	20JUN2017	NK	CX



- 1 MATERIAL: CONTACTS - BRASS
HOUSING - UL 94V-0 RATED HIGH TEMP NYLON, COLOR BLACK.
HOLDDOWNS: - PHOSPHOR BRONZE.
- 2 PLATING: CONTACTS - 0.38µm MINIMUM GOLD ON MATING END,
2.54µm MINIMUM TIN LEAD ON SOLDER TAILS, BOTH OVER
1.27µm MINIMUM NICKEL.
HOLDDOWNS: 2.54µm MINIMUM TIN-LEAD OVER 1.27µm MINIMUM NICKEL.
- 4 RECOMMENDED PC BOARD THICKNESS OF 1.57.
- 5 PLATING: CONTACTS - 0.38µm MINIMUM GOLD ON MATING END,
2.54µm MINIMUM MATTE TIN ON SOLDER TAILS, BOTH OVER
1.27µm MINIMUM NICKEL.
HOLDDOWNS: 2.54µm MINIMUM MATTE TIN OVER 1.27µm MINIMUM NICKEL.



5	33.00	37.43	40.00	12	3-1445090-2
5	30.00	34.43	37.00	11	3-1445090-1
5	27.00	31.43	34.00	10	3-1445090-0
5	24.00	28.43	31.00	9	2-1445090-9
5	21.00	25.43	28.00	8	2-1445090-8
5	18.00	22.43	25.00	7	2-1445090-7
5	15.00	19.43	22.00	6	2-1445090-6
5	12.00	16.43	19.00	5	2-1445090-5
5	9.00	13.43	16.00	4	2-1445090-4
5	6.00	10.43	13.00	3	2-1445090-3
5	3.00	7.43	10.00	2	2-1445090-2
2	33.00	37.43	40.00	12	3-1445090-2
2	30.00	34.43	37.00	11	3-1445090-1
2	27.00	31.43	34.00	10	3-1445090-0
2	24.00	28.43	31.00	9	2-1445090-9
2	21.00	25.43	28.00	8	2-1445090-8
2	18.00	22.43	25.00	7	2-1445090-7
2	15.00	19.43	22.00	6	2-1445090-6
2	12.00	16.43	19.00	5	2-1445090-5
2	9.00	13.43	16.00	4	2-1445090-4
2	6.00	10.43	13.00	3	2-1445090-3
2	3.00	7.43	10.00	2	2-1445090-2
FINISH	DIM Z	DIM V	DIM W	NO. OF POSN	PART NUMBER

PCB LAYOUT COMPONENT SIDE 4

THIS DRAWING IS A CONTROLLED DOCUMENT. DWN J.ROOT 09OCT2000
 CHK K.WHITAKER 17-APR-2001
 APVD C.JONES 17-APR-2001

STE TE Connectivity

NAME: RIGHT ANGLE SURF MOUNT HEADER ASSY, 0.38 MIC GOLD CONTACTS, W/THRU HOLE, HOLDDOWNS, SGL ROW, MICRO MATE-N-LOK™

SIZE: A2 CAGE CODE: 00779 DRAWING NO: C-1445090 RESTRICTED TO: -

MATERIAL: SEE TABLE

WEIGHT: -

CUSTOMER DRAWING SCALE: 5:1 SHEET: 1 OF 1 REV: B1

Mouser Electronics

Authorized Distributor

Click to View Pricing, Inventory, Delivery & Lifecycle Information:

[TE Connectivity:](#)

[1445090-7](#)