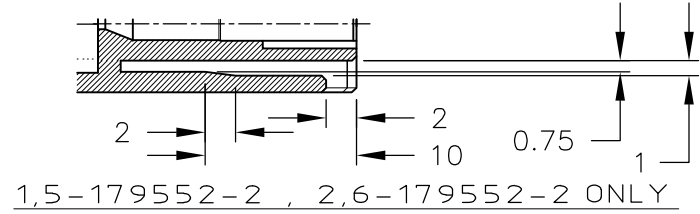
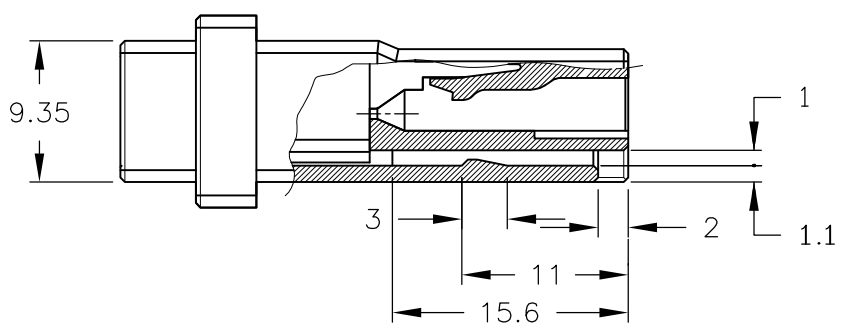
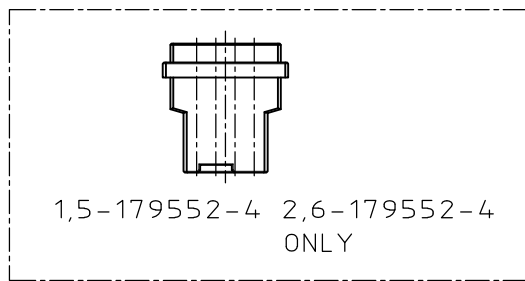
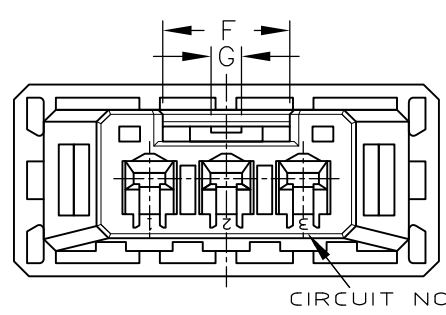
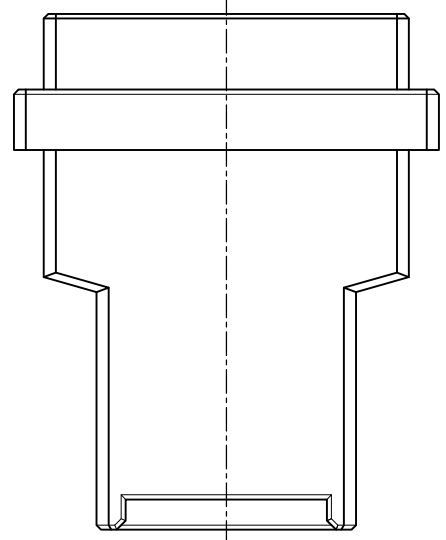
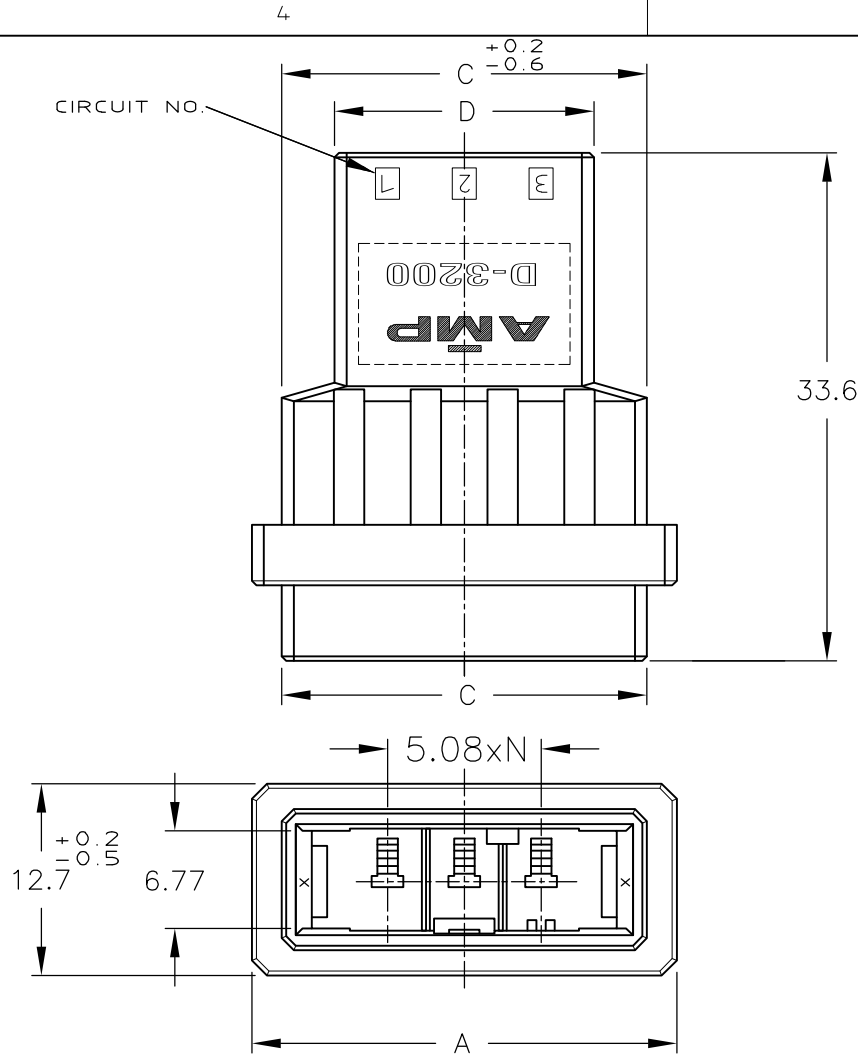


NUMBER 179552
METRIC

DIMENSIONS IN MM. DO NOT SCALE PRINT

PRINT DIST



NOTES
1 MATERIAL: GLASS FIELD THERMO PLASTIC, POLYESTER
COLOR: BLACK
~~2 TO COAT ALL SURFACE OF HOUSING WITH TEFLON~~

FINISH	KEYING PATTERN	POS.	DIMENSION	A	-	C	D	-	F	G	N	KEY	PART NUMBER
OBSOLETE				4	33.19	29.24	22.24		8.4	2	3	Y	6-179552-4
OBSOLETE				4	33.19	29.24	22.24		8.4	2	3	X	5-179552-4
-				4	33.19	29.24	22.24		8.4	2	3	Y	2-179552-4
-				4	33.19	29.24	22.24		8.4	2	3	X	1-179552-4
OBSOLETE				3	28.11	24.16	17.16		8.4	2	2	Y	6-179552-3
OBSOLETE				3	28.11	24.16	17.16		8.4	2	2	X	5-179552-3
-				3	28.11	24.16	17.16		8.4	2	2	Y	2-179552-3
-				3	28.11	24.16	17.16		8.4	2	2	X	1-179552-3
OBSOLETE				2	23.03	19.08	12.08		8.4	2	1	Y	6-179552-2
OBSOLETE				2	23.03	19.08	12.08		8.4	2	1	X	5-179552-2
-				2	23.03	19.08	12.08		8.4	2	1	Y	2-179552-2
-				2	23.03	19.08	12.08		8.4	2	1	X	1-179552-2

				TE TE Connectivity	
(WIRE RANGE)		(INSULATION DIA.)		(NAME)	
- mm (AWG -)		- mmφ		D3200S WIRE TO WIRE TAB HSG FOR DYNAMIC D-3200S FREE HANGING TYPE	
(MATERIAL)		(FINISH)		(No.)	
SEE NOTES				C-179552	
(GENERAL TOLERANCE)		SIZE	LOC		
≤10 : ±0.2		A3	J		
10 ≤30 : ±0.25		(SCALE)		REV.	SHEET
30 ≤100 : ±0.3		2/1		F	1 OF 1
ANGLE : ±3°					
DR.	31 JAN 94	DE.	31 JAN 94		
N. Matsubara		N. Matsubara			
CHK.	1 FEB 94	APP.	1 FEB 94		
S. MANABE		S. MANABE			

Mouser Electronics

Authorized Distributor

Click to View Pricing, Inventory, Delivery & Lifecycle Information:

[TE Connectivity:](#)

[1-179552-4](#)