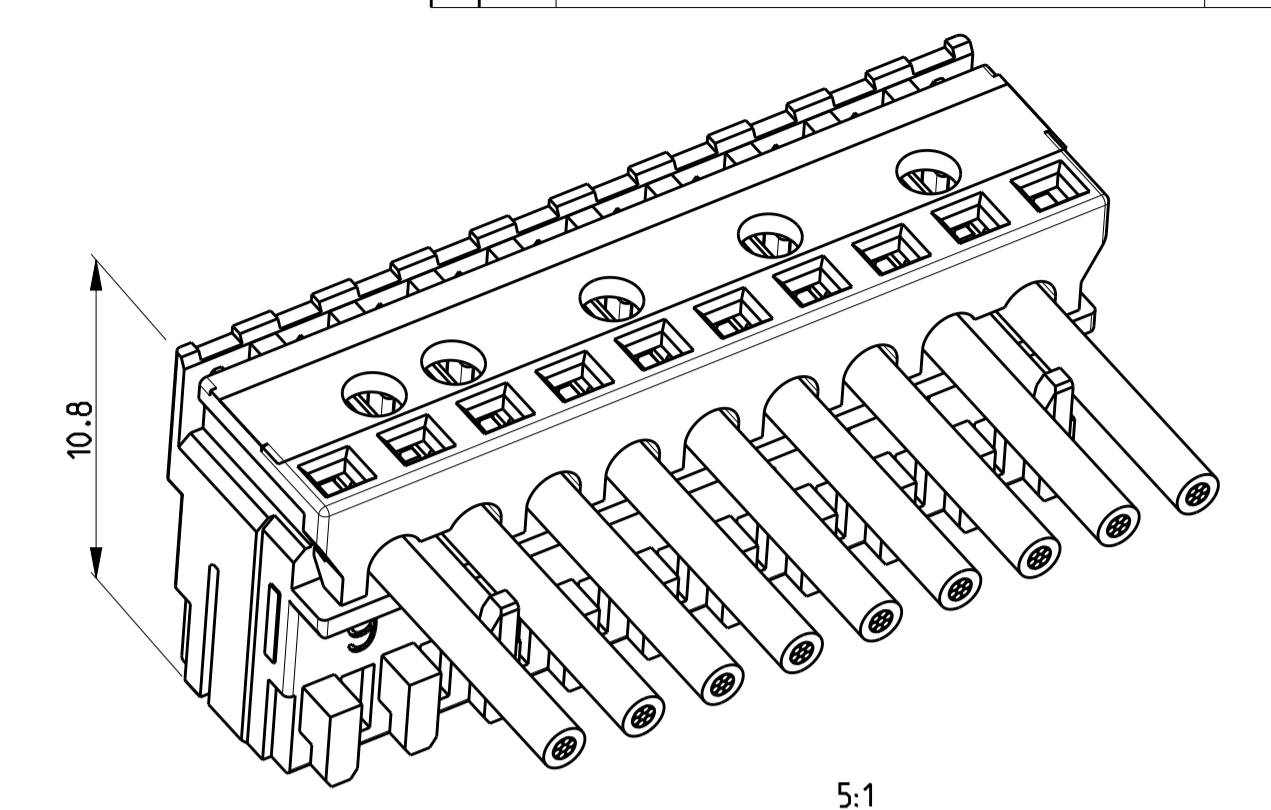
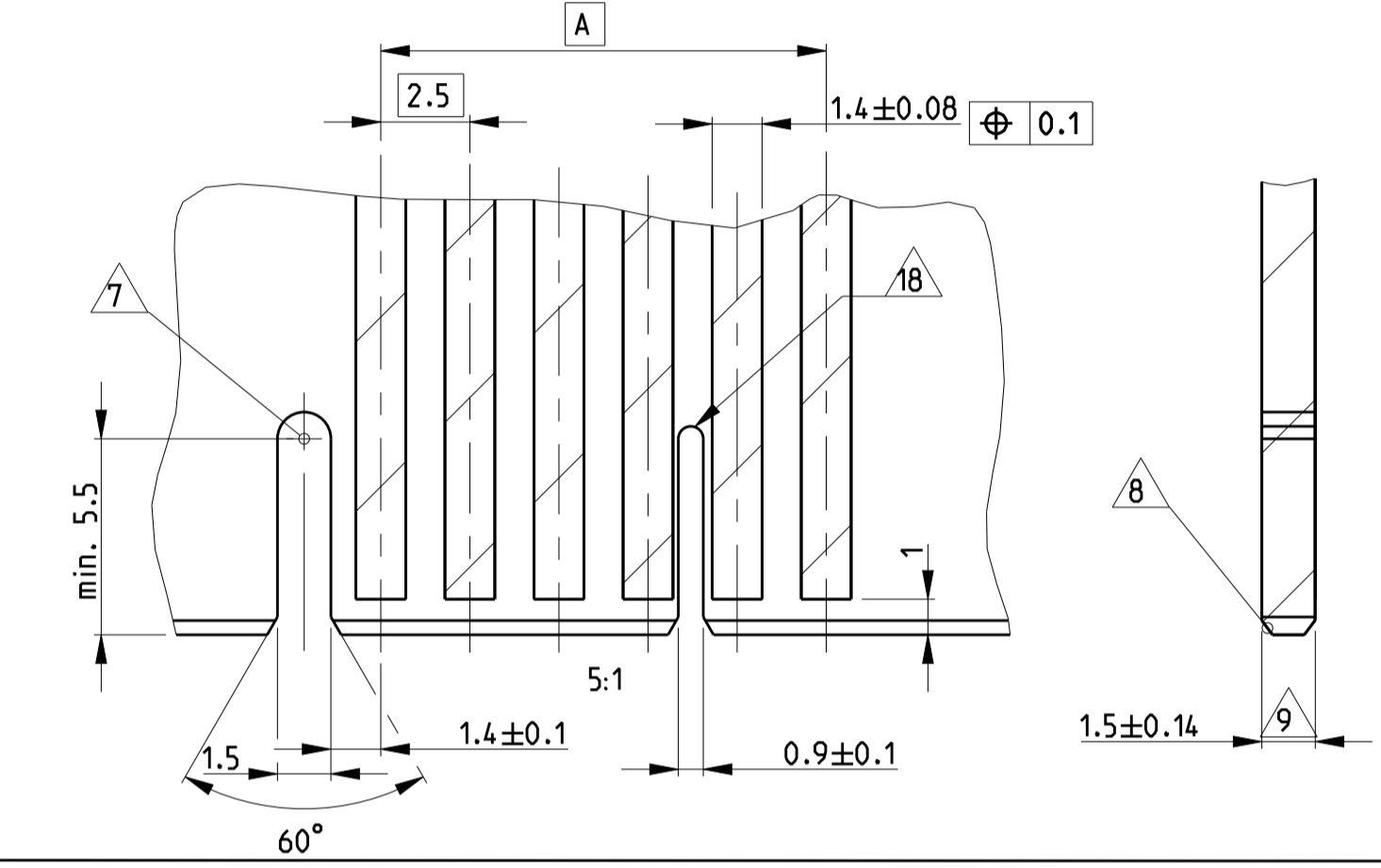


- 27 DIMENSION AVAILABE FOR PART X-2304525-X, X-2304526-X.
- 26 WITH SPECIAL CHAIN FEATURE
- 25 SIDE KEYING ON LAST CAVITY THICKNESS=1.5mm
- 24 SIDE KEYING ON CAVITY 1 THICKNESS=1.5mm
- 19 COLOR MARKING IN THIS AREA, NOT THE COLOR OF HOUSING. COLOR SEE COLOR CODE IN TABLE.
- 18 SLOT, THICK, BETWEEN CAVITIES
- 17 KEYING, THICK, BETWEEN POSITION
- 16 SLOT, SLIM, FOR SIDE KEYING, LAST CAVITY Schlitz,duenn, an letzte Kammer
- 15 SLOT, SLIM, FOR SIDE KEYING, SIDE CAVITY 1 Schlitz,duenn, fuer Seitenkodierung
- 14 SIDE KEYING, SLIM, ON LAST CAVITY Seitenkodierung, duenn, an letzte Kammer
- 13 SIDE KEYING, SLIM, ON CAVITY 1 Seitenkodierung, duenn, an Kammer 1
- 12 KEYING SLIM BETWEEN POSITIONS
- 11 PRELIMINARY PART NOT RELEASED FOR PRODUCTION
- 10 TE LOGO
- 9 INCLUSIVE COPPER LOADING Inklusive Kupferkaschierung
- 8 PCB PREFERABLY CHAMFERED Leiterplatte vorzugsweise angefast
- 7 SLOT, THICK, FOR SIDE KEYING Schlitz,dick, fuer Seitenkodierung
- 6 SIDE KEYING, THICK, ON LAST CAVITY Seitenkodierung, dick, an letzte Kammer
- 5 WIRE RANG: 0.22-0.35mm² SEE APPLICATION SPEC. 114-18467 Drahtgroessenbereich: 0.22-0.35mm² siehe Verarbeitungsspec. 114-18467
- 4 IEC 60695-2-11 / IEC 60335-1 GLOW WIRE TEST 750 °C WITHOUT FLAME IEC 60695-2-11 / IEC 60335-1 Gluehdrahttest 750 °C ohne Flamme
- 3 X..CAVITY LOADED WITH CONTACT O..CAVITY WITHOUT CONTACT X..Kammer mit Kontakt bestueckt O..Kammer ohne Kontakt
- 2 MATING PART: PCB (WITH FRAMES ACC. RAST 2.5 E.G. PN 964 575/576 TABHEADER PN 829 866/867 Passender Gegenstecker: Leiterplatten (mit Rahmen nach RAST 2.5 z.B. 964 575/576) Tabwannen Nr. 829 866/867
- 1 KEYING RIBS: CUTTING WITH TERMINATION MACHINE POSSIBLE Kodierrippe; Schneiden auf der Verarbeitungsmaschine moeglich

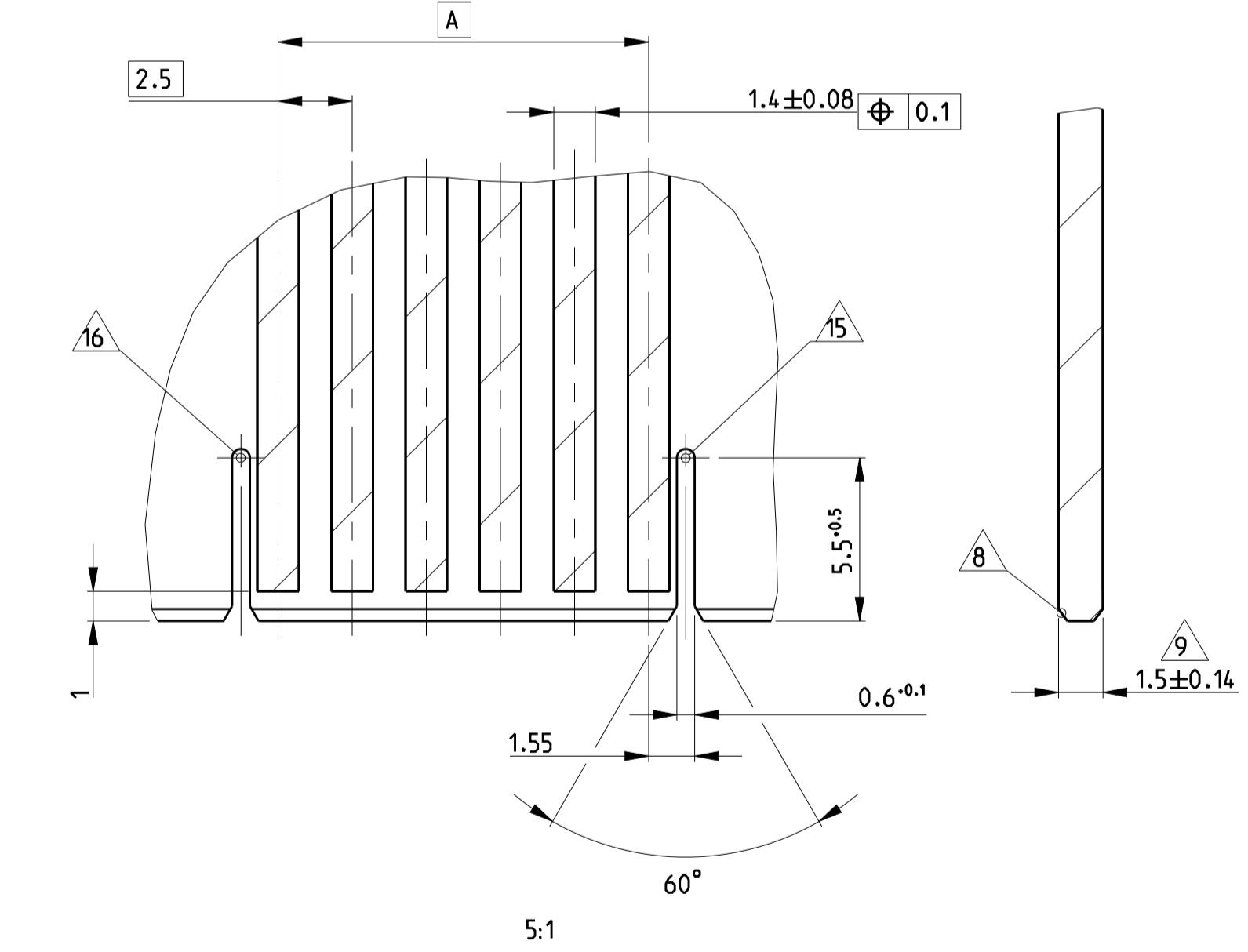
LOC	DIST	REVISIONS				
A1	-	PLTR	DESCRIPTION	DATE	DWN	APVD
		D41	ECR-19-006803	07MAY2019	LZ	FL



PCB LAYOUT KEYED / CONNECTED ONLY WITH ADDITIONAL FRAME (THICK KEYING)
Leiterplattenanschluss kodiert / nur in Verbindung mit zusaetzlichem Rahmen



PCB LAYOUT KEYED / CONNECTED ONLY WITH ADDITIONAL FRAME (SLIM KEYING)
Leiterplattenanschluss kodiert / nur in Verbindung mit zusaetzlichem Rahmen



OTHER NOTE SEE SHEET 3 OF 3.

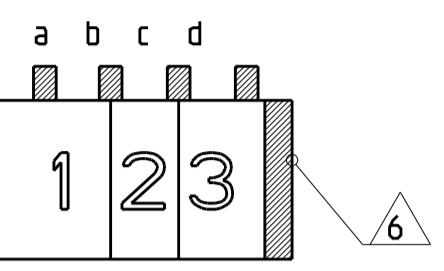
THIS DRAWING IS A CONTROLLED DOCUMENT.		DWN H. Karabiyik 24MAY2002	TE Connectivity	
DIMENSIONS: mm		CHE B. Schnaubel 24MAY2002	NAME AMP DUOPLUG 2.5 MARK II FEMALE CONNECTOR 3-20 POSITION SELECTIVE LOADED	
TOLERANCES UNLESS OTHERWISE SPECIFIED:		APVD T. Klenner 24MAY2002	SIZE 108-18785	
0 PLC ±0.2		PRODUCT SPEC	DRAWING NO 114-18467	
1 PLC ±0.2		APPLICATION SPEC	WEIGHT	
2 PLC ±0.2		FINISH	SCALE 10:1	
3 PLC ±0.2		RESTRICTED TO	SHEET 1 of 3	
4 PLC ±0.2		Customer Drawing	PART NO 00779	
ANGLES		DRAWING NO 1534798		REV 041

POS.	PN Bestell-Nr.	DESCRIPTION Beschreibung	MATERIAL	COLOUR/FINISH Farbe/Oberflaeche
2	SEE TABLE	CONTACT/Kontakt	CuSn	TINNED/verzinkt
1	siehe Tabelle	HOUSING/Federleistengenh.	HIGH TEMP PLASTIC	NATUR/Natur

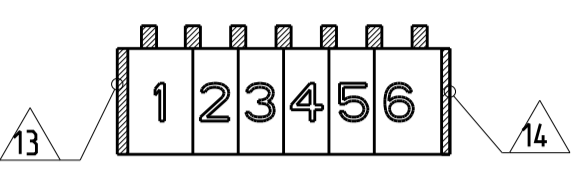
LOC	DIST	REVISIONS			
A1	-	NO	DATE	BY	APPV
		SEE SHEET 1			

KEYING PLAN
 Kodierschema

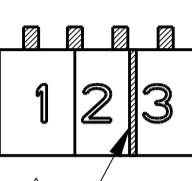
4-1534798-3



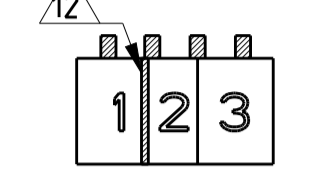
2-1534798-6



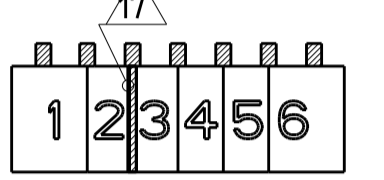
2-1534798-3



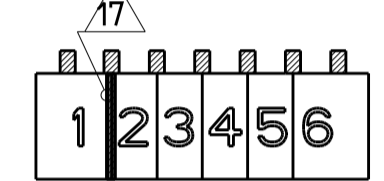
9-1534798-3



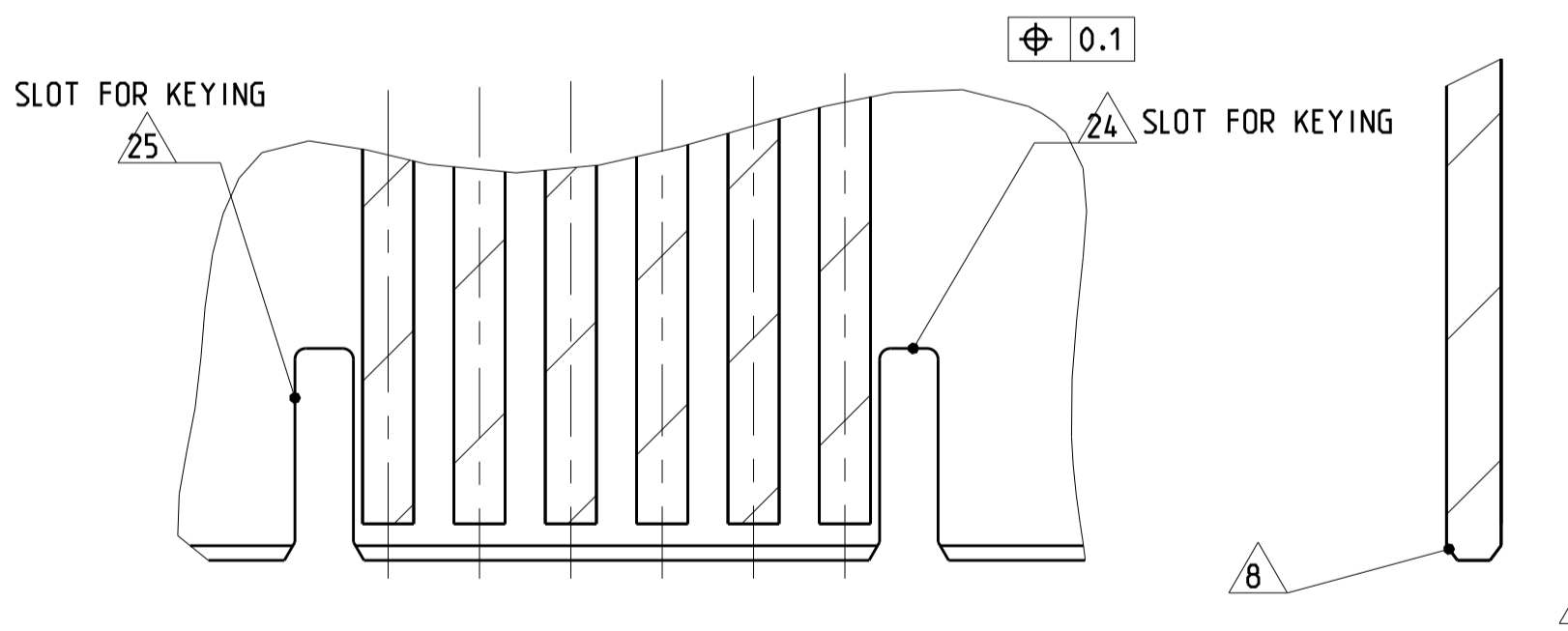
9-1534798-6



1-1534798-6



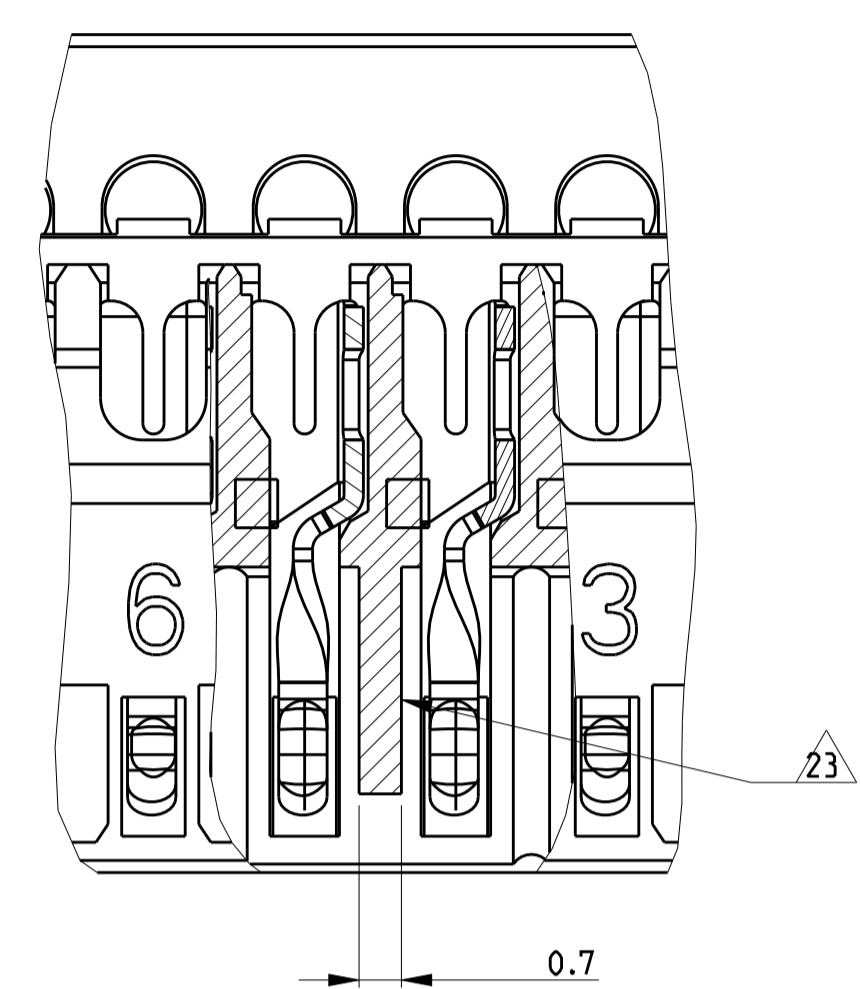
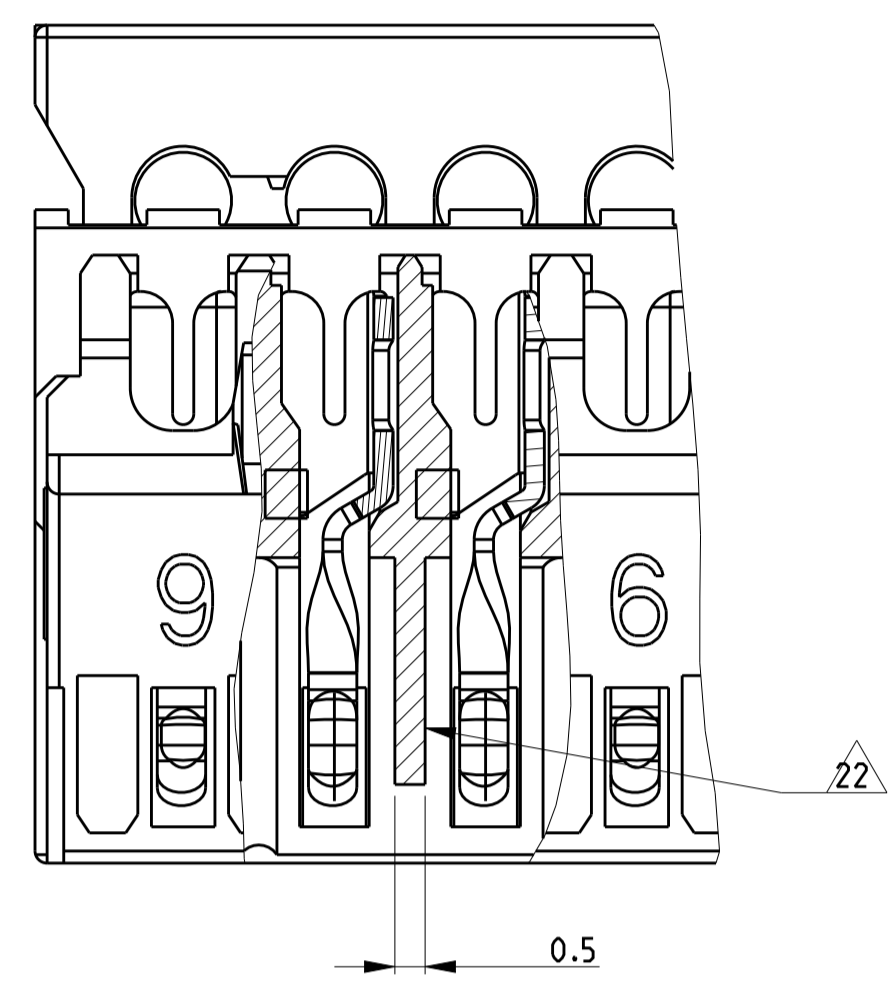
PCB LAYOUT KEYED / CONNECTED ONLY WITH ADDITIONAL FRAME (KEYING THICKNESS-1.5mm)



5:1

Color	20	19	18	17	16	15	14	13	12	11	10	9	8	7	6	5	4	3	2	1	POS. Polzahl	DIM A	DIM B	25	24	17	12	14	13	6	PN Bestell-Nr.
		X	0	X	0	X	0	X	0	X	0	X	0	X	0	X	0	X	0	X	0	19	45	49.9							1-1534799-9
			X	0	X	0	X	0	X	0	X	0	X	0	X	0	X	0	X	0	X	17	40	44.9		8/9				1534799-7 11	
				X	0	X	0	X	0	X	0	X	0	X	0	X	0	X	0	X	0	15	35	39.9						1-1534799-5	
					X	X	0	0	0	X	X	X	X	X	X	X	X	X	X	X	13	30	34.9						4-1534799-3 11		
					X	0	X	0	X	0	X	0	X	0	X	0	X	0	X	0	X	12	27.5	32.4						1-1534799-2 11	
					X	X	X	X	0	X	0	X	0	X	0	X	0	X	0	X	12	27.5	32.4		8/9				2-1534799-2 11		
Black					X	0	X	0	0	0	X	0	X	0	X	0	X	0	X	0	11	25	29.9							5-1534799-1	
					X	0	X	X	X	X	X	X	X	X	X	X	X	X	X	X	11	25	29.9							4-1534799-1	
					X	0	X	0	X	0	X	0	X	0	X	0	X	0	X	0	11	25	29.9							3-1534799-1	
					X	0	X	0	X	0	0	0	0	X	X	X					11	25	29.9							2-1534799-1	
					X	0	X	0	X	0	X	0	0	X	X	X					10	22.5	27.4							5-1534798-0	
					X	0	X	X	0	X	0	X	0	X	0	X					10	22.5	27.4							4-1534798-0 11	
					X	0	X	0	X	0	X	0	X	0	X	X					10	22.5	27.4							3-1534798-0 OBSOLETE	
					X	X	X	X	0	X	0	X	0	X	X	X					9	20	24.9							7-1534798-9	
					X	0	X	X	X	X	X	X	X	X	X	X					9	20	24.9							6-1534798-9	
					X	0	X	X	0	X	X	0	X	0	X						9	20	24.9							5-1534798-9	
					X	0	X	X	0	X	0	X	0	X	X						9	20	24.9							4-1534798-9	
					X	0	X	0	X	0	X	0	X	0	X						9	20	24.9							3-1534798-9	
					X	0	X	0	X	X	X	X	X	X	X						8	17.5	22.4							9-1534798-8	
					X	X	0	X	X	X	0	X									8	17.5	22.4							8-1534798-8	
					X	0	X	X	X	X	X	X									8	17.5	22.4							7-1534798-8	
					X	X	X	X	X	0	X										8	17.5	22.4							6-1534798-8	
					X	X	X	X	0	X											8	17.5	22.4							5-1534798-8	
					X	X	X	X	0	X											8	17.5	22.4							4-1534798-8	
					X	X	X	0	0	X	X										8	17.5	22.4							3-1534798-8	
Black					X	0	X	0	X	0	X										7	15	19.9							6-1534798-7	
					X	0	X	0	0	0	X										7	15	19.9							5-1534798-7	
					X	0	X	X	X	X	X										7	15	19.9							4-1534798-7 11	
					X	0	X	0	X	0	X										7	15	19.9							3-1534798-7	
Black					X	0	X	X	0	X											6	12.5	17.4							2-1534798-6 11	
Black					X	0	X	X	0	X											6	12.5	17.4				1/2			1-1534798-6	
Red					X	0	X	X	0	X											6	12.5	17.4				2/3			9-1534798-6	
					X	0	X	0	X	X											6	12.5	17.4							8-1534798-6	
					X	X	X	0	X	X											6	12.5	17.4							7-1534798-6	
					0	X	X	X	0	X											6	12.5	17.4							6-1534798-6 OBSOLETE	
					X	0	X	X	0	X											6	12.5	17.4							5-1534798-6	
					X	0	X	X	0	X											6	12.5	17.4				X	X	3/4	2314657-6 11	
					X	0	X	X	0	X											6	12.5	17.4							1-2314657-6 11	
					0	0	0	X	0	X											6	12.5	17.4							4-1534798-6 OBSOLETE	
					X	X	0	X	0	X											6	12.5	17.4							3-1534798-6	
Brown					X	X	0	X	X												5	10	14.9				1/2			9-1534798-5	
					X	0	X	0	X												5	10	14.9				4/5			8-1534798-5 11	
Black					X	0	X	0	0												5	10	14.9							7-1534798-5	
					X	0	X	0	X												5	10	14.9							6-1534798-5	
					X	X	X	0	X												5	10	14.9							5-1534798-5	
					X	0	0	0	X												5	10	14.9							4-1534798-5	
					X	0	X	0	X												5	10	14.9							3-1534798-5	
					X	0	X	X	X												5	10	14.9							2-1534798-5 11	
Orange					X	X	0	X													4	7.5	12.4							3-1534798-4 11	
					X	0	X														4	7.5	12.4							1-1534798-3	
					X	0	X														4	7.5	12.4				2/3			1534798-3	
					X	0	X														4	7.5	12.4							9-1534798-3	
					X	0	X														4	7.5	12.4							2-1534798-3	
Brown					X	0	X														3	5	9.9							8-1534798-3	
Green					X	0	X														3	5	9.9							7-1534798-3	
Blue					X	0	X																								

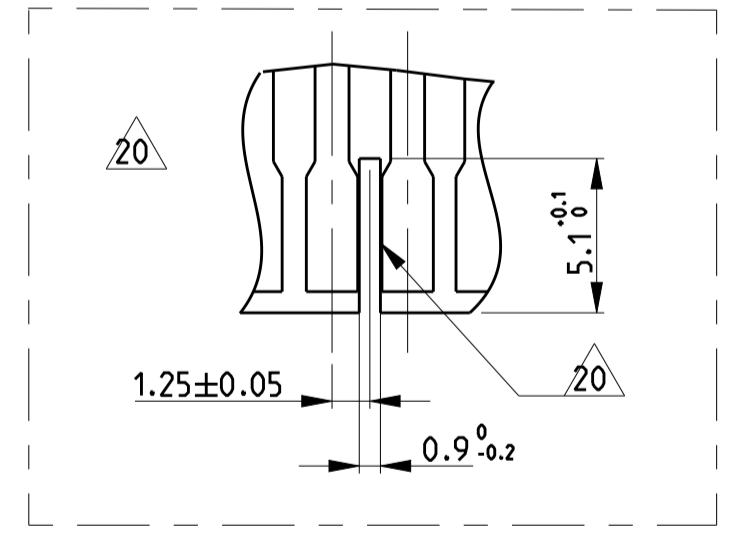
LOC	DIST	REVISIONS					
		P	LTR	DESCRIPTION	DATE	DWN	APVD
-	-	-	-	SEE SHEET 1	-	-	-



KEYING 22

KEYING 23

- 23 KEYING. SPECIAL THICK. BETWEEN POSITION
- 22 KEYING. SPECIAL THIN. BETWEEN POSITION
- 21 SLOT FOR KEYING SPECIAL. BETWEEN POSITION
- 20 RECOMMENDED PCB CUTOFF DIMENSION FOR THE PN X-2304527-Y AND X-2304528-Y



		GWT 750C AND UL94 V0 VERSION													POS.	DIM A	DIM B	KEYING	KEYING	KEYING	KEYING	PN Bestell-Nr.								
Color Code		20	19	18	17	16	15	14	13	12	11	10	9	8	7	6	5	4	3	2	1									
Blue		X	0	X	0	X	0	X	0	X	0	X	0	X	0	X	0	X	0	X	0	X	13	30	34.9		-	2/3	1-2304528-3 2304528-3	
Orange																							11	25	29.9		-	-	2-2304528-1 1-2304528-1	
Green																											-	-	2304528-1	
																							10	22.5	27.4				2-2304528-0 1-2304528-0	
Yellow																													4-2304527-9 ¹¹ 3-2304527-9 2-2304527-9	
Black																							9	20	24.9		-	2/3	1-2304527-9	
Blue																											-	2/3	2304527-9	
																													4-2304527-7 3-2304527-7	
Black																							7	15	19.9		-	2/3	2-2304527-7	
Green																											-	-	1-2304527-7	
Blue																											-	-	2304527-7	
Red																													6-2304527-6	
Black																													5-2304527-6	
Green																													4-2304527-6	
																													3-2304527-6	
																													2-2304527-6	
Blue																												-	-	1-2304527-6
Red																												-	-	2304527-6
Red																											3/4		4-2304527-5	
Red																													3-2304527-5	
																													2-2304527-5	
																												-	-	1-2304527-5
Green																													-	2304527-5
Black																												-	3/4	2304527-4
Red																											2/3		8-2304527-3	
Red																											1/2		7-2304527-3	
																											2/3		6-2304527-3	
Blue																														5-2304527-3
																														4-2304527-3
Black																												1/2	-	3-2304527-3
Red																											2/3	-	2-2304527-3	
Brown																												-	-	1-2304527-3
Orange																												-	-	2304527-3

THIS DRAWING IS A CONTROLLED DOCUMENT. DWN: H. Karabiyik 24MAY2002
 CHK: B. Schnaubel 24MAY2002
 APVD: T. Klenner 24MAY2002

STE TE Connectivity

NAME: AMP DUOPLUG 2.5 MARK II FEMALE CONNECTOR 3-20 POSITION SELECTIVE LOADED

PRODUCT SPEC: 108-18785 APPLICATION SPEC: 116-18467

SIZE: A1 CAGE CODE: 00779 DRAWING NO: 1534798

RESTRICTED TO: -

Customer Drawing SCALE: 10:1 SHEET: 3 OF 3