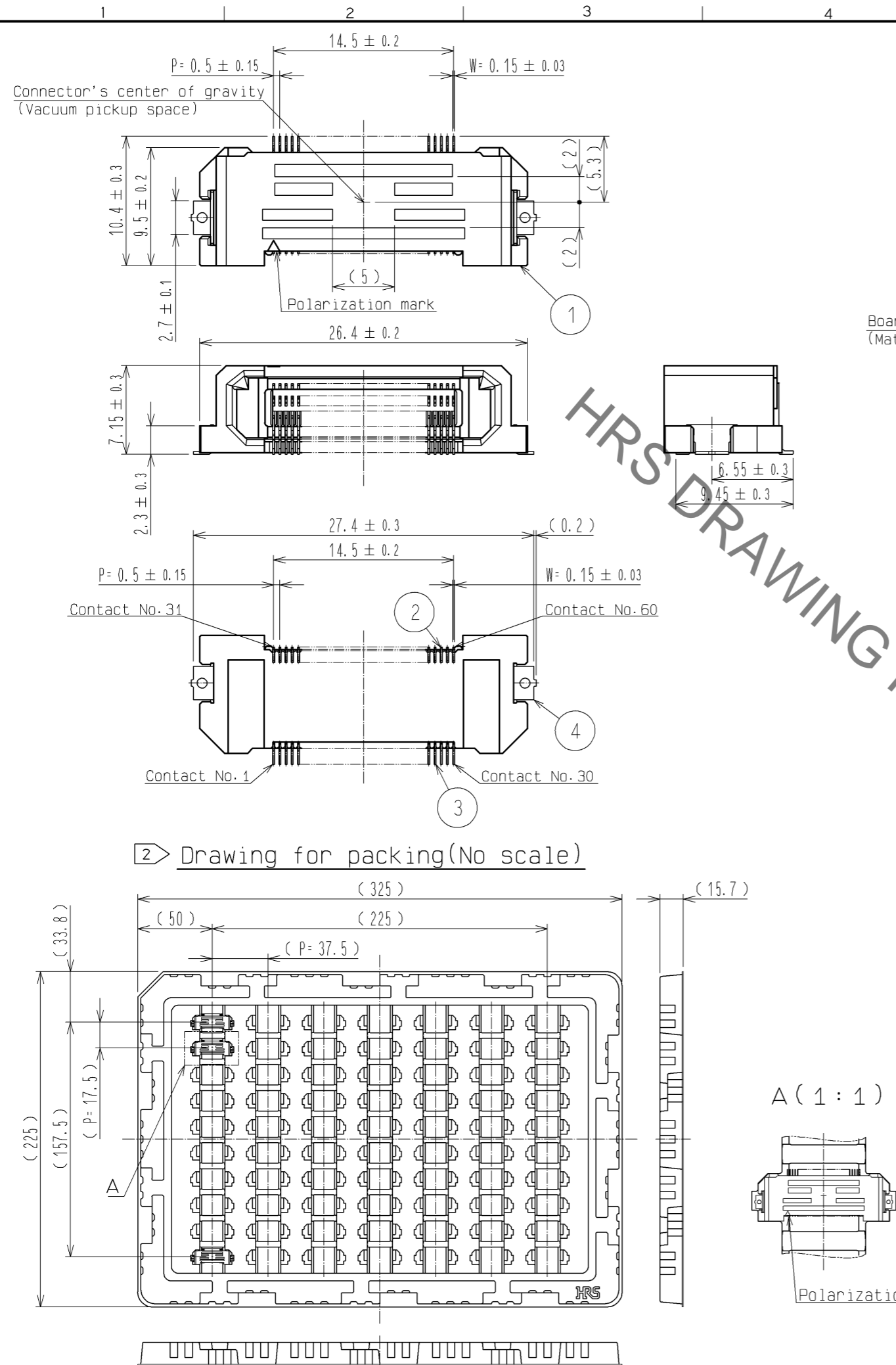
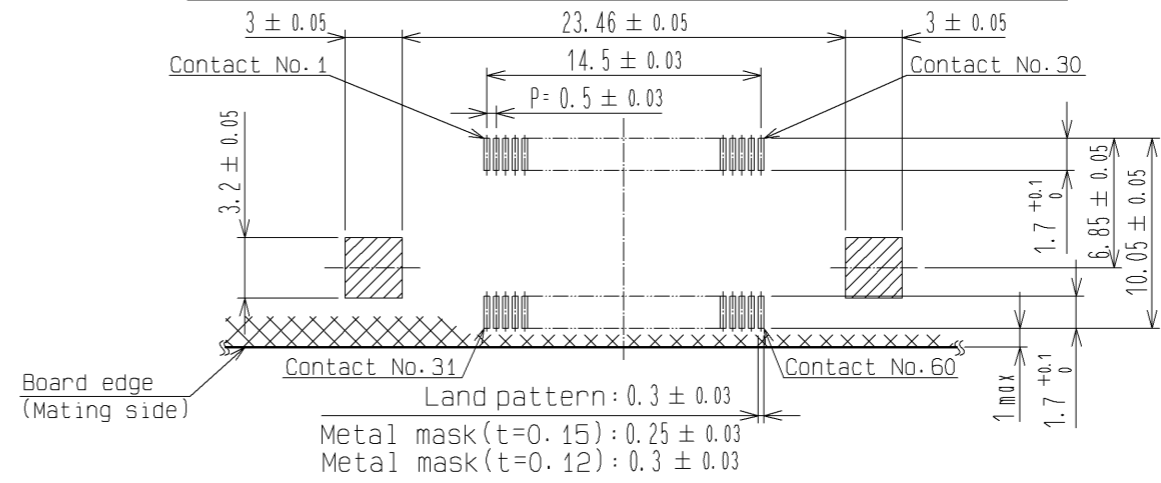


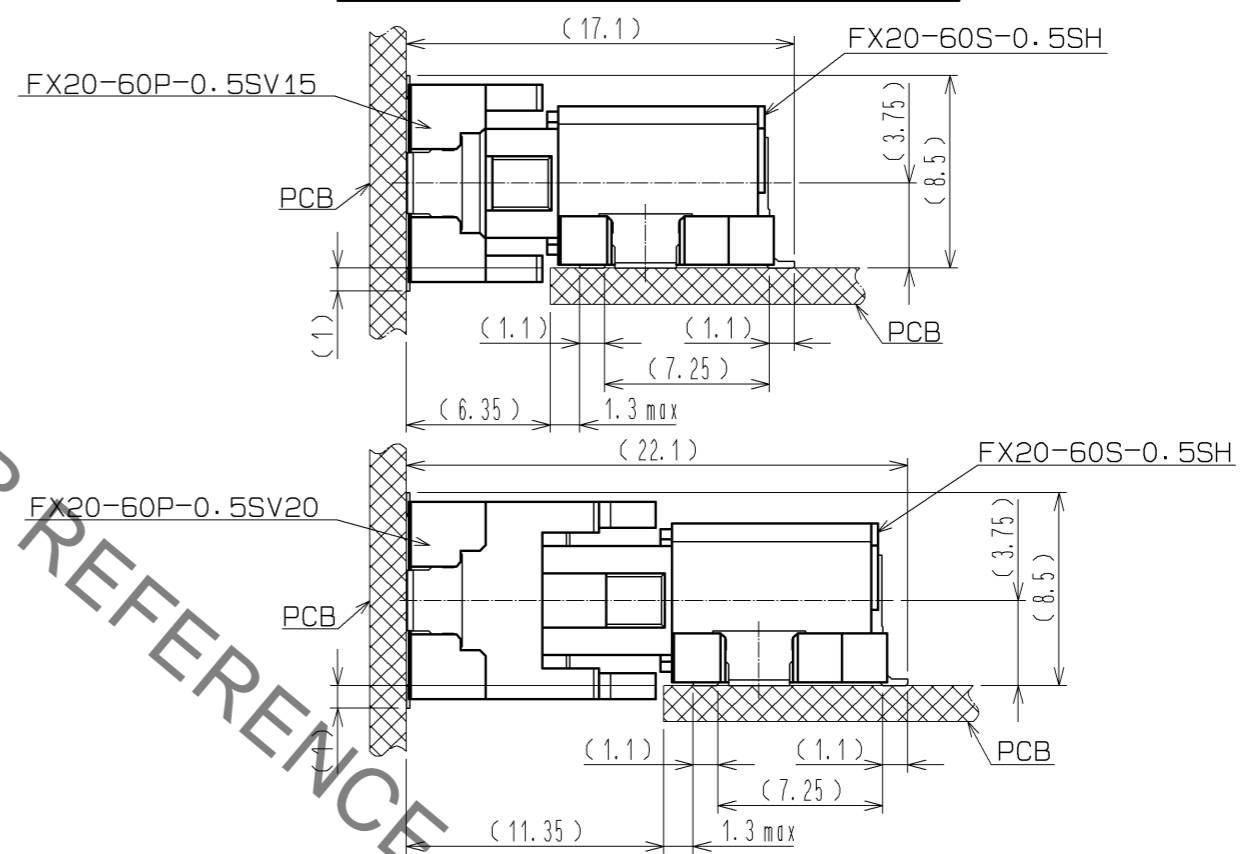
Mar.1.2020 Copyright 2020 HIROSE ELECTRIC CO., LTD. All Rights Reserved.  
In case of consideration for using Automotive equipment / device which demand high reliability, kindly contact our sales window correspondents.



⑤ Recommended land pattern dimension of PCB



Drawing for mating(No scale)



- 1 Lead CO-Planarity is 0.1mm MAX.
- ② This is packaged in tray. (70pcs/tray)
- 3 Blemish and hit mark can be occurred through out the manufacturing process which dosen't affect quality level.
- 4 Please note that excessive wrenching force could damage this connector. Please refer to the guideline for detailed regulations of the mating method.
- ⑤ No prohibited area for printing pattern or via hole. PCB resist can be printed optionally.
- 6 The dimensions in parentheses are for references.

NO.	MATERIAL	FINISH . REMARKS	NO.	MATERIAL	FINISH . REMARKS
1	LCP	BLACK UL94V-0	4	BRASS	TIN-PLATING 1 μm
			2.3	PHOSPHOR BRONZE	CONTACT AREA:GOLD 0.1 μm
					LEAD AREA:GOLD 0.03 μm
					UNDER PLATING:NICKEL 1 μm

UNITS	SCALE	COUNT	DESCRIPTION OF REVISIONS	DESIGNED	CHECKED	DATE
mm	2:1	△				
APPROVED : HS. OKAWA			13.09.25	DRAWING NO. EDC3-348427-00		
CHECKED : KI. HIROKAWA			13.09.25	PART NO. FX20-60S-0.5SH		
DESIGNED : TS. OONO			13.09.25	CODE NO. CL570-1602-0-00		
DRAWN : TS. OONO			13.09.25			