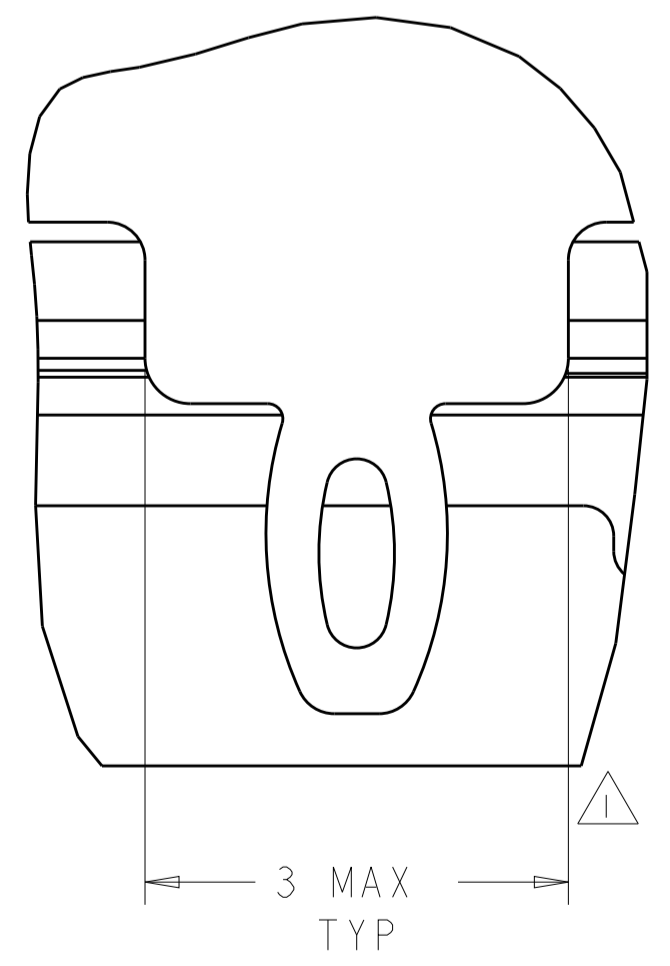
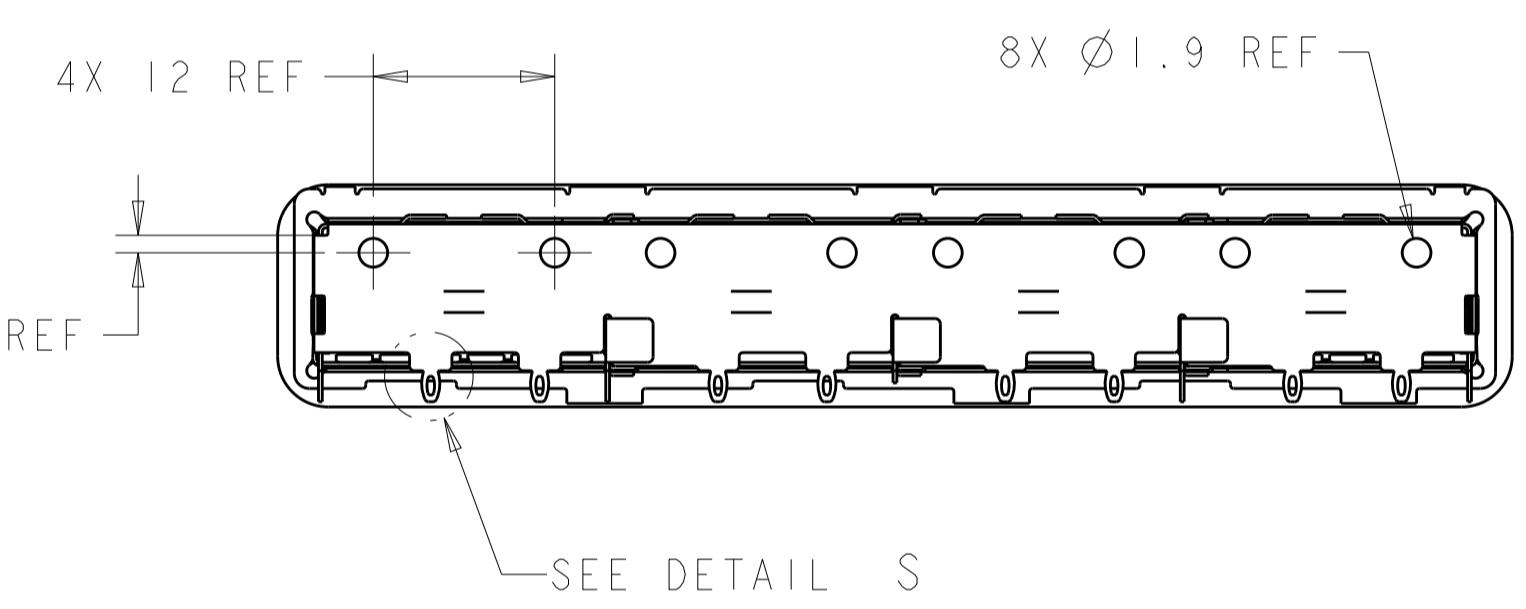
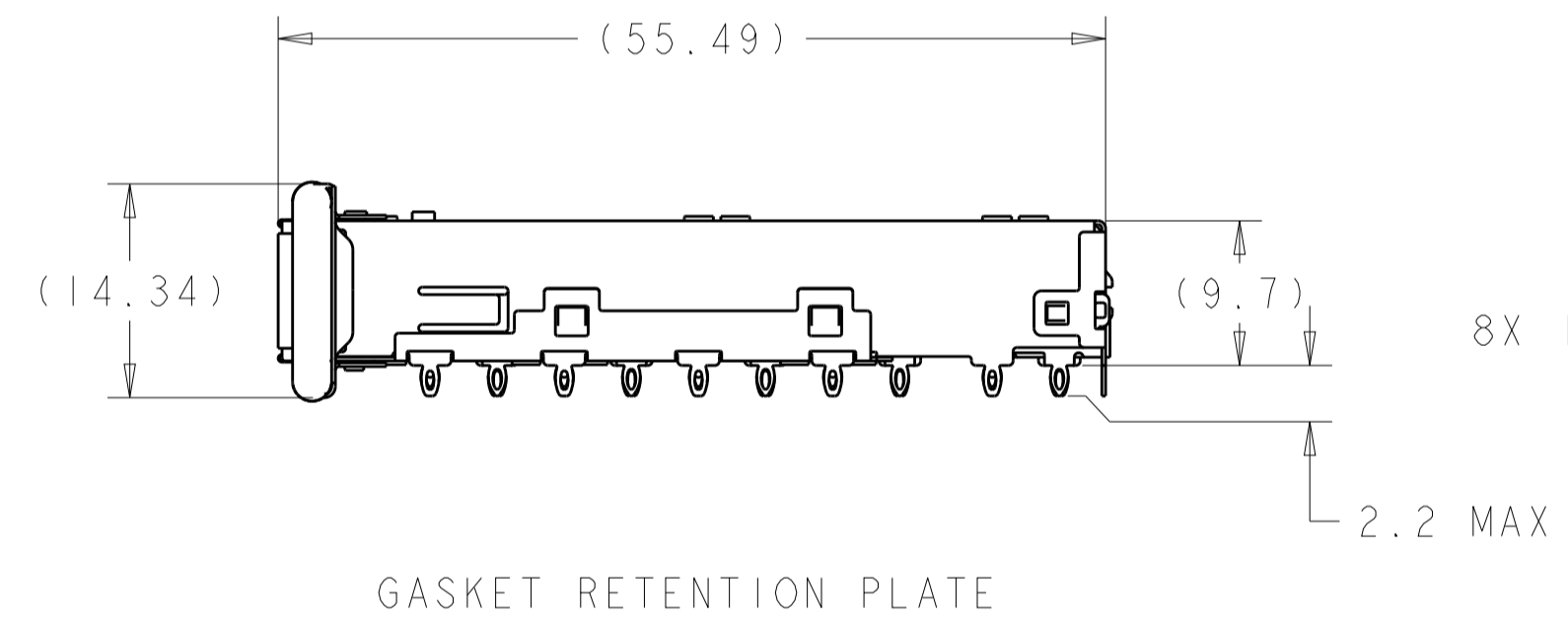
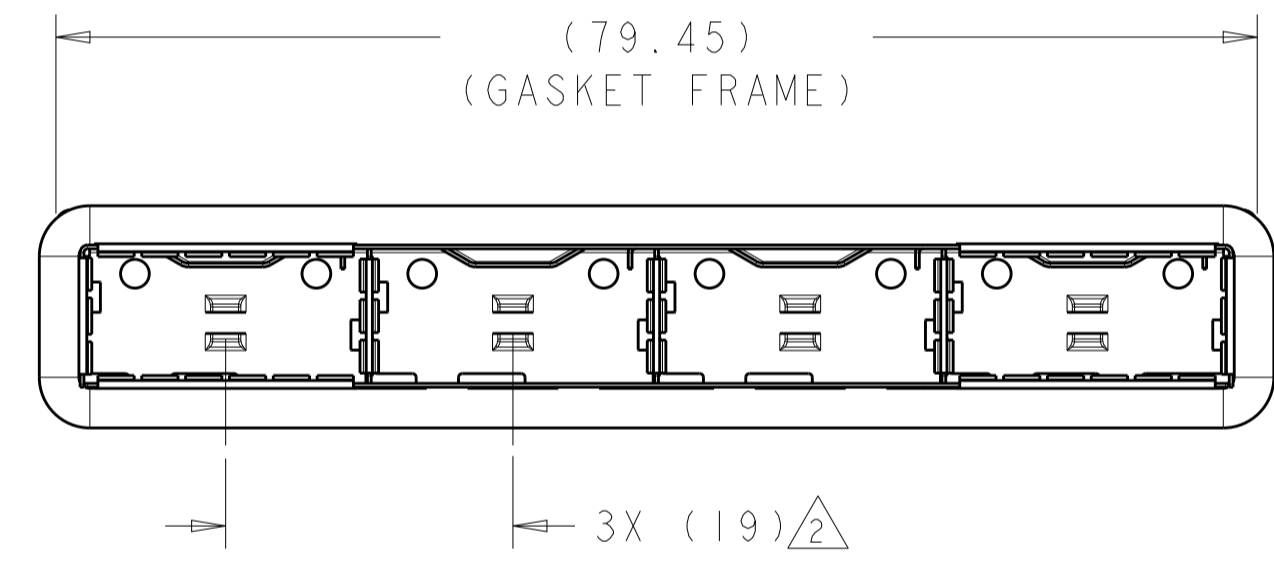
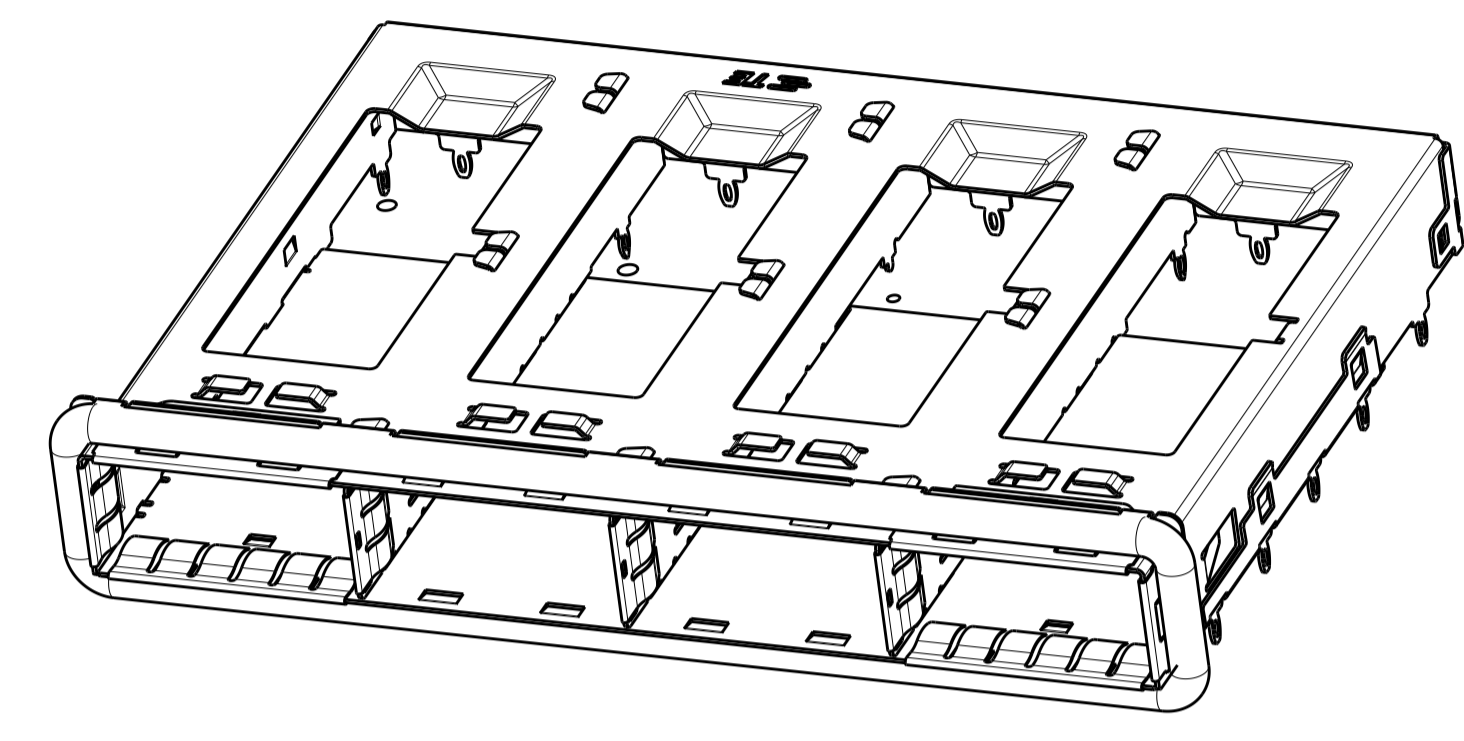
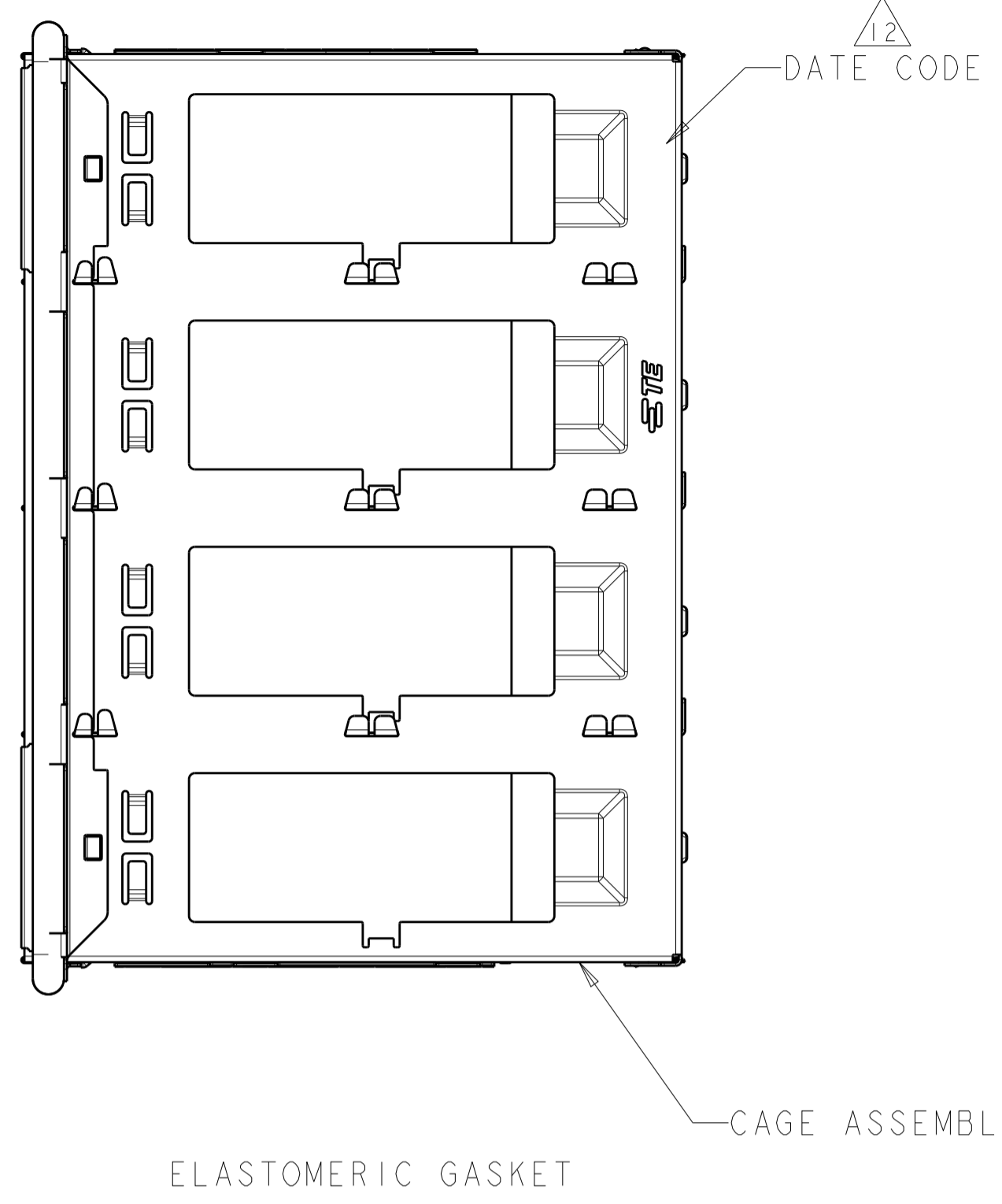
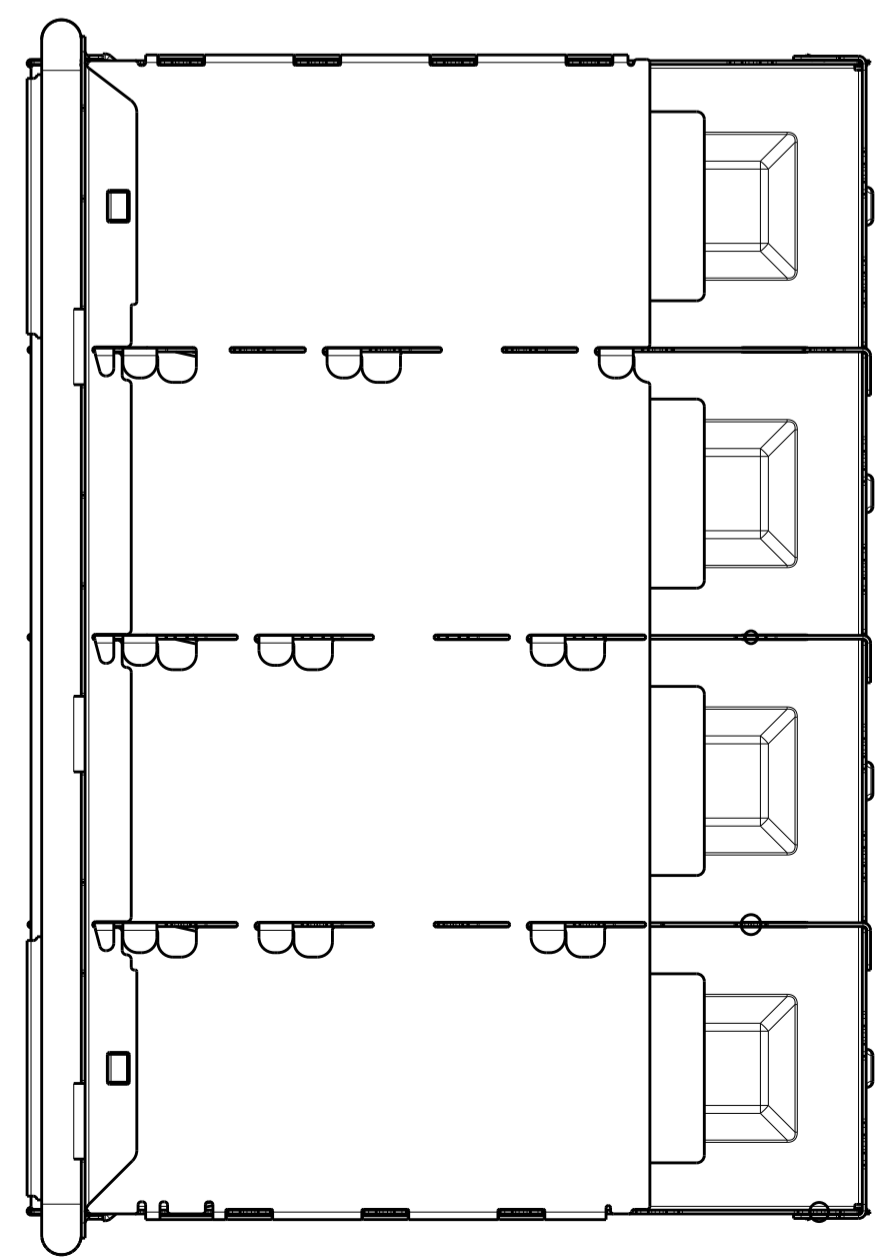


LOC		DIST		REVISIONS			
P	LTN	DESCRIPTION	DATE	DWN	APVD		
A		RELEASE TO ACTIVE	1NOV2016	RG	SH		

- 1 SURFACE TRACES PERMITTED WITHIN THIS AREA EXCEPT WHERE CAGE STANDOFFS, SHOWN IN DETAIL S, CONTACT PC BOARD.
- 2 PITCH BETWEEN PORTS OF ONE 1X4 CAGE.
- 3 SPACING BETWEEN CAGES ON THE SAME PC BOARD. TO BE SPECIFIED BY CUSTOMER, MUST COMPLY WITH MINIMUM DIMENSIONS SHOWN.
- 4 REFERENCE APPLICATION SPEC 114-13217 FOR RECOMMENDED DRILL HOLE DIAMETER AND PLATING THICKNESS.
- 5 UNPLATED THRU HOLE.
- 6 DATUM AND BASIC DIMENSION ESTABLISHED BY CUSTOMER.
- 7 DATUM -A- IS TOP SURFACE OF THE HOST BOARD.
- 8 DIMENSION C IS THE NOMINAL THICKNESS OF CUSTOMER SUPPLIED PC BOARD. MINIMUM PC BOARD THICKNESS:
 SINGLE SIDED: 1.45mm
 DOUBLE SIDED: 5.0mm PER CUSTOM
- 9. MATES WITH QSFP MSA COMPATIBLE TRANSCEIVER.
- 10 BASELINE FOR THE DIMENSION IS CENTER OF COMPLIANT PIN HOLE.
- 11 LED ON HOST BOARD. QUANTITY, POSITION, AND GEOMETRY DEPENDS ON CHOICE OF LIGHT PIPES.
- 12 DATE CODE (YYWWD) MARKED APPROXIMATELY AS SHOWN.
- 13 REFERENCE APP SPEC 114-13217 FOR GASKET THICKNESS CALCULATION.
- 14 MATERIAL:
 CAGE ASSEMBLY: NICKEL SILVER, 0.25 THICK
 EMI SPRINGS: COPPER ALLOY
 GASKET PLATE: STAINLESS STEEL
- 15 FINISH:
 EMI SPRINGS: TIN PLATING OVER NICKEL



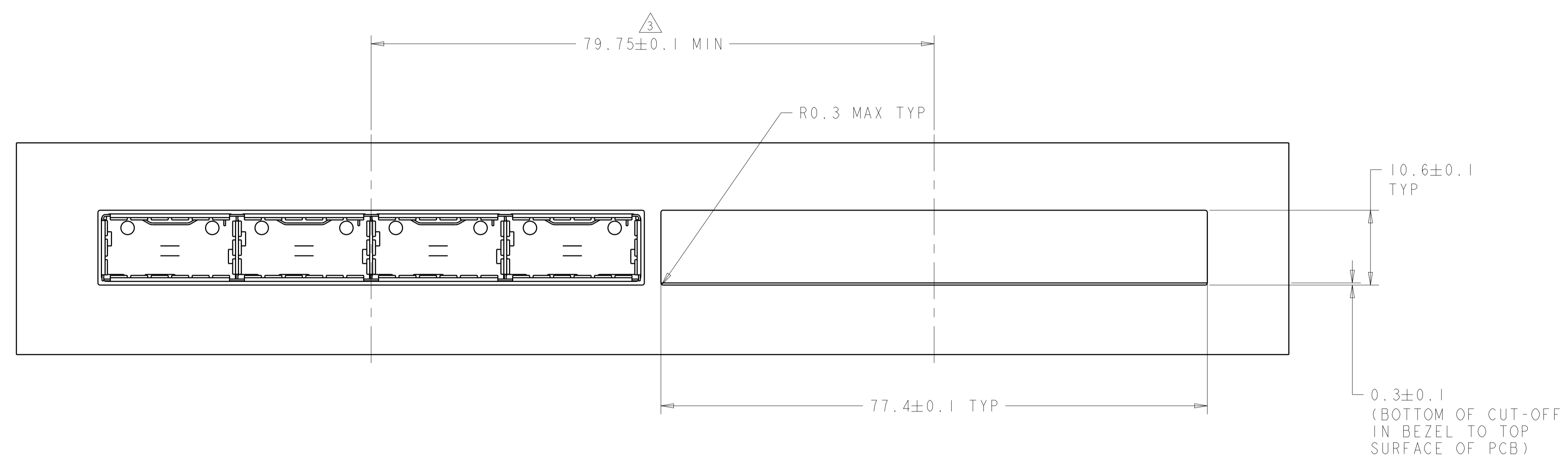
DETAIL S
SCALE 20:1



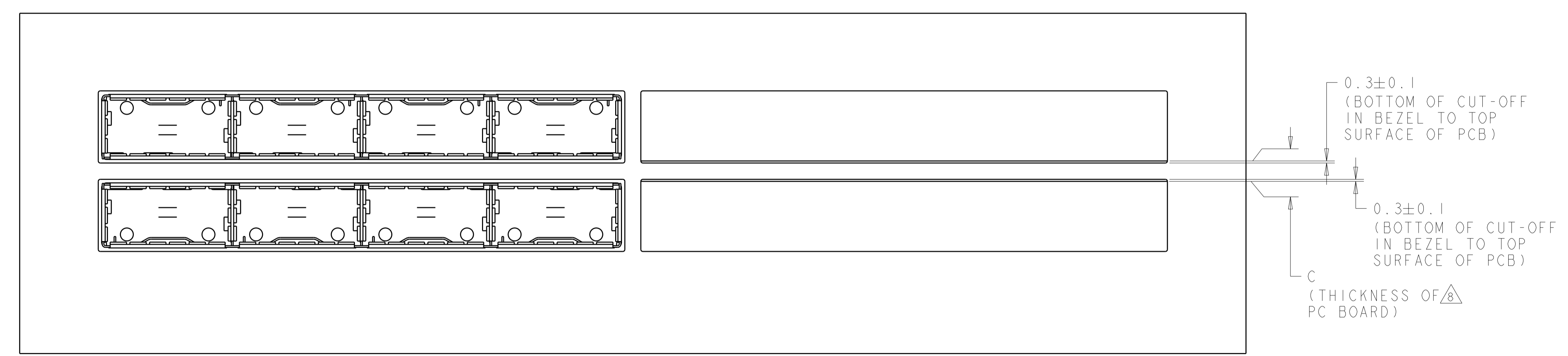
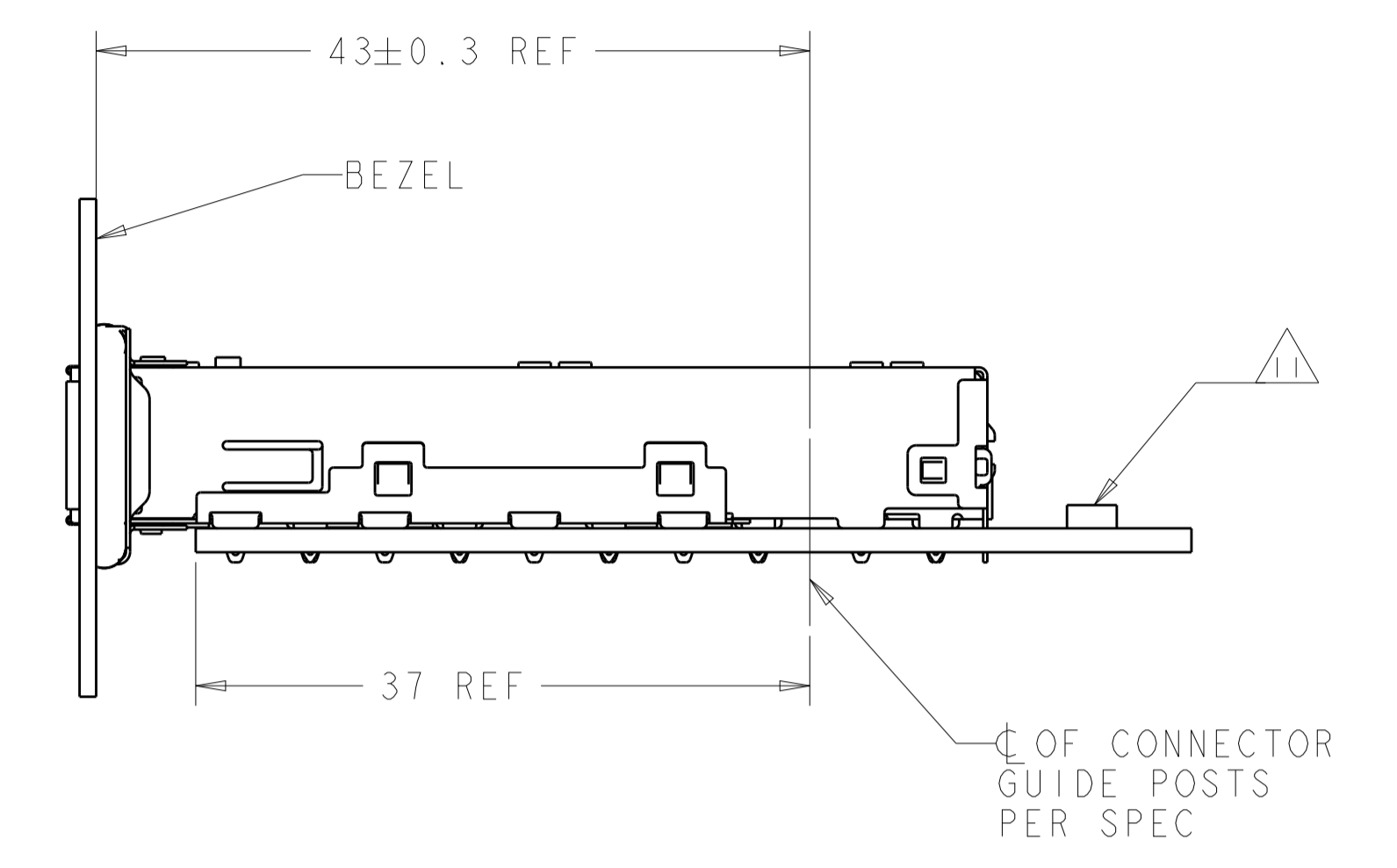
2170288-1
PART NUMBER

THIS DRAWING IS A CONTROLLED DOCUMENT.		DWN: KINSEN SUN 05MAR2012	TE Connectivity
DIMENSIONS: mm		CHK: DENNY ZHU 05MAR2012	
TOLERANCES UNLESS OTHERWISE SPECIFIED:		APVD: AILEY CAI 05MAR2012	NAME: 1X4 CAGE ASSEMBLY, THRU BEZEL, W/ ELASTOMERIC GASKET, QSFP
0 PLC ±0.25		PRODUCT SPEC: 108-2286	
1 PLC ±0.15		APPLICATION SPEC: 114-13217	SIZE: CAGE CODE DRAWING NO: A100779C=2170288 WEIGHT: - CUSTOMER DRAWING
2 PLC ±		RESTRICTED TO: -	
3 PLC ±		SCALE: 2:1	SHEET 1 OF 4 REV A
4 PLC ±			
ANGLES ±			
MATERIAL: 1.4			
FINISH: 1.5			

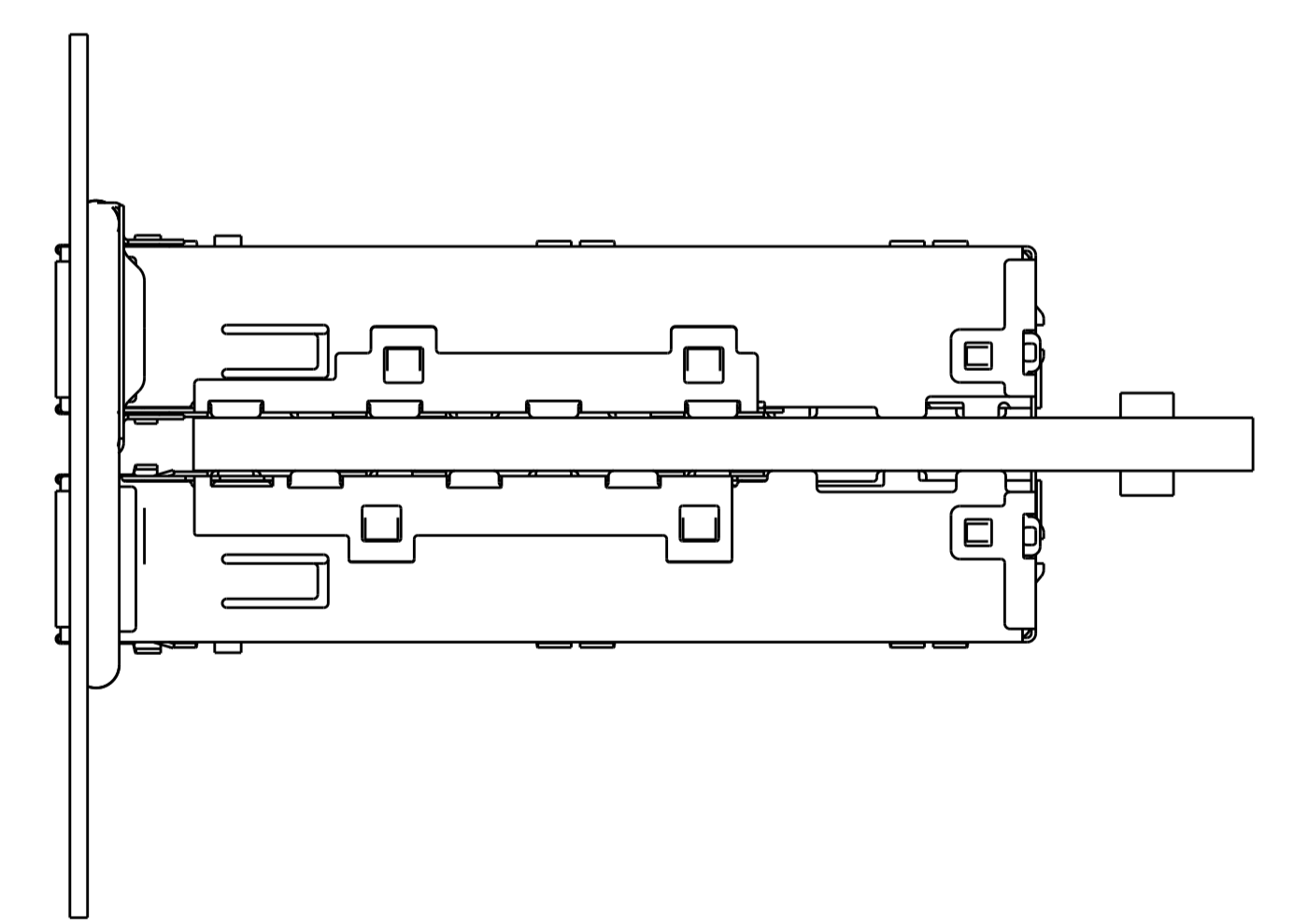
LOC		DIST		REVISIONS			
GP	00	P	LTN	DESCRIPTION	DATE	DMN	APVD
-	-	-	-	SEE SHEET 1	-	-	-



ONE SIDED CONFIGURATION
 SCALE 5:2

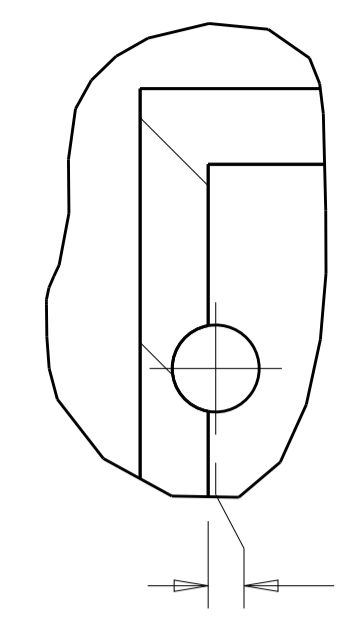


BELLY TO BELLY CONFIGURATION SIMILAR
 TO ONE SIDED EXCEPT WHERE NOTED
 SCALE 5:2

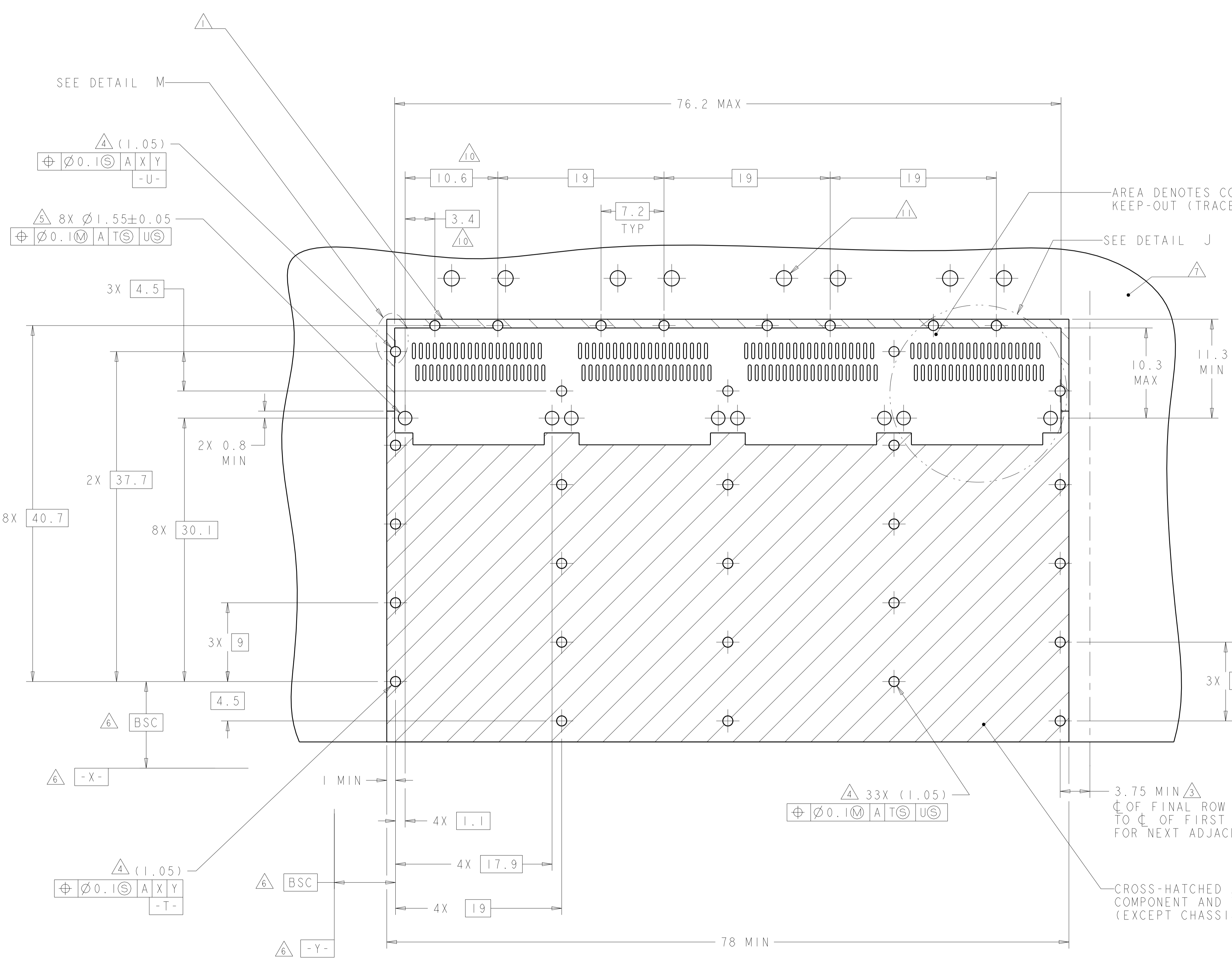


THIS DRAWING IS A CONTROLLED DOCUMENT.		DMN KINSEN SUN 05MAR2012	TE Connectivity
DIMENSIONS:		CHK DENNY ZHU 05MAR2012	
mm	TOLERANCES UNLESS OTHERWISE SPECIFIED:	APVD ALEX CAI 05MAR2012	NAME 1X4 CAGE ASSEMBLY, THRU BEZEL, W/ ELASTOMERIC GASKET, QSFP
	0 PLC ± 1 PLC ±0.25 2 PLC ±0.15 3 PLC ± 4 PLC ± ANGLES ±	PRODUCT SPEC 108-2286	SIZE 114-13217
MATERIAL	FINISH	APPLICATION SPEC	RESTRICTED TO
-	-	WEIGHT	A100779C=2170288
CUSTOMER DRAWING		SCALE 2:1	SHEET 2 OF 4 REV A

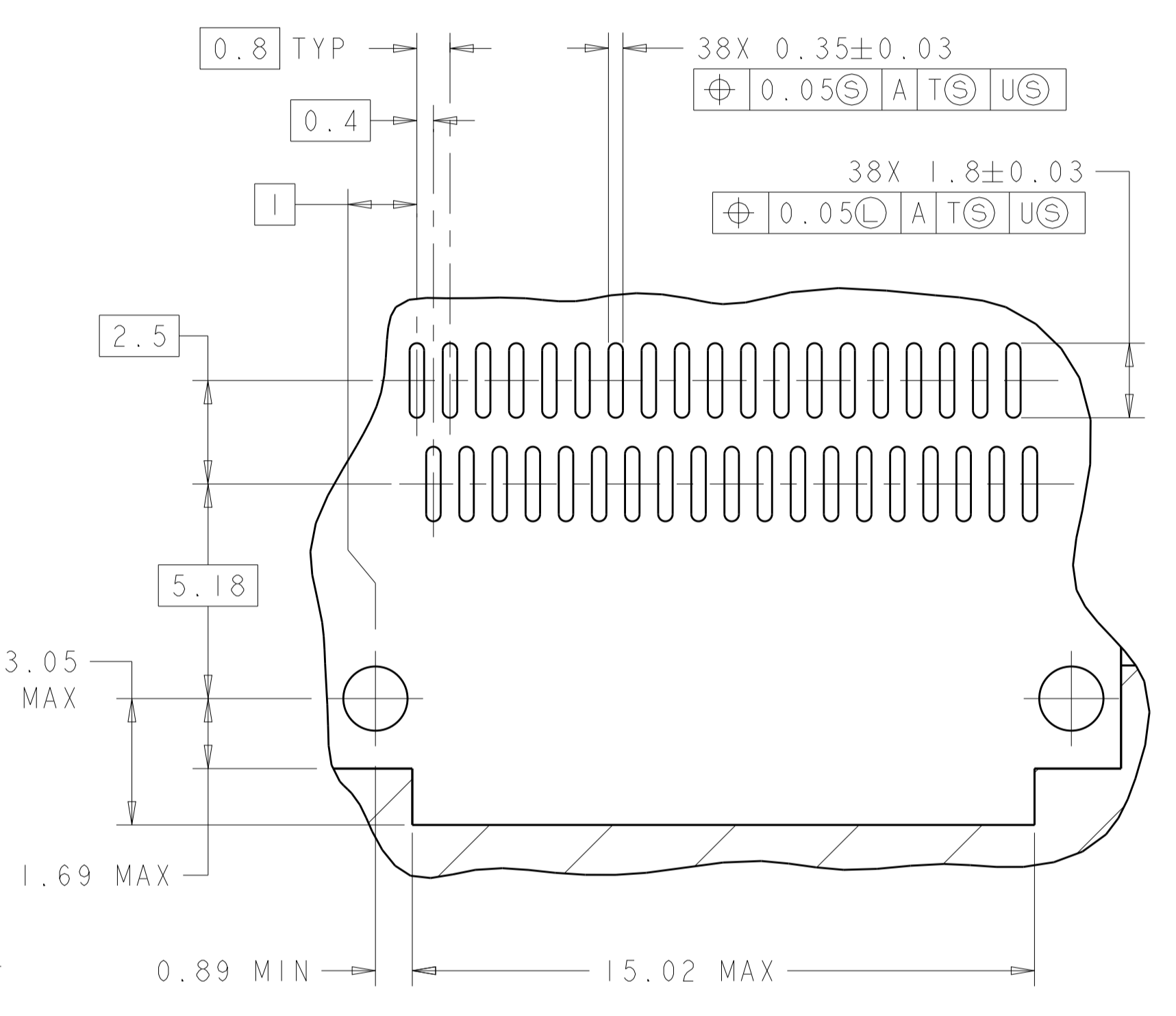
LOC	DIST	REVISIONS					
GP	00	P.	LTN	DESCRIPTION	DATE	DWN	APVD
		-		SEE SHEET 1			



DETAIL M
SCALE 10:1



RECOMMENDED PC BOARD LAYOUT
 SINGLE SIDE MOUNT CONFIGURATION
 SCALE 4:1

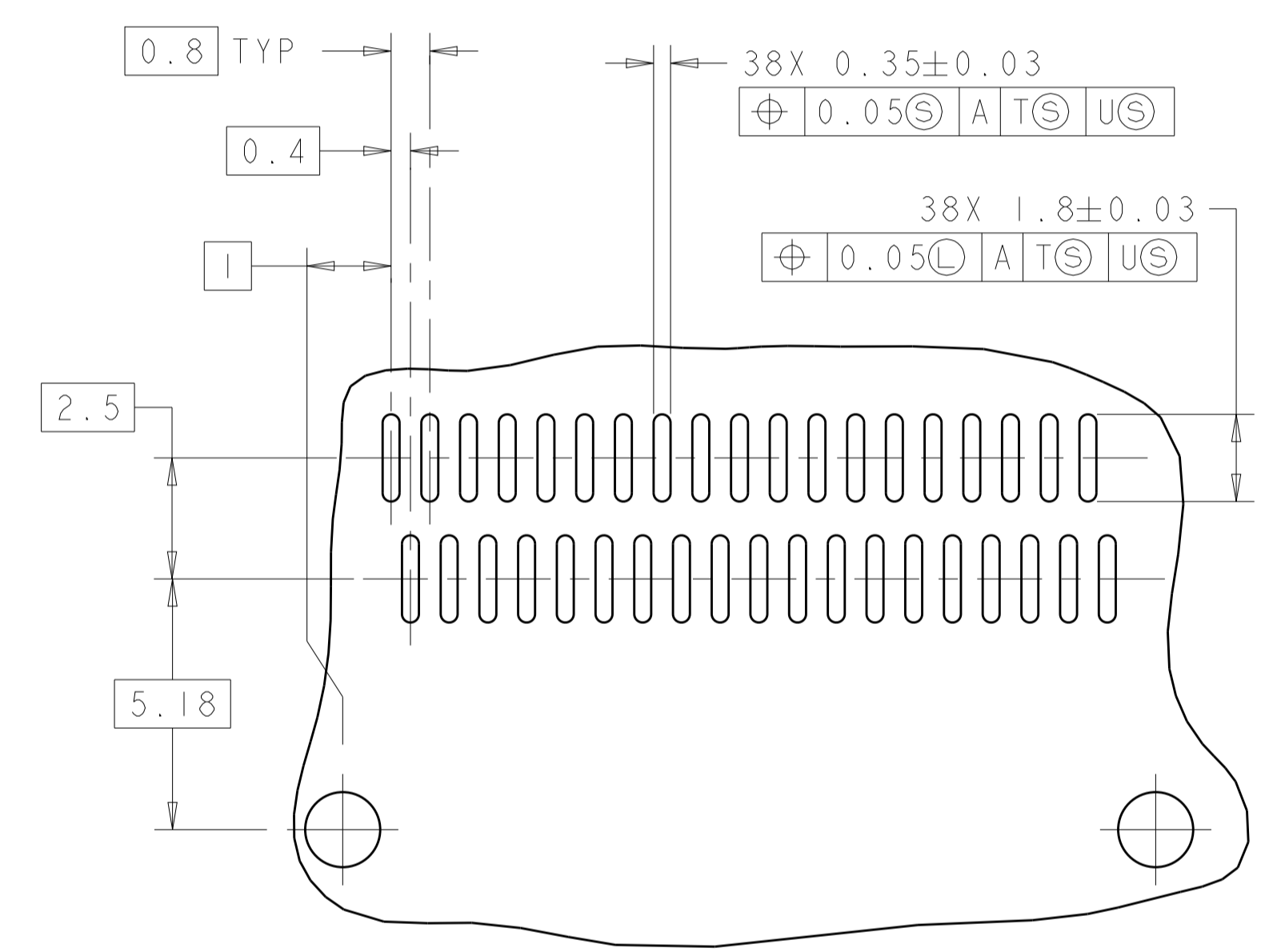
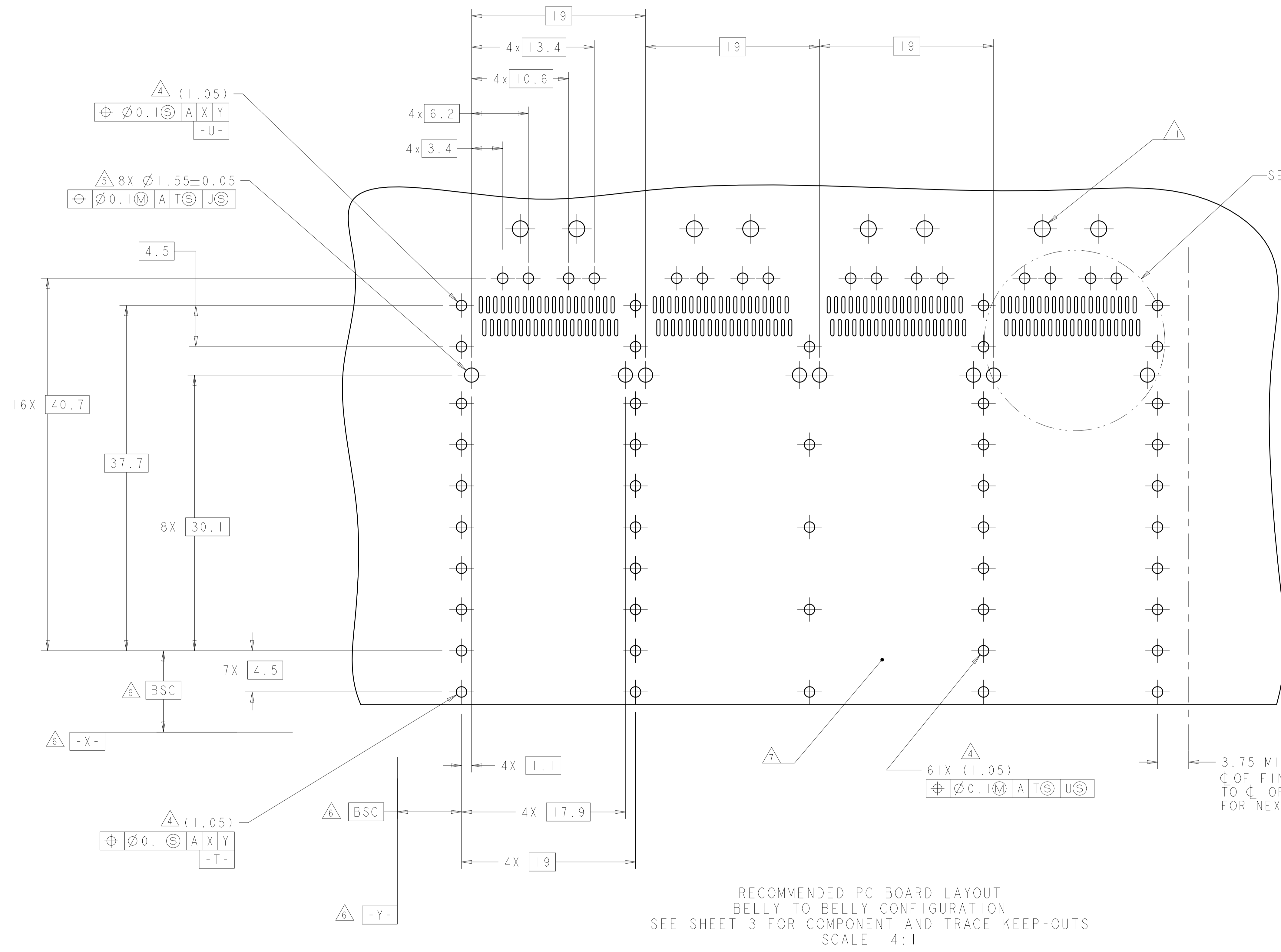


DETAIL J
 4 PLACES
 SCALE 8:1

THIS DRAWING IS A CONTROLLED DOCUMENT.		DWN: RINSEN SUN 05MAR2012	TE Connectivity
DIMENSIONS: mm		CHK: DENNY ZHU 05MAR2012	
TOLERANCES UNLESS OTHERWISE SPECIFIED:		APVD: AILEY CAI 05MAR2012	NAME: 1X4 CAGE ASSEMBLY, THRU BEZEL, W/ ELASTOMERIC GASKET, QSFP
0 PLC	±	PRODUCT SPEC	SIZE: CAGE CODE DRAWING NO
1 PLC	±0.10	108-2286	RESTRICTED TO
2 PLC	±0.05	APPLICATION SPEC	A100779C=2170288
3 PLC	±	114-13217	SCALE 2:1 SHEET 3 OF 4 REV A
4 PLC	±	WEIGHT	
ANGLES	±	CUSTOMER DRAWING	
MATERIAL			
FINISH			

LOC	DIST	REV	DATE	BY	APPD
GP	00				

REVISIONS			
NO.	DESCRIPTION	DATE	BY
-	SEE SHEET 1	-	-



RECOMMENDED PC BOARD LAYOUT
 BELLY TO BELLY CONFIGURATION
 SEE SHEET 3 FOR COMPONENT AND TRACE KEEP-OUTS
 SCALE 4:1

3.75 MIN $\Delta 3$
 C OF FINAL ROW OF HOLES
 TO C OF FIRST ROW OF HOLES
 FOR NEXT ADJACENT CAGE.

THIS DRAWING IS A CONTROLLED DOCUMENT.		OWN: KINSEN SUN 05MAR2012	TE Connectivity
DIMENSIONS: mm		CHK: DENNY ZHU 05MAR2012	
TOLERANCES UNLESS OTHERWISE SPECIFIED:		APVD: AILEY CAI 05MAR2012	NAME: 1X4 CAGE ASSEMBLY, THRU BEZEL, W/ ELASTOMERIC GASKET, QSFP
0 PLC ±0.10	1 PLC ±0.10	PRODUCT SPEC: 108-2286	SIZE: CAGE CODE DRAWING NO: A100779C=2170288
2 PLC ±0.05	3 PLC ±	APPLICATION SPEC: 114-13217	RESTRICTED TO: -
4 PLC ±	ANGLES ±	WEIGHT: -	SCALE: 2:1 SHEET 4 OF 4 REV A
MATERIAL: -	FINISH: -	CUSTOMER DRAWING	

Mouser Electronics

Authorized Distributor

Click to View Pricing, Inventory, Delivery & Lifecycle Information:

[TE Connectivity:](#)

[2170288-1](#)