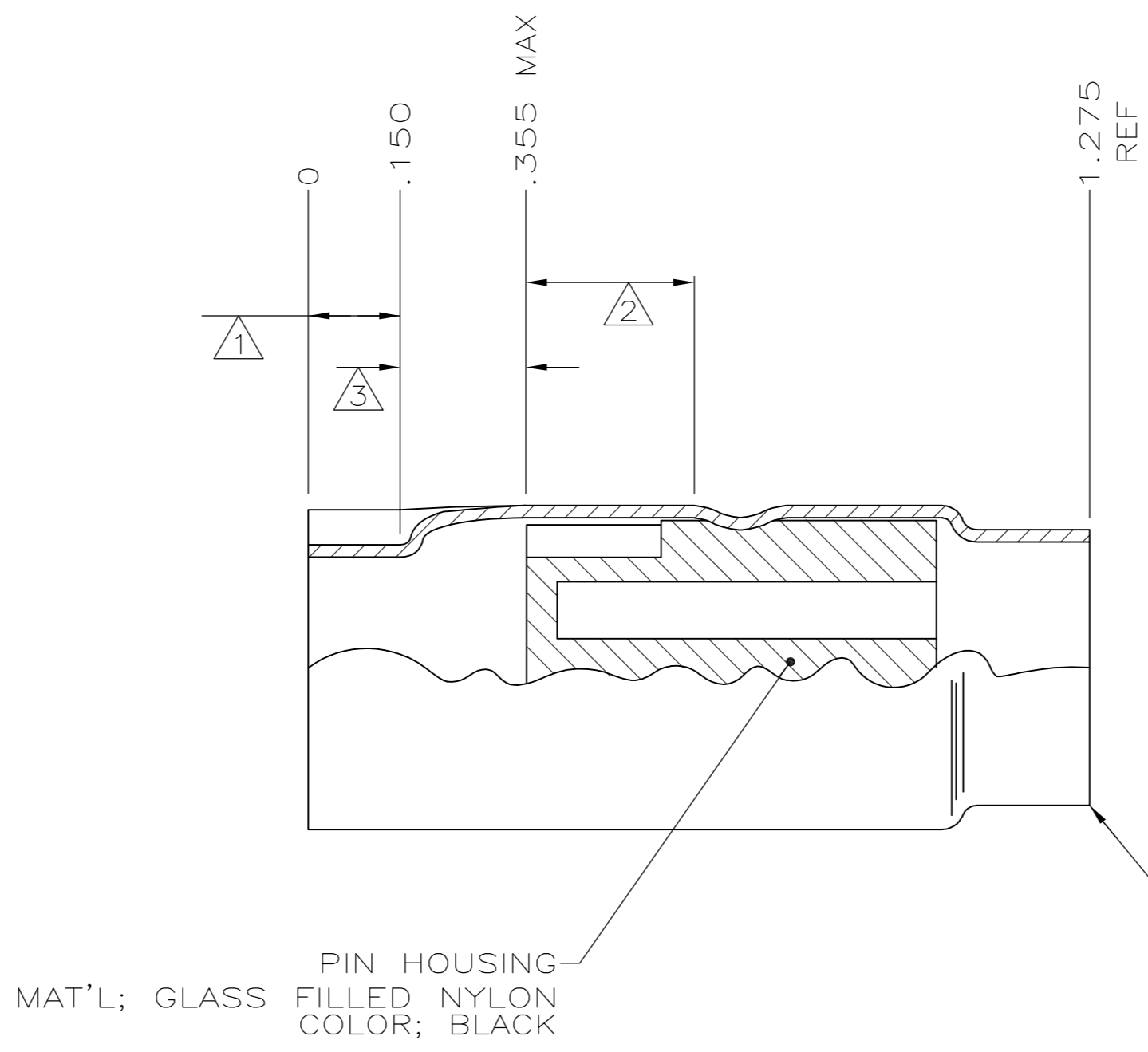
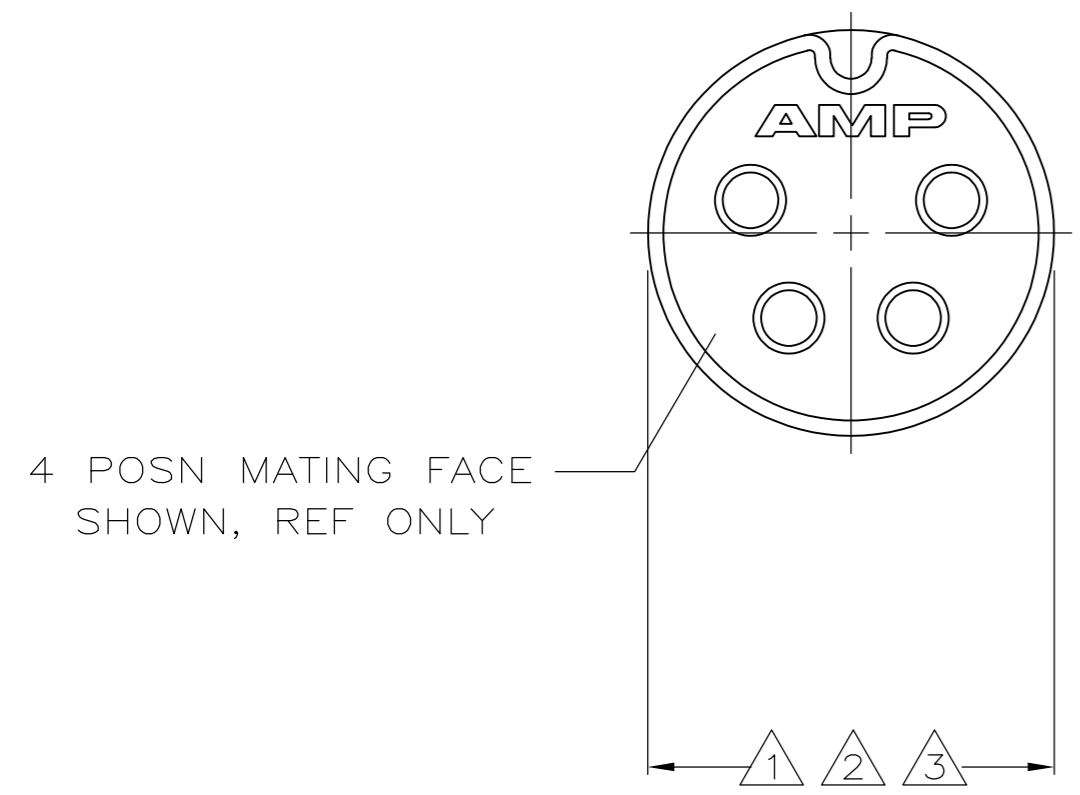


THIS DRAWING IS UNPUBLISHED. RELEASED FOR PUBLICATION
 © COPYRIGHT - By - ALL RIGHTS RESERVED.

| LOC | | DIST | | REVISIONS | | | |
|-----|-----|-------------|---------------------------|-----------|--------|--|--|
| P | LTR | DESCRIPTION | DATE | DWN | APVD | | |
| GP | 00 | J1 | REVISED PER ECO-11-005033 | 23MAR11 | RK HMR | | |



- ① SHELL DIAMETER IN THIS AREA TO BE $.529 \pm .005$ MEASURED ANYWHERE EXCEPT OVER KEY.
- ② SHELL DIAMETER IN THIS AREA TO BE $.531 \pm .003$.
- ③ SHELL DIAMETER IN KEY TRANSITION AREA MAY NOT EXCEED $.535$ AT ANY MEASUREMENT POINT.
- ④ TIN-LEAD.
- ⑤ TIN.

SHIELD MAT'L; BRASS FINISH; TIN/PLATE

| | | | |
|----------|---|---------------------------------------|------------|
| | ⑤ | CIRCULAR DIN SUB-ASSEMBLY, 8 POSITION | 9-212437-2 |
| | ⑤ | CIRCULAR DIN SUB-ASSEMBLY, 6 POSITION | 9-212437-1 |
| | ⑤ | CIRCULAR DIN SUB-ASSEMBLY, 5 POSITION | 9-212437-0 |
| | ⑤ | CIRCULAR DIN SUB-ASSEMBLY, 4 POSITION | 212437-7 |
| OBSOLETE | ④ | CIRCULAR DIN SUB-ASSEMBLY, 8 POSITION | 212437-6 |
| OBSOLETE | ④ | CIRCULAR DIN SUB-ASSEMBLY, 7 POSITION | 212437-5 |
| OBSOLETE | ④ | CIRCULAR DIN SUB-ASSEMBLY, 6 POSITION | 212437-4 |
| OBSOLETE | ④ | CIRCULAR DIN SUB-ASSEMBLY, 5 POSITION | 212437-3 |
| OBSOLETE | ④ | CIRCULAR DIN SUB-ASSEMBLY, 4 POSITION | 212437-2 |
| OBSOLETE | ④ | CIRCULAR DIN SUB-ASSEMBLY, 3 POSITION | 212437-1 |

| SHIELD FINISH | DESCRIPTION | PART NUMBER |
|---------------|-------------|-------------|
|---------------|-------------|-------------|

| | | | | | | | | | | | | | | | | |
|---|--------|--------------------------------|--------------------------------------|-------------------------------|-----|-------|-----|-------|--------|-------|-----|--------|-----|--------------|---------|--|
| THIS DRAWING IS A CONTROLLED DOCUMENT. | | DWN L. Varela - Dock5 11-10-05 | TE TE Connectivity | | | | | | | | | | | | | |
| DIMENSIONS: INCHES | | CHK C. ROHDE 11-10-05 | | | | | | | | | | | | | | |
| TOLERANCES UNLESS OTHERWISE SPECIFIED: | | APVD M. WALMSLEY 11-10-05 | NAME CIRCULAR DIN PLUG, SUB-ASSEMBLY | | | | | | | | | | | | | |
| <table border="1"> <tr><td>0 PLC</td><td>± -</td></tr> <tr><td>1 PLC</td><td>± -</td></tr> <tr><td>2 PLC</td><td>± -</td></tr> <tr><td>3 PLC</td><td>± .010</td></tr> <tr><td>4 PLC</td><td>± -</td></tr> <tr><td>ANGLES</td><td>± -</td></tr> </table> | | 0 PLC | ± - | 1 PLC | ± - | 2 PLC | ± - | 3 PLC | ± .010 | 4 PLC | ± - | ANGLES | ± - | PRODUCT SPEC | SIZE A2 | |
| 0 PLC | ± - | | | | | | | | | | | | | | | |
| 1 PLC | ± - | | | | | | | | | | | | | | | |
| 2 PLC | ± - | | | | | | | | | | | | | | | |
| 3 PLC | ± .010 | | | | | | | | | | | | | | | |
| 4 PLC | ± - | | | | | | | | | | | | | | | |
| ANGLES | ± - | | | | | | | | | | | | | | | |
| MATERIAL SEE TABLE | | APPLICATION SPEC | CAGE CODE 00779 | DRAWING NO C-212437 | | | | | | | | | | | | |
| FINISH SEE TABLE | | WEIGHT - | RESTRICTED TO - | SCALE 1:1 SHEET 1 of 1 REV J1 | | | | | | | | | | | | |
| CUSTOMER DRAWING | | | | | | | | | | | | | | | | |

Mouser Electronics

Authorized Distributor

Click to View Pricing, Inventory, Delivery & Lifecycle Information:

[TE Connectivity:](#)

[9-212437-0](#)