



60W Passive Power over Ethernet Adapter Lowest Cost Ultra PoE Power Injector



Features

- Continuous flow of power with no detection
- Very Low leakage
- Non-Vented Case
- 2 or 3 Wire Options
- 1 Year Warranty
- Lowest Cost Ultra PoE
- Full Protection OCP, OVP
- Level VI Efficiency
- Optional Gigabit Base-T Data Rate

Applications

- Satellite Receivers
- Wireless Network Access Points
- Kiosks
- Security Camera
- LCD Displays
- WiMax Access Points

Safety Approvals

- cUL/UL
- CE

Mechanical Characteristics

- Length: 163mm (6.4in)
- Width: 65mm (2.56in)
- Height: 36mm (1.42in)
- Weight: 0.4Kg

Output Specifications

Model Number	Output Voltage	Output Current	Input Connector	Gigabit
POE61U - 560D	56V	1.1 A	3 Wire C14	No
POE61U - 560DG	56V	1.1A	3 Wire C14	Yes
POE61W -560D	56V	1.1A	2 Wire C8	No
POE61W- 560DG	56V	1.1A	2 Wire C8	Yes

Phihong is not responsible for any error, and reserves the right to make changes without notice. Please visit our website at www.phihong.com for the most up-to-date specifications and contact information.

INPUT:**AC Input Voltage Range**

90 to 264VAC

AC Input Voltage Rating

100 to 240VAC, 47-63Hz

AC Input Current

2.0A (RMS) maximum for 90VAC

1.2A (RMS) maximum for 240VAC

Leakage Current

0.25mA maximum for 264VAC, 50Hz (U Models)

0.25mA maximum for 264VAC, 50Hz (W models)

AC Inrush Current

30A maximum for 115VAC

60A maximum for 230VAC

(at cold start, 25°C)

OUTPUT:**Total Output Power**

60W

Output Ripple

250mVp-p

DC Offset

No data degradation with DC imbalance 18mA

Efficiency

DOE Level VI

Hold-up Time

10mS min. 120VAC and maximum load

ENVIRONMENTAL:**Temperature**

Operation 0 to +40°C

Non-operation -20 to +65°C

Humidity

Operation 5 to 90%

EMC

FCC Part 15 Class A

EN55022 Class A

Isolation Test

Primary to Secondary: 4242VDC for 1 minute, 10mA

Primary to F.G.: 2121VDC for 1 minute, 10mA

Secondary to F.G.: 2121VDC for 1 minute, 10mA

Immunity

ESD: EN61000-4-2. Level 3

RS: EN61000-4-3. Level 2

EFT: EN61000-4-4. Level 2

Surge: EN61000-4-5. Level 3

CS: EN61000-4-6. Level 2

Voltage Dips EN61000-4-11

Harmonic: EN61000-3-2 Class A

Insulation Resistance

Primary to Secondary: >10M OHM 500VDC

Primary to Field Ground: >10M OHM 500VDC

FEATURE:**Over Voltage/Current, Short Circuit Protection**

Outputs equipped with short circuit protection and overload protection.

The output can be shorted permanently without damage

Input Connector

IEC320 C14 for U Models

IEC320 C8 for W Models

Output Connection

4-pair powering for Gigabit models

Pins 3,6, 4,5(+) Pins 1,2, 7,8 (-)

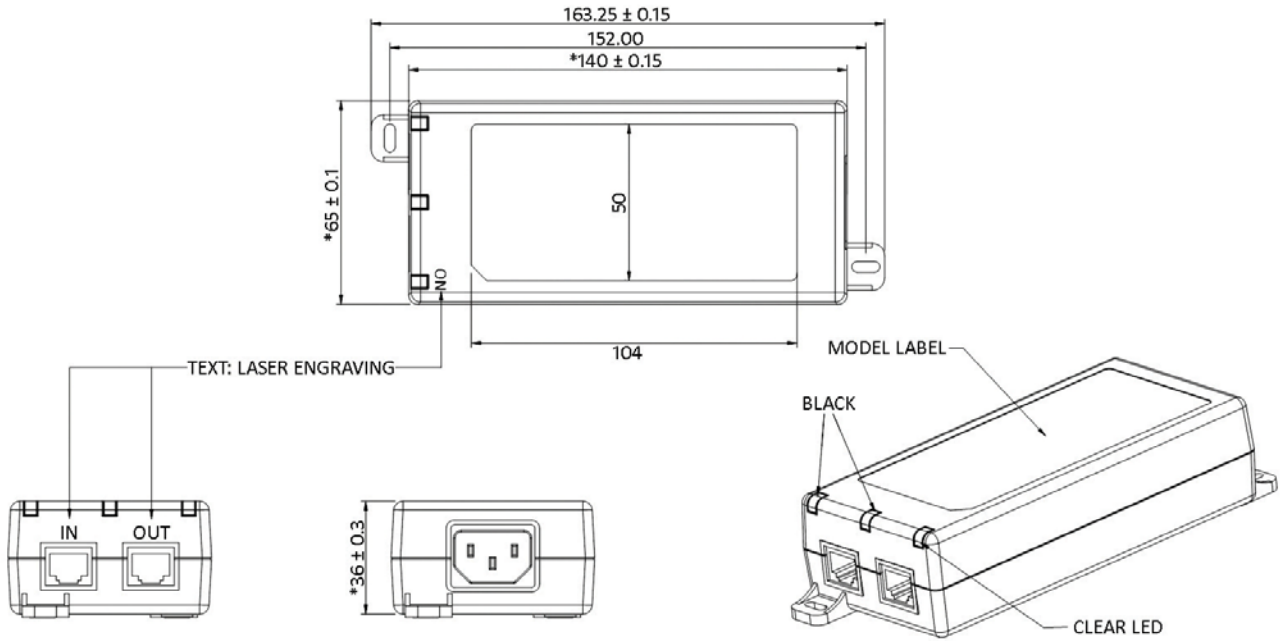
2-pair powering for non-gigabit models

Pins 4,5(+) Pins 7,8 (-)

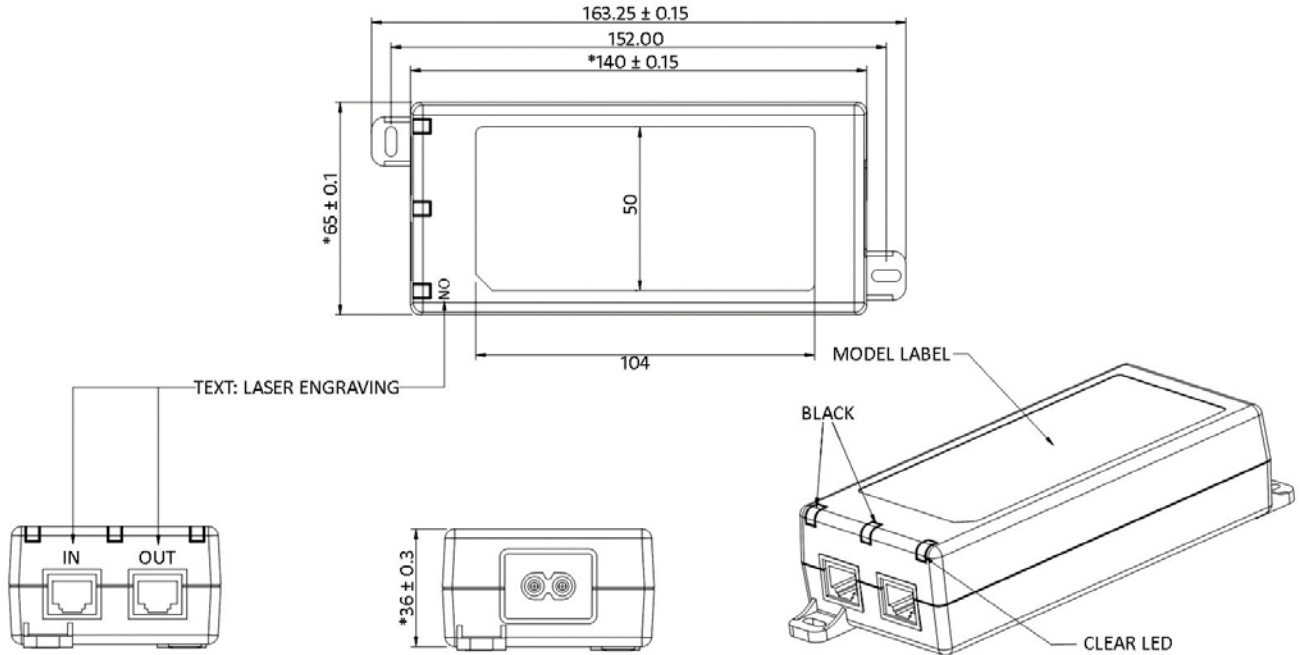
Warranty

1 Year

POE61U Series with 3 Wire Input



POE61W Series with 2 Wire Input



Mouser Electronics

Authorized Distributor

Click to View Pricing, Inventory, Delivery & Lifecycle Information:

[Phihong:](#)

[POE61W-560D](#) [POE61U-560DG](#) [POE61W-560DG](#) [POE61U-560D](#)