

RED INDICATES ORIGINAL

DWG
SIZE
B

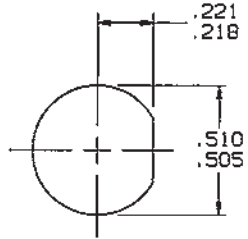
DATA CONTAINED IN THIS DOCUMENT IS
PROPRIETARY TO TROMPETER ELECTRONICS INC.
AND SHALL NOT BE DISCLOSED, COPIED OR USED
FOR PROCUREMENT OR MANUFACTURE WITHOUT
EXPRESS WRITTEN PERMISSION.

REVISIONS

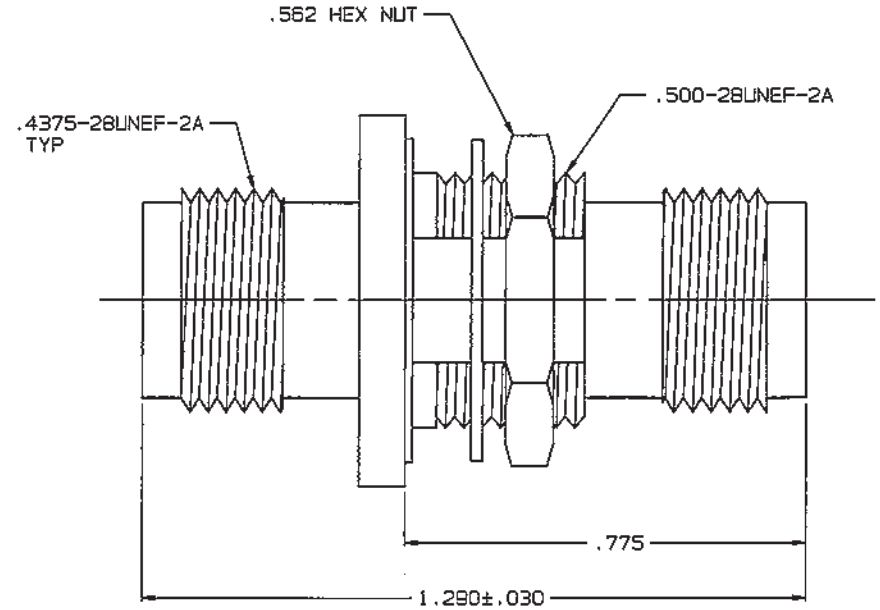
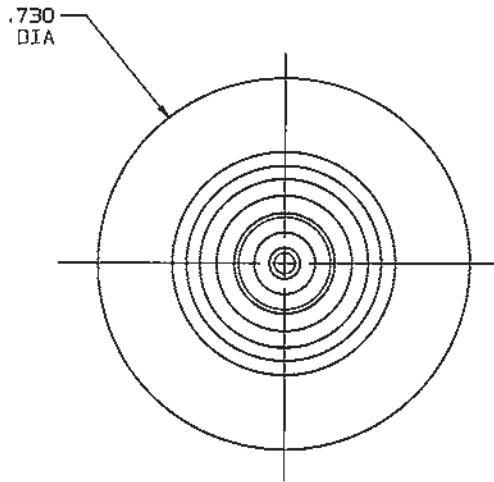
3-0058

SH 1

REV	EO	DESCRIPTION	DWN	APPROVED	DATE
E	10309	CHANGED .775 DIM LOCATED DIM; GENERAL UPDATE	DKC	BW, KQ	6/25/93



RECOMMENDED
PANEL CUTOUT
SCALE: 2/1



INCH	MM
.005	0.13
.030	0.76
.187	4.75
.218	5.54
.221	5.61
.505	12.83
.510	12.95
.562	14.27
.730	18.54
.775	19.69
1.290	32.77

4. CONCENTRIC TWINAX/TRIAX TRT FEEDTHRU BULKHEAD MOUNT RECEPTACLE
3. MAX PANEL THK .187
2. FINISH: TFS-1A (NICKEL)
1. ALL DIM ARE IN INCHES

QTY	DESCRIPTION	PART NUMBER	ITEM
TOL UNLESS SPECIFIED .XX ± .XXX ± .005 .XXXX ± ANGLES ±			BJ378
DWN	DKC 6-23-93		
CHK	BW 6-24-93	14949	DRAWING NO.
ENGR		3-0058	REV
APPR	KQ 6-25-93	SCALE 4/1	DATE 1-21-81
NEXT ASSY			SHEET 1 OF 2

Mouser Electronics

Authorized Distributor

Click to View Pricing, Inventory, Delivery & Lifecycle Information:

[Cinch Connectivity Solutions:](#)

[BJ378](#)