

2.1-channel high-efficiency digital audio system Sound Terminal[®]

Datasheet - production data



Features

- Wide-range supply voltage
 - 5 V to 26 V (operating range)
 - 30 V (absolute maximum rating)
- Four power output configurations
 - 2 channels of ternary PWM (stereo mode) (2 x 50 W into 6 Ω at 25 V)
 - 3 channels - left, right using binary and LFE using ternary PWM (2.1 mode) (2 x 18 W + 1 x 40 W into 2 x 4 Ω, 1 x 8 Ω at 25 V)
 - 2 channels of ternary PWM (2 x 50 W) + stereo lineout ternary
 - 1 channel of ternary PWM as mono-BTL (1 x 90 W into 3 Ω at 24.5 V)
- FFX[™] 100 dB SNR and dynamic range
- Selectable 32 to 192 kHz input sample rates
- I²C control with selectable device address
- Digital gain/attenuation +42 dB to -80 dB with 0.125 dB/step resolution
- Soft-volume update with programmable ratio
- Individual channel and master gain/attenuation
- Two independent DRCs configurable as a dual-band anti-clipper (B²DRC) or independent limiters/compressors
- EQ-DRC for DRC based on filtered signals
- Dedicated LFE processing for bass boosting with 0.125 dB/step resolution
- Audio presets:
 - 15 preset crossover filters
 - 5 preset anti-clipping modes
 - Preset nighttime listening mode
- Individual channel and master soft/hard mute
- Independent channel volume and DSP bypass
- Automatic zero-detect mute
- Automatic invalid input-detect mute
- I²S input data interface
- Input and output channel mapping
- Up to 8 user-programmable biquads per channel
- 3 coefficient banks for EQ presets storing with fast recall via I²C interface
- Extended coefficient dynamic up to -4..4 for easy implementation of high shelf filters
- Bass/treble tones and de-emphasis control
- Selectable high-pass filter for DC blocking
- Advanced AM interference frequency switching and noise suppression modes
- Selectable high or low bandwidth noise-shaping topologies
- Selectable clock input ratio
- 96 kHz internal processing sample rate with quantization error noise shaping for very low cutoff frequency filters
- Thermal overload and short-circuit protection embedded
- Video apps: 576 x Fs input mode supported
- Fully compatible with the STA339BW and the STA339BWS

Contents

1	Description	12
1.1	Block diagram	13
2	Pin connections	14
2.1	Connection diagram	14
2.2	Pin description	14
3	Electrical specifications	16
3.1	Absolute maximum ratings	16
3.2	Thermal data	16
3.3	Recommended operating conditions	17
3.4	Electrical specifications for the digital section	17
3.5	Electrical specifications for the power section	18
3.6	Power-on/off sequence	20
4	Characterization curves	21
4.1	Mono parallel BTL characteristics	26
5	Serial audio interface	28
5.0.1	Timings	28
5.0.2	Delay serial clock enable	28
5.0.3	Channel input mapping	28
6	Processing data paths	29
7	I²C bus specification	31
7.1	Communication protocol	31
7.1.1	Data transition or change	31
7.1.2	Start condition	31
7.1.3	Stop condition	31
7.1.4	Data input	31
7.2	Device addressing	31
7.3	Write operation	32

7.3.1	Byte write	32
7.3.2	Multi-byte write	32
7.4	Read operation	32
7.4.1	Current address byte read	32
7.4.2	Current address multi-byte read	32
7.4.3	Random address byte read	32
7.4.4	Random address multi-byte read	32
7.4.5	Write mode sequence	33
7.4.6	Read mode sequence	33
8	Register description	34
8.1	Configuration register A (addr 0x00)	37
8.1.1	Master clock select	37
8.1.2	Interpolation ratio select	38
8.1.3	Thermal warning recovery bypass	38
8.1.4	Thermal warning adjustment bypass	38
8.1.5	Fault detect recovery bypass	39
8.2	Configuration register B (addr 0x01)	39
8.2.1	Serial audio input interface format	39
8.2.2	Serial data interface	40
8.2.3	Serial data first bit	40
8.2.4	Delay serial clock enable	42
8.2.5	Channel input mapping	42
8.3	Configuration register C (addr 0x02)	43
8.3.1	FFX power output mode	43
8.3.2	FFX compensating pulse size register	43
8.3.3	Overcurrent warning detect adjustment bypass	44
8.4	Configuration register D (addr 0x03)	44
8.4.1	High-pass filter bypass	44
8.4.2	De-emphasis	44
8.4.3	DSP bypass	45
8.4.4	Post-scale link	45
8.4.5	Biquad coefficient link	45
8.4.6	Dynamic range compression/anti-clipping bit	45
8.4.7	Zero-detect mute enable	46
8.4.8	Submix mode enable	46

8.5	Configuration register E (addr 0x04)	46
8.5.1	Max power correction variable	46
8.5.2	Max power correction	46
8.5.3	Noise-shaper bandwidth selection	47
8.5.4	AM mode enable	47
8.5.5	PWM speed mode	47
8.5.6	Distortion compensation variable enable	47
8.5.7	Zero-crossing volume enable	47
8.5.8	Soft-volume update enable	48
8.6	Configuration register F (addr 0x05)	48
8.6.1	Output configuration	48
8.6.2	Invalid input detect mute enable	54
8.6.3	Binary output mode clock loss detection	54
8.6.4	LRCK double trigger protection	54
8.6.5	Auto EAPD on clock loss	54
8.6.6	IC power-down	54
8.6.7	External amplifier power-down	55
8.7	Volume control registers (addr 0x06 - 0x0A)	55
8.7.1	Mute/line output configuration register	55
8.7.2	Master volume register	55
8.7.3	Channel 1 volume	55
8.7.4	Channel 2 volume	56
8.7.5	Channel 3 / line output volume	56
8.8	Audio preset registers (addr 0x0B and 0x0C)	57
8.8.1	Audio preset register 1 (addr 0x0B)	57
8.8.2	Audio preset register 2 (addr 0x0C)	58
8.8.3	AM interference frequency switching	58
8.8.4	Bass management crossover	58
8.9	Channel configuration registers (addr 0x0E - 0x10)	59
8.9.1	Tone control bypass	59
8.9.2	EQ bypass	59
8.9.3	Volume bypass	60
8.9.4	Binary output enable registers	60
8.9.5	Limiter select	60
8.9.6	Output mapping	60
8.10	Tone control register (addr 0x11)	61

8.10.1	Tone control	61
8.11	Dynamic control registers (addr 0x12 - 0x15)	61
8.11.1	Limiter 1 attack/release rate	61
8.11.2	Limiter 1 attack/release threshold	61
8.11.3	Limiter 2 attack/release rate	61
8.11.4	Limiter 2 attack/release threshold	62
8.11.5	Limiter 1 extended attack threshold (addr 0x32)	65
8.11.6	Limiter 1 extended release threshold (addr 0x33)	65
8.11.7	Limiter 2 extended attack threshold (addr 0x34)	66
8.11.8	Limiter 2 extended release threshold (addr 0x35)	66
8.12	User-defined coefficient control registers (addr 0x16 - 0x26)	66
8.12.1	Coefficient address register	66
8.12.2	Coefficient b1 data register bits 23:16	66
8.12.3	Coefficient b1 data register bits 15:8	66
8.12.4	Coefficient b1 data register bits 7:0	66
8.12.5	Coefficient b2 data register bits 23:16	67
8.12.6	Coefficient b2 data register bits 15:8	67
8.12.7	Coefficient b2 data register bits 7:0	67
8.12.8	Coefficient a1 data register bits 23:16	67
8.12.9	Coefficient a1 data register bits 15:8	67
8.12.10	Coefficient a1 data register bits 7:0	67
8.12.11	Coefficient a2 data register bits 23:16	67
8.12.12	Coefficient a2 data register bits 15:8	68
8.12.13	Coefficient a2 data register bits 7:0	68
8.12.14	Coefficient b0 data register bits 23:16	68
8.12.15	Coefficient b0 data register bits 15:8	68
8.12.16	Coefficient b0 data register bits 7:0	68
8.12.17	Coefficient write/read control register	68
8.12.18	User-defined EQ	71
8.12.19	Pre-scale	71
8.12.20	Post-scale	71
8.12.21	Overcurrent post-scale	72
8.13	Variable max. power correction registers (addr 0x27 - 0x28)	73
8.14	Variable distortion compensation registers (addr 0x29 - 0x2A)	73
8.15	Fault detect recovery constant registers (addr 0x2B - 0x2C)	74
8.16	Device status register (addr 0x2D)	74

8.17	EQ coefficients and DRC configuration register (addr 0x31)	75
8.18	Extended configuration register (addr 0x36)	76
8.18.1	Dual-band DRC	76
8.18.2	EQ DRC mode	77
8.18.3	Extended post-scale range	78
8.18.4	Extended attack rate	78
8.18.5	Extended biquad selector	79
8.19	EQ soft-volume configuration registers (addr 0x37 - 0x38)	79
8.20	DRC RMS filter coefficients (addr 0x39-0x3E)	80
8.21	Extra volume resolution configuration registers (address 0x3F)	81
8.22	Quantization error noise correction (address 0x48)	82
8.23	Extended coefficient range up to -4...4 (address 0x49, 0x4A)	83
8.24	Miscellaneous registers (address 0x4B, 0x4C)	84
8.24.1	Rate powerdown enable (RPDNEN) bit (address 0x4B, bit D7)	84
8.24.2	Noise-shaping on DC cut filter enable (NSHHPEN) bit (address 0x4B, bit D6)	84
8.24.3	Bridge immediate off (BRIDGOFF) bit (address 0x4B, bit D5)	84
8.24.4	Channel PWM enable (CPWMEN) bit (address 0x4B, bit D2)	85
8.24.5	Power-down delay selector (PNDLSL[2:0]) bits (address 0x4C, bit D4, D3, D2)	85
9	PowerSSO-36 slug-down package thermal characteristics (STA350BW)	
	86
10	Package mechanical data	87
11	Ordering information	92
12	Revision history	93

List of tables

Table 1.	Pin description	14
Table 2.	Absolute maximum ratings	16
Table 3.	Thermal data	16
Table 4.	Recommended operating conditions	17
Table 5.	Electrical specifications - digital section	17
Table 6.	Electrical specifications - power section	18
Table 7.	Timing parameters for slave mode	28
Table 8.	Register summary	34
Table 9.	Master clock select	37
Table 10.	Input sampling rates	37
Table 11.	Internal interpolation ratio	38
Table 12.	IR bit settings as a function of input sample rate	38
Table 13.	Thermal warning recovery bypass	38
Table 14.	Thermal warning adjustment bypass	38
Table 15.	Fault detect recovery bypass	39
Table 16.	Serial audio input interface	39
Table 17.	Serial data first bit	40
Table 18.	Support serial audio input formats for MSB-first (SAIFB = 0)	40
Table 19.	Supported serial audio input formats for LSB-first (SAIFB = 1)	41
Table 20.	Delay serial clock enable	42
Table 21.	Channel input mapping	42
Table 22.	FFX power output mode	43
Table 23.	Output modes	43
Table 24.	FFX compensating pulse size bits	43
Table 25.	Compensating pulse size	43
Table 26.	Overcurrent warning bypass	44
Table 27.	High-pass filter bypass	44
Table 28.	De-emphasis	44
Table 29.	DSP bypass	45
Table 30.	Post-scale link	45
Table 31.	Biquad coefficient link	45
Table 32.	Dynamic range compression/anti-clipping bit	45
Table 33.	Zero-detect mute enable	46
Table 34.	Sub-mix mode enable	46
Table 35.	Max. power correction variable	46
Table 36.	Max. power correction	46
Table 37.	Noise-shaper bandwidth selection	47
Table 38.	AM mode enable	47
Table 39.	PWM speed mode	47
Table 40.	Distortion compensation variable enable	47
Table 41.	Zero-crossing volume enable	47
Table 42.	Soft-volume update enable	48
Table 43.	Output configuration	48
Table 44.	Output configuration engine selection	48
Table 45.	Invalid input detect mute enable	54
Table 46.	Binary output mode clock loss detection	54
Table 47.	LRCK double trigger protection	54
Table 48.	Auto EAPD on clock loss	54

Table 49.	IC power-down	54
Table 50.	External amplifier power-down	55
Table 51.	Line output configuration	55
Table 52.	Master volume offset as a function of MV[7:0]	56
Table 53.	Channel volume as a function of CxV[7:0]	57
Table 54.	Audio preset gain compression/limiters selection for AMGC[3:2] = 00	57
Table 55.	AM interference frequency switching bits	58
Table 56.	Audio preset AM switching frequency selection	58
Table 57.	Bass management crossover	58
Table 58.	Bass management crossover frequency	58
Table 59.	Tone control bypass	59
Table 60.	EQ bypass	60
Table 61.	Binary output enable registers	60
Table 62.	Channel limiter mapping as a function of CxLS bits	60
Table 63.	Channel output mapping as a function of CxOM bits	60
Table 64.	Tone control boost/cut as a function of BTC and TTC bits	61
Table 65.	Limiter attack rate as a function of LxA bits	63
Table 66.	Limiter release rate as a function of LxR bits	63
Table 67.	Limiter attack threshold as a function of LxAT bits (AC-mode)	64
Table 68.	Limiter release threshold as a function of LxRT bits (AC-mode)	64
Table 69.	Limiter attack threshold as a function of LxAT bits (DRC -mode)	65
Table 70.	Limiter release threshold as a as a function of LxRT bits (DRC-mode)	65
Table 71.	RAM block for biquads, mixing, scaling and bass management	72
Table 72.	Status register bits	74
Table 73.	EQ RAM select	75
Table 74.	Anti-clipping and DRC preset	75
Table 75.	Anti-clipping selection for AMGC[3:2] = 01	75
Table 76.	Biquad filter settings	83
Table 77.	PowerSSO-36 EPD mechanical data	88
Table 78.	PowerSSO36 exposed pad up mechanical data	90
Table 79.	Order code	92
Table 80.	Document revision history	93

List of figures

Figure 1.	Block diagram	13
Figure 2.	Pin connection PowerSSO-36 (top view)	14
Figure 3.	Test circuit	19
Figure 4.	Power-on sequence	20
Figure 5.	Power-off sequence for pop-free turn-off	20
Figure 6.	Demonstration board, 2.0 channels	21
Figure 7.	Mono parallel BTL schematic	22
Figure 8.	THD+N vs. output power ($V_{CC} = 25\text{ V}$, load = 6 Ω)	23
Figure 9.	THD+N vs. output power ($V_{CC} = 18\text{ V}$, load = 8 Ω)	23
Figure 10.	Output power vs. V_{CC} (load = 6 Ω)	24
Figure 11.	Output power vs. V_{CC} (load = 8 Ω)	24
Figure 12.	Efficiency vs. output power ($V_{CC} = 25\text{ V}$, load = 6 Ω)	25
Figure 13.	Efficiency vs. output power ($V_{CC} = 25\text{ V}$, load = 8 Ω)	25
Figure 14.	THD+N vs. output power ($V_{CC} = 25\text{ V}$, load = 3 Ω)	26
Figure 15.	Output power vs. V_{CC} (load = 3 Ω)	26
Figure 16.	Efficiency vs. output power ($V_{CC} = 26\text{ V}$, load = 3 Ω)	27
Figure 17.	Efficiency vs. output power ($V_{CC} = 18\text{ V}$, load = 3 Ω)	27
Figure 18.	Timing diagram for SAI interface	28
Figure 19.	Left and right processing - part 1	29
Figure 20.	Processing - part 2	30
Figure 21.	Write mode sequence	33
Figure 22.	Read mode sequence	33
Figure 23.	OCFG = 00 (default value)	49
Figure 24.	OCFG = 01	49
Figure 25.	OCFG = 10	49
Figure 26.	OCFG = 11	50
Figure 27.	Output mapping scheme	50
Figure 28.	2.0 channels (OCFG = 00) PWM slots	51
Figure 29.	2.1 channels (OCFG = 01) PWM slots	52
Figure 30.	2.1 channels (OCFG = 10) PWM slots	53
Figure 31.	Basic limiter and volume flow diagram	63
Figure 32.	B ² DRC scheme	76
Figure 33.	EQDRC scheme	78
Figure 34.	Extra resolution volume scheme	81
Figure 35.	Biquad filter structure with quantization error noise-shaping	83
Figure 36.	Double-layer PCB with 2 copper ground areas and 24 via holes	86
Figure 37.	PowerSSO-36 power derating curve	86
Figure 38.	PowerSSO-36 EPD package outline	88
Figure 39.	PowerSSO36 (slug-up) package outline	90

List of tables

Table 1.	Pin description	14
Table 2.	Absolute maximum ratings	16
Table 3.	Thermal data	16
Table 4.	Recommended operating conditions	17
Table 5.	Electrical specifications - digital section	17
Table 6.	Electrical specifications - power section	18
Table 7.	Timing parameters for slave mode	28
Table 8.	Register summary	34
Table 9.	Master clock select	37
Table 10.	Input sampling rates	37
Table 11.	Internal interpolation ratio	38
Table 12.	IR bit settings as a function of input sample rate	38
Table 13.	Thermal warning recovery bypass	38
Table 14.	Thermal warning adjustment bypass	38
Table 15.	Fault detect recovery bypass	39
Table 16.	Serial audio input interface	39
Table 17.	Serial data first bit	40
Table 18.	Support serial audio input formats for MSB-first (SAIFB = 0)	40
Table 19.	Supported serial audio input formats for LSB-first (SAIFB = 1)	41
Table 20.	Delay serial clock enable	42
Table 21.	Channel input mapping	42
Table 22.	FFX power output mode	43
Table 23.	Output modes	43
Table 24.	FFX compensating pulse size bits	43
Table 25.	Compensating pulse size	43
Table 26.	Overcurrent warning bypass	44
Table 27.	High-pass filter bypass	44
Table 28.	De-emphasis	44
Table 29.	DSP bypass	45
Table 30.	Post-scale link	45
Table 31.	Biquad coefficient link	45
Table 32.	Dynamic range compression/anti-clipping bit	45
Table 33.	Zero-detect mute enable	46
Table 34.	Sub-mix mode enable	46
Table 35.	Max. power correction variable	46
Table 36.	Max. power correction	46
Table 37.	Noise-shaper bandwidth selection	47
Table 38.	AM mode enable	47
Table 39.	PWM speed mode	47
Table 40.	Distortion compensation variable enable	47
Table 41.	Zero-crossing volume enable	47
Table 42.	Soft-volume update enable	48
Table 43.	Output configuration	48
Table 44.	Output configuration engine selection	48
Table 45.	Invalid input detect mute enable	54
Table 46.	Binary output mode clock loss detection	54
Table 47.	LRCK double trigger protection	54
Table 48.	Auto EAPD on clock loss	54

Table 49.	IC power-down	54
Table 50.	External amplifier power-down	55
Table 51.	Line output configuration	55
Table 52.	Master volume offset as a function of MV[7:0]	56
Table 53.	Channel volume as a function of CxV[7:0]	57
Table 54.	Audio preset gain compression/limiters selection for AMGC[3:2] = 00	57
Table 55.	AM interference frequency switching bits	58
Table 56.	Audio preset AM switching frequency selection	58
Table 57.	Bass management crossover	58
Table 58.	Bass management crossover frequency	58
Table 59.	Tone control bypass	59
Table 60.	EQ bypass	60
Table 61.	Binary output enable registers	60
Table 62.	Channel limiter mapping as a function of CxLS bits	60
Table 63.	Channel output mapping as a function of CxOM bits	60
Table 64.	Tone control boost/cut as a function of BTC and TTC bits	61
Table 65.	Limiter attack rate as a function of LxA bits	63
Table 66.	Limiter release rate as a function of LxR bits	63
Table 67.	Limiter attack threshold as a function of LxAT bits (AC-mode)	64
Table 68.	Limiter release threshold as a function of LxRT bits (AC-mode)	64
Table 69.	Limiter attack threshold as a function of LxAT bits (DRC -mode)	65
Table 70.	Limiter release threshold as a as a function of LxRT bits (DRC-mode)	65
Table 71.	RAM block for biquads, mixing, scaling and bass management	72
Table 72.	Status register bits	74
Table 73.	EQ RAM select	75
Table 74.	Anti-clipping and DRC preset	75
Table 75.	Anti-clipping selection for AMGC[3:2] = 01	75
Table 76.	Biquad filter settings	83
Table 77.	PowerSSO-36 EPD mechanical data	88
Table 78.	PowerSSO36 exposed pad up mechanical data	90
Table 79.	Order code	92
Table 80.	Document revision history	93

1 Description

The STA350Bx is an integrated solution of digital audio processing, digital amplifier control, and FFX-power output stage, thereby creating a high-power single-chip FFX™ solution comprising high-quality, high-efficiency, and all-digital amplification.

The STA350Bx is based on an FFX (fully flexible amplification) processor, a proprietary technology from STMicroelectronics. FFX is the evolution and the enlargement of ST's ternary technology: the new processor can be configured to work in ternary, binary, binary differential and phase-shift PWM modulation schemes.

The STA350Bx contains the ternary, binary and binary differential implementations, a subset of the full capability of the FFX processor.

The STA350Bx is part of the Sound Terminal® family that provides full digital audio streaming to the speaker, offering cost effectiveness, low power dissipation and sound enrichment.

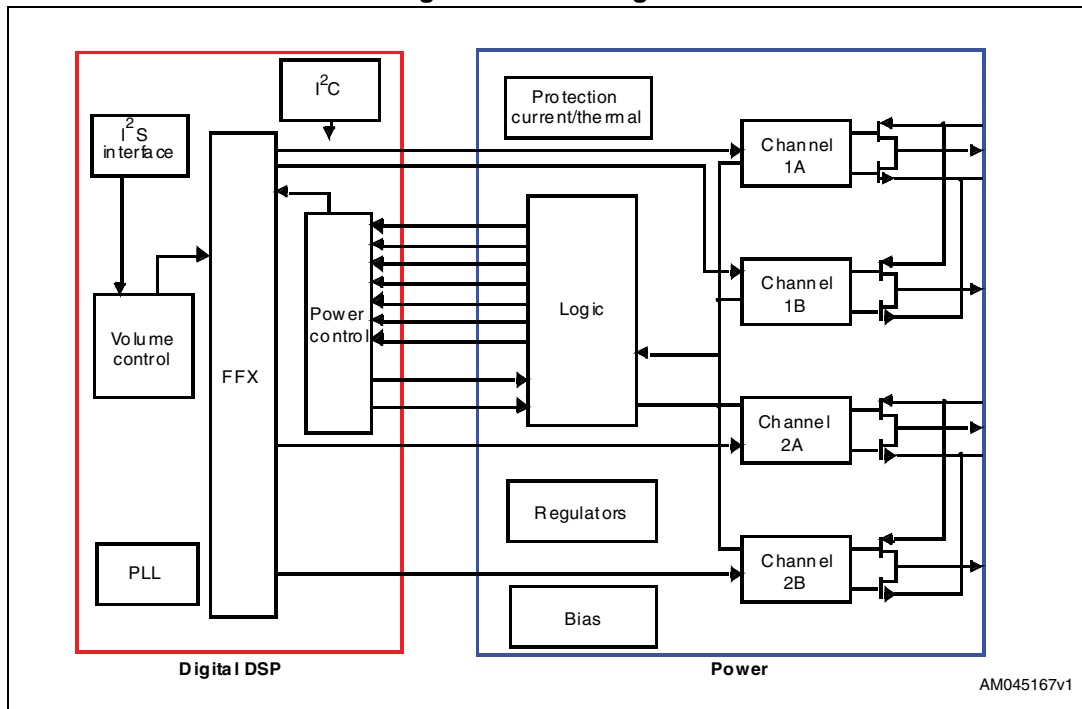
The STA350Bx power section consists of four independent half-bridges. These can be configured via digital control to operate in different modes. 2.1 channels can be provided by two half-bridges and a single full-bridge, providing up to $2 \times 18 \text{ W} + 1 \times 40 \text{ W}$ of music output power, by using standard 4 and 8 Ω speakers. Two channels can be provided by two full-bridges, providing up to $2 \times 50 \text{ W}$ of music power, by using standard 6 Ω speaker or $2 \times 40 \text{ W}$ by using 8 Ω speakers at 25 V. The IC can also be configured as 2.1 channels with $2 \times 40 \text{ W}$ provided by the device and external power for FFX power drive. If configured as mono-BTL, the latter is capable of providing up to $1 \times 90 \text{ W}$ on a standard 3 Ω load or $1 \times 75 \text{ W}$ by using a 4 Ω , setting the supply voltage at 25 V. Please refer to the package thermal characteristics and application suggestions for more details.

Also provided in the STA350Bx are a full assortment of digital processing features. This includes up to 8 programmable biquads (EQ) per channel. Special digital signal processing techniques are available in order to manage low-frequency quantization noise in case of very low frequency cutoff filter thresholds. The coefficient range $-4..4$ allows the easy implementation of high shelf filters. Available presets allow the advantage of earlier time-to-market by substantially reducing the amount of software development needed for certain functions. This includes audio preset volume loudness, preset volume curves and preset EQ settings. There are also new advanced AM radio interference reduction modes. Dual-band DRC dynamically equalizes the system to provide speaker linear frequency response regardless of output power level. This feature independently processes the two bands, controlling dynamically the output power level in each band and so providing better sound clarity.

The serial audio data input interface accepts all possible formats, including the popular I²S format. Three channels of FFX processing are provided. This high-quality conversion from PCM audio to FFX PWM switching waveform provides over 100 dB SNR and dynamic range.

1.1 Block diagram

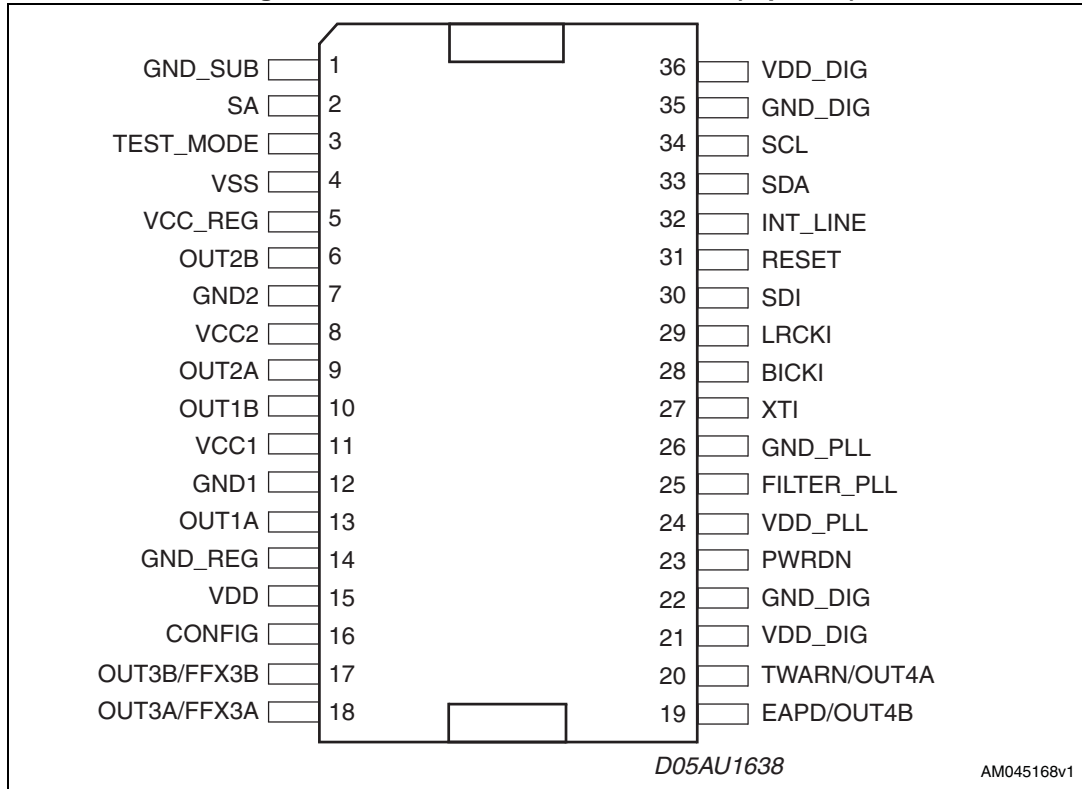
Figure 1. Block diagram



2 Pin connections

2.1 Connection diagram

Figure 2. Pin connection PowerSSO-36 (top view)



2.2 Pin description

Table 1. Pin description

Pin	Type	Name	Description
1	GND	GND_SUB	Substrate ground
2	I	SA	I ² C select address (pull-down)
3	I	TEST_MODE	This pin must be connected to ground (pull-down)
4	I/O	VSS	Internal reference at Vcc-3.3 V
5	I/O	VCC_REG	Internal Vcc reference
6	O	OUT2B	Output half-bridge 2B
7	GND	GND2	Power negative supply
8	Power	VCC2	Power positive supply
9	O	OUT2A	Output half-bridge 2A
10	O	OUT1B	Output half-bridge 1B

Table 1. Pin description (continued)

Pin	Type	Name	Description
11	Power	VCC1	Power positive supply
12	GND	GND1	Power negative supply
13	O	OUT1A	Output half-bridge 1A
14	GND	GND_REG	Internal ground reference
15	Power	VDD	Internal 3.3 V reference voltage
16	I	CONFIG	Parallel mode command
17	O	OUT3B/FFX3B	PWM out CH3B / external bridge driver
18	O	OUT3A/FFX3A	PWM out CH3A / external bridge driver
19	O	EAPD/OUT4B	Power-down for external bridge / PWM out CH4B
20	I/O	TWARN/OUT4A	Thermal warning from external bridge (pull-up when input) / PWM out CH4A
21	Power	VDD_DIG	Digital supply voltage
22	GND	GND_DIG	Digital ground
23	I	PWRDN	Power down (pull-up)
24	Power	VDD_PLL	Positive supply for PLL
25	I	FILTER_PLL	Connection to PLL filter
26	GND	GND_PLL	Negative supply for PLL
27	I	XTI	PLL input clock
28	I	BICKI	I ² S serial clock
29	I	LRCKI	I ² S left/right clock
30	I	SDI	I ² S serial data channels 1 and 2
31	I	RESET	Reset (pull-up)
32	O	INT_LINE	Fault interrupt
33	I/O	SDA	I ² C serial data
34	I	SCL	I ² C serial clock
35	GND	GND_DIG	Digital ground
36	Power	VDD_DIG	Digital supply voltage

3 Electrical specifications

3.1 Absolute maximum ratings

Table 2. Absolute maximum ratings

Symbol	Parameter	Min.	Typ.	Max.	Unit
V _{CC}	Power supply voltage (VCCxA, VCCxB)	-0.3		30	V
VDD_DIG	Digital supply voltage	-0.3		4	V
VDD_PLL	PLL supply voltage	-0.3		4	
T _{op}	Operating junction temperature	-20		150	°C
T _{stg}	Storage temperature	-40		150	°C

Warning: Stresses beyond those listed in [Table 2](#) above may cause permanent damage to the device. These are stress ratings only, and functional operation of the device at these or any other conditions beyond those indicated under “Recommended operating conditions” are not implied. Exposure to AMR conditions for extended periods may affect device reliability. In the real application, power supplies with nominal values rated within the recommended operating conditions may rise beyond the maximum operating conditions for a short time when no or very low current is sunk (amplifier in mute state). In this case the reliability of the device is guaranteed, provided that the absolute maximum ratings are not exceeded.

3.2 Thermal data

Table 3. Thermal data

Symbol	Parameter	Min.	Typ.	Max.	Unit
R _{th j-case}	Thermal resistance junction-case (thermal pad)			1.5	°C/W
T _{th-sdj}	Thermal shutdown junction temperature		150		°C
T _{th-w}	Thermal warning temperature		130		°C
T _{th-sdh}	Thermal shutdown hysteresis		20		°C
R _{th j-amb}	Thermal resistance junction-ambient ⁽¹⁾				

1. See [Section 9: PowerSSO-36 slug-down package thermal characteristics \(STA350BW\)](#) on page 86 for details.

3.3 Recommended operating conditions

Table 4. Recommended operating conditions

Symbol	Parameter	Min.	Typ.	Max.	Unit
V _{cc}	Power supply voltage (VCCxA, VCCxB)	5		26	V
VDD_DIG	Digital supply voltage	2.7	3.3	3.6	V
VDD_PLL	PLL supply voltage	2.7	3.3	3.6	V
T _{amb}	Ambient temperature	-20		+85	°C

3.4 Electrical specifications for the digital section

Table 5. Electrical specifications - digital section

Symbol	Parameter	Conditions	Min.	Typ.	Max.	Unit
I _{il}	Low-level input current without pull-up/down device	V _i = 0 V		1	5	μA
I _{ih}	High-level input current without pull-up/down device	V _i = VDD_DIG = 3.6 V		1	5	μA
V _{il}	Low-level input voltage				0.2 * VDD_DIG	V
V _{ih}	High-level input voltage		0.8 * VDD_DIG			V
V _{ol}	Low-level output voltage	I _{ol} =2 mA			0.4 * VDD_DIG	V
V _{oh}	High-level output voltage	I _{oh} =2 mA	0.8 * VDD_DIG			V
I _{pu}	Pull-up/down current		25	66	125	μA
R _{pu}	Equivalent pull-up/down resistance			50		kΩ

3.5 Electrical specifications for the power section

The specifications given in this section are valid for the operating conditions: $V_{CC} = 24\text{ V}$, $f = 1\text{ kHz}$, $f_{sw} = 384\text{ kHz}$, $T_{amb} = 25^\circ\text{ C}$ and $R_L = 8\ \Omega$, unless otherwise specified.

Table 6. Electrical specifications - power section

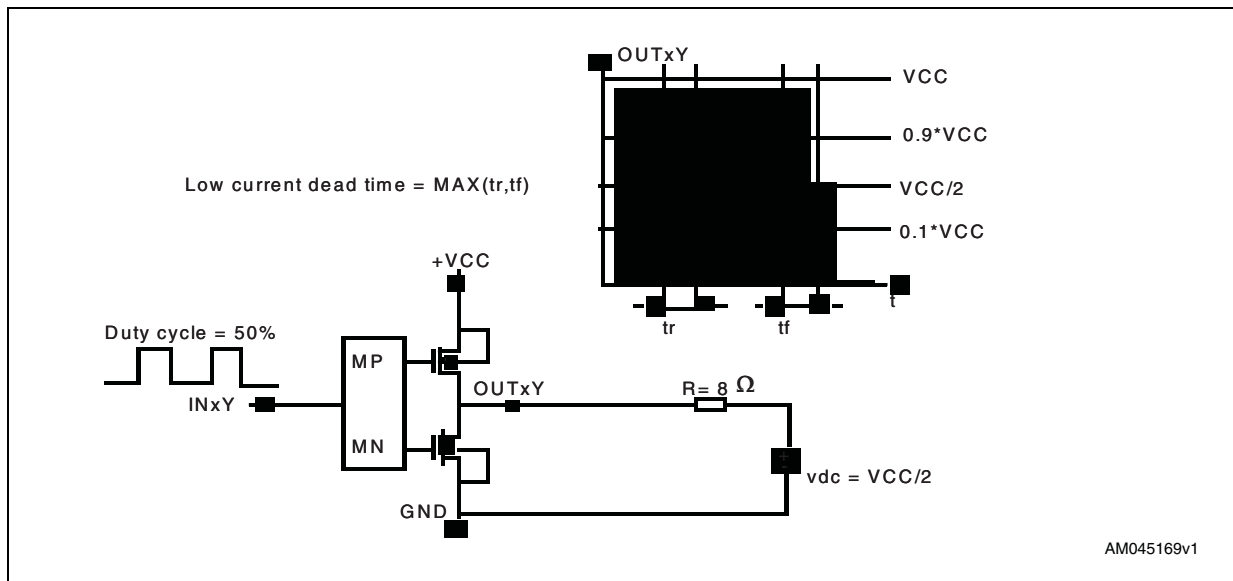
Symbol	Parameter	Conditions	Min.	Typ.	Max.	Unit
Po	Continuous output power, BTL, ternary mode	THD = 1%		27		W
		THD = 10%		36		
	Continuous output power SE, binary mode, $R_L = 4\ \Omega$	THD = 1%		12		W
		THD = 10%		15.5		
R _{dsON}	Power P-channel/N-channel MOSFET (total bridge)	$I_d = 1.5\text{ A}$		180	250	m Ω
I _{dss}	Power P-channel/N-channel leakage	$V_{CC} = 20\text{ V}$			10	μA
I _{LDT}	Low current dead time (static)	Resistive load ⁽¹⁾		8	15	ns
I _{HDT}	High current dead time (dynamic)	I load ⁽¹⁾ = 1.5 A		15	30	ns
t _r	Rise time	Resistive load ⁽¹⁾		10	18	ns
t _f	Fall time	Resistive load ⁽¹⁾		10	18	ns
V _{cc}	Supply voltage operating voltage		5		26	V
I _{vcc}	Supply current from Vcc in power-down	PWRDN = 0		1		μA
	Supply current from Vcc in operation	PCM input signal = -60 dBfs, Switching frequency = 384 kHz, No LC filters		52	60	mA
I _{vdd}	Supply current FFX processing (reference only)	Internal clock = 49.152 MHz		55	70	mA
I _{lim}	Overcurrent limit	⁽²⁾	3.0	3.8	4.0	A
I _{sc}	Short-circuit protection	Hi-Z output	4.0	5.0		A
UVL	Undervoltage protection				4.3	V
OVP	Overvoltage protection			29		V
t _{min}	Output minimum pulse width	No load		100		ns
DR	Dynamic range			100		dB
SNR	Signal-to-noise ratio, ternary mode	A-Weighted		100		dB
	Signal-to-noise ratio binary mode			90		dB
THD+N	Total harmonic distortion + noise	FFX stereo mode, Po = 1 W f = 1 kHz		0.09		%

Table 6. Electrical specifications - power section (continued)

Symbol	Parameter	Conditions	Min.	Typ.	Max.	Unit
X_{TALK}	Crosstalk	FFX stereo mode, <5 kHz One channel driven at 1 W Other channel measured		80		dB
PSRR	Power Supply Rejection Ratio	FFX stereo mode, <5 kHz VRipple01V RMS Audio input = dither only		80		dB
η	Peak efficiency, FFX mode	$P_o = 2 \times 25 \text{ W}$ into 8Ω		90		%
	Peak efficiency, binary modes	$P_o = 2 \times 10 \text{ W}$ into $4 \Omega + 1 \times 20 \text{ W}$ into 8Ω		86		

1. Refer to [Figure 3: Test circuit](#).
2. Limit current if the register (OCRB [Section 8.3.3](#)) overcurrent warning detect adjustment bypass is enabled. When disabled refer to the I_{sc} .

Figure 3. Test circuit



3.6 Power-on/off sequence

Figure 4. Power-on sequence

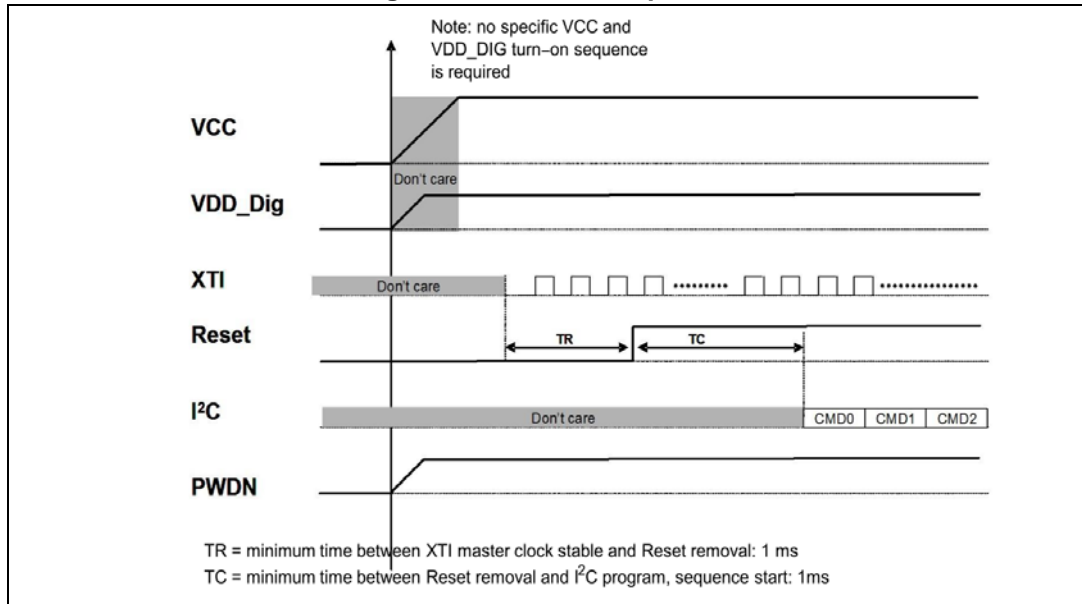
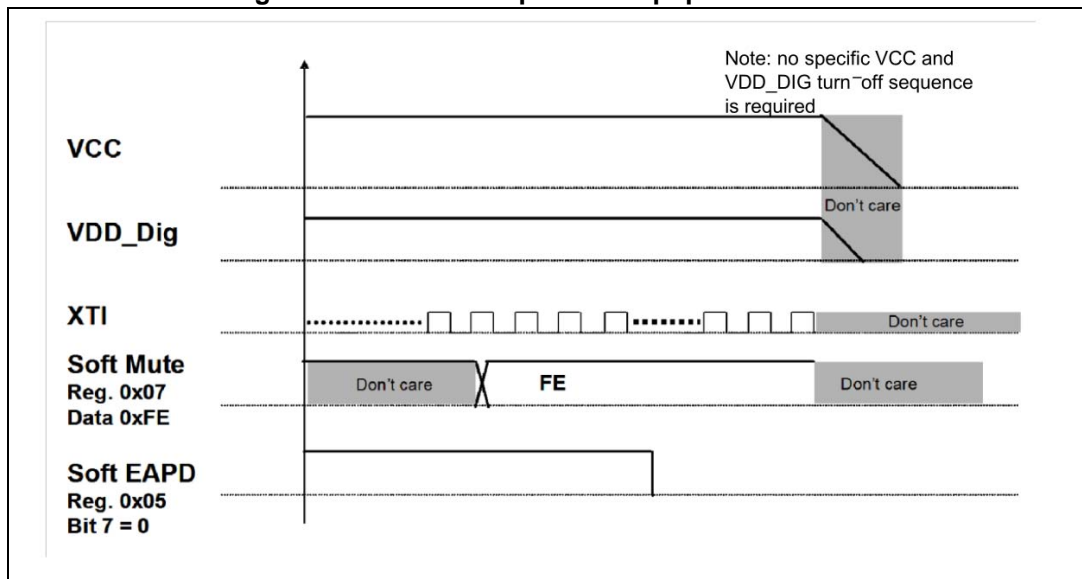


Figure 5. Power-off sequence for pop-free turn-off

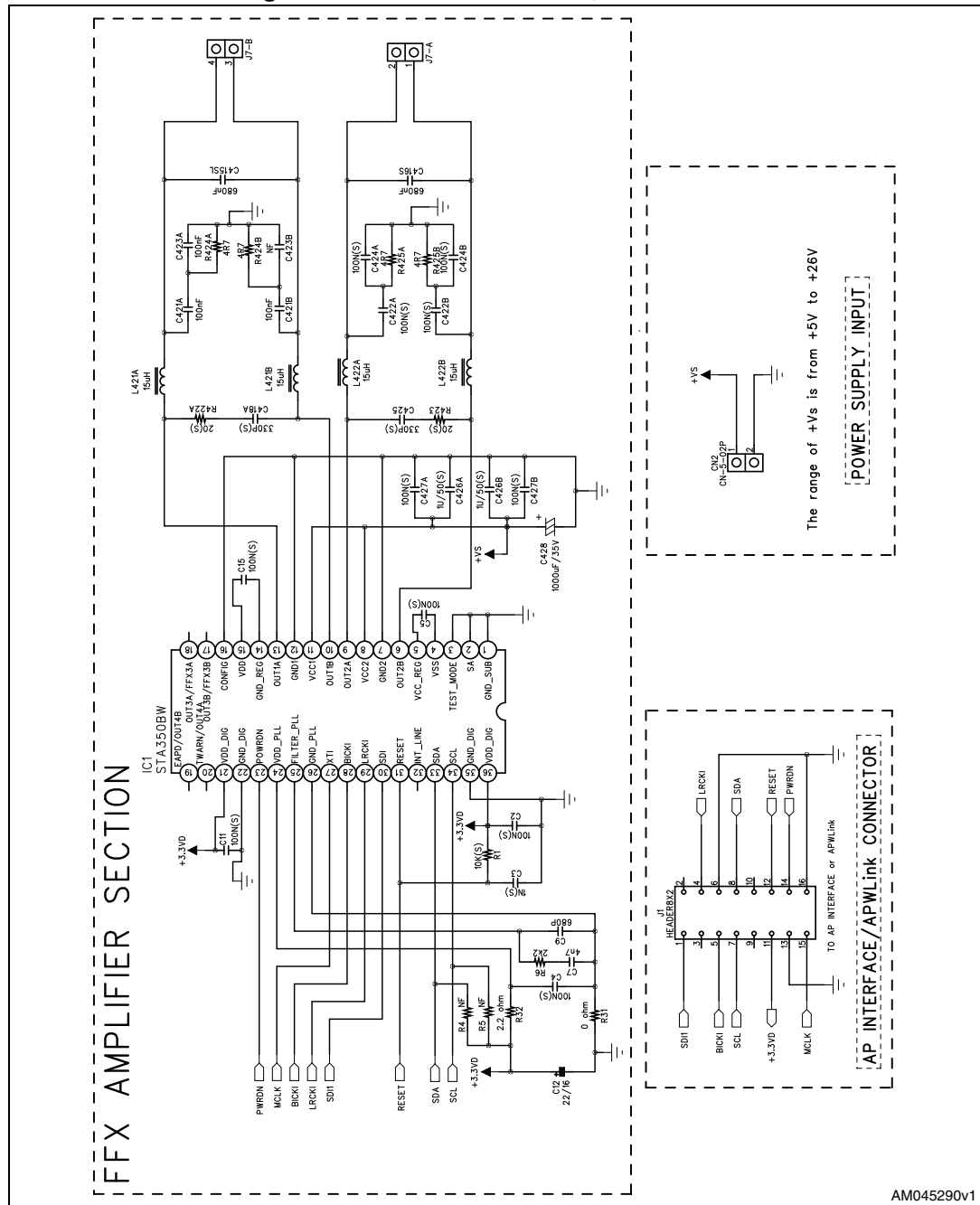


4 Characterization curves

The following characterization curves have been made using the STA350Bx demonstration board with 2.0 channels (refer to the schematic in [Figure 8](#)) under the following test conditions:

$V_{CC} = 25\text{ V}$, $f = 1\text{ kHz}$, $f_{SW} = 384\text{ kHz}$, $T_{amb} = 25\text{ }^{\circ}\text{C}$ and $R_L = 6\text{ }\Omega$, unless otherwise specified.

Figure 6. Demonstration board, 2.0 channels



AM045290v1

Figure 7. Mono parallel BTL schematic

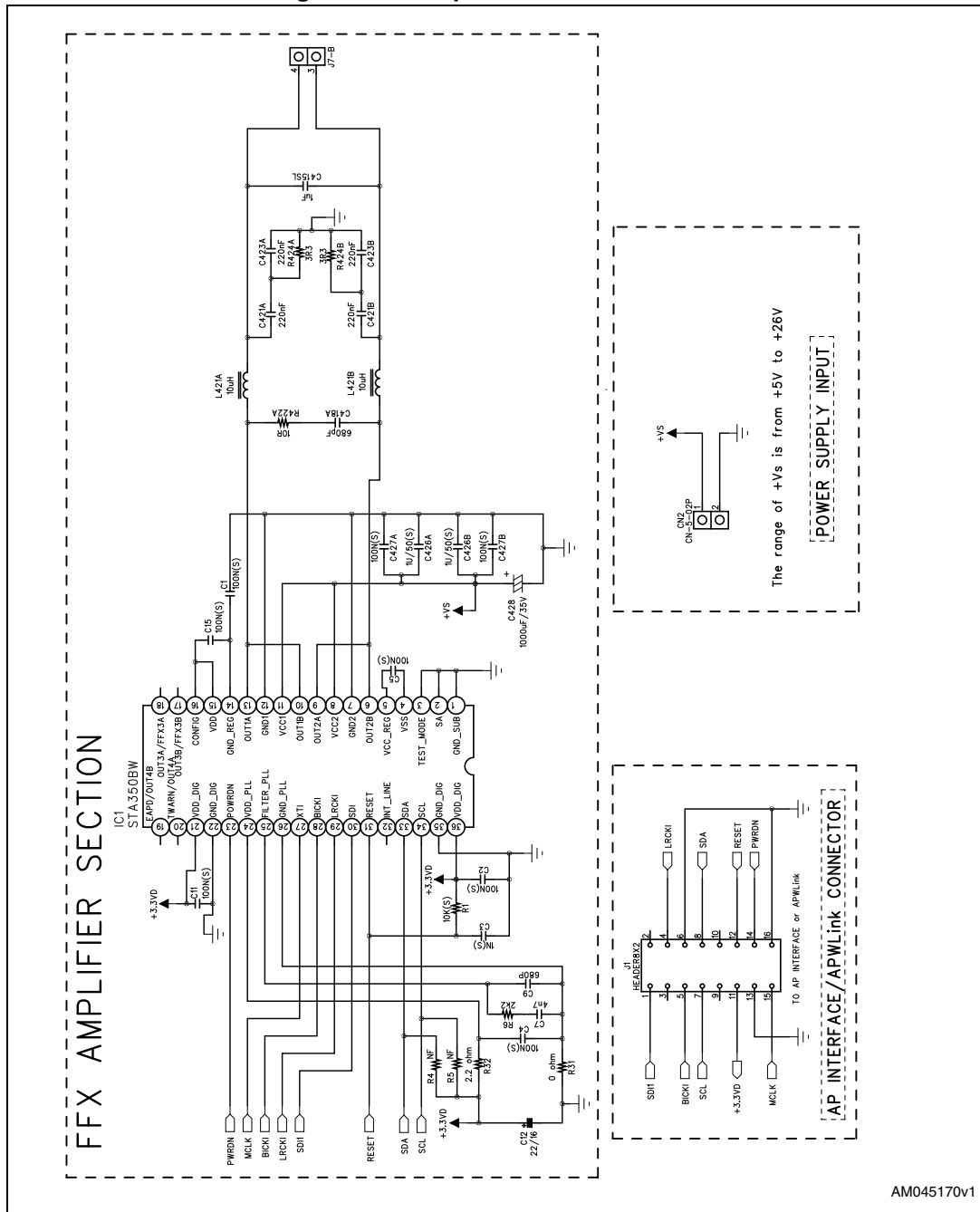


Figure 8. THD+N vs. output power ($V_{CC} = 25\text{ V}$, load = $6\ \Omega$)

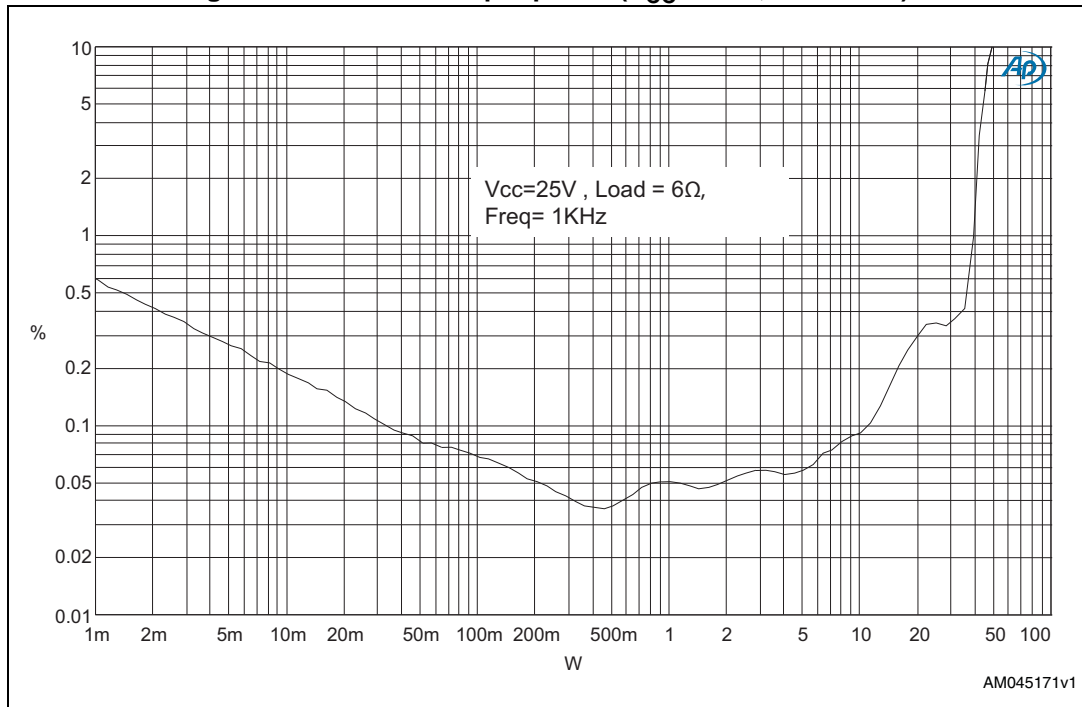


Figure 9. THD+N vs. output power ($V_{CC} = 18\text{ V}$, load = $8\ \Omega$)

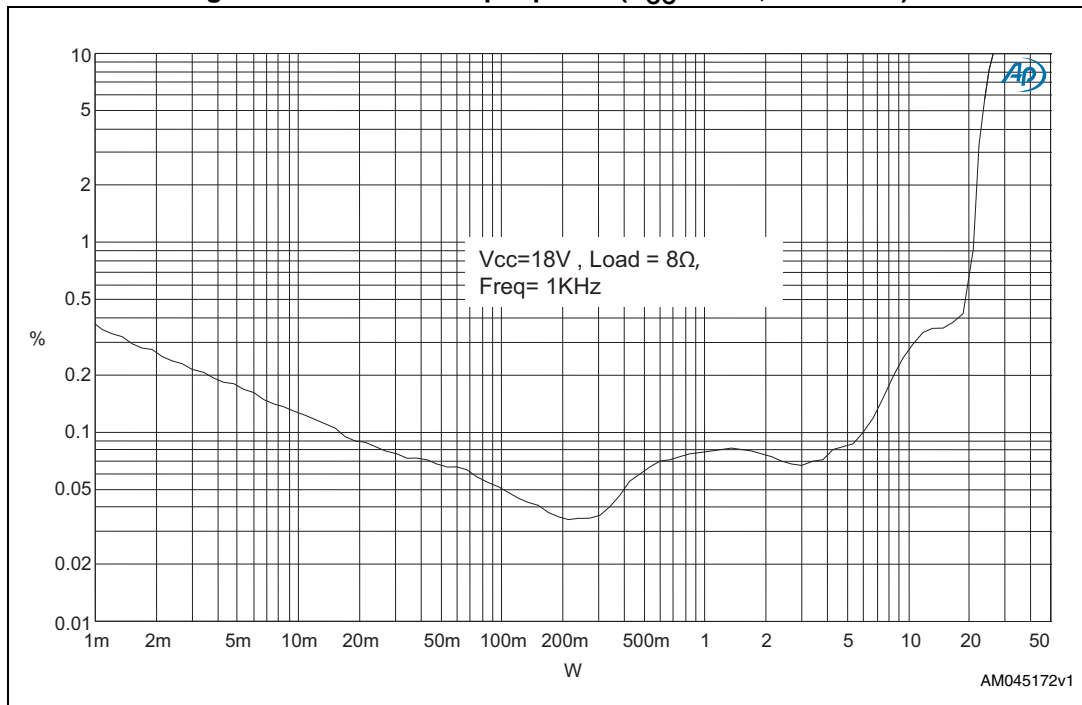


Figure 10. Output power vs. V_{CC} (load = 6 Ω)

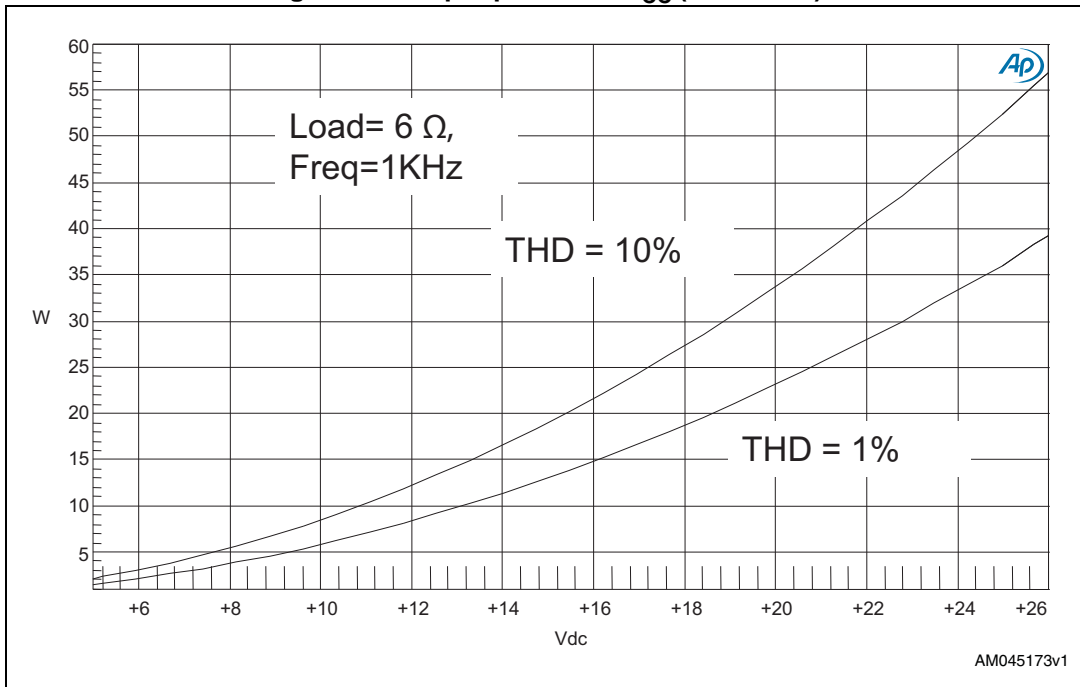


Figure 11. Output power vs. V_{CC} (load = 8 Ω)

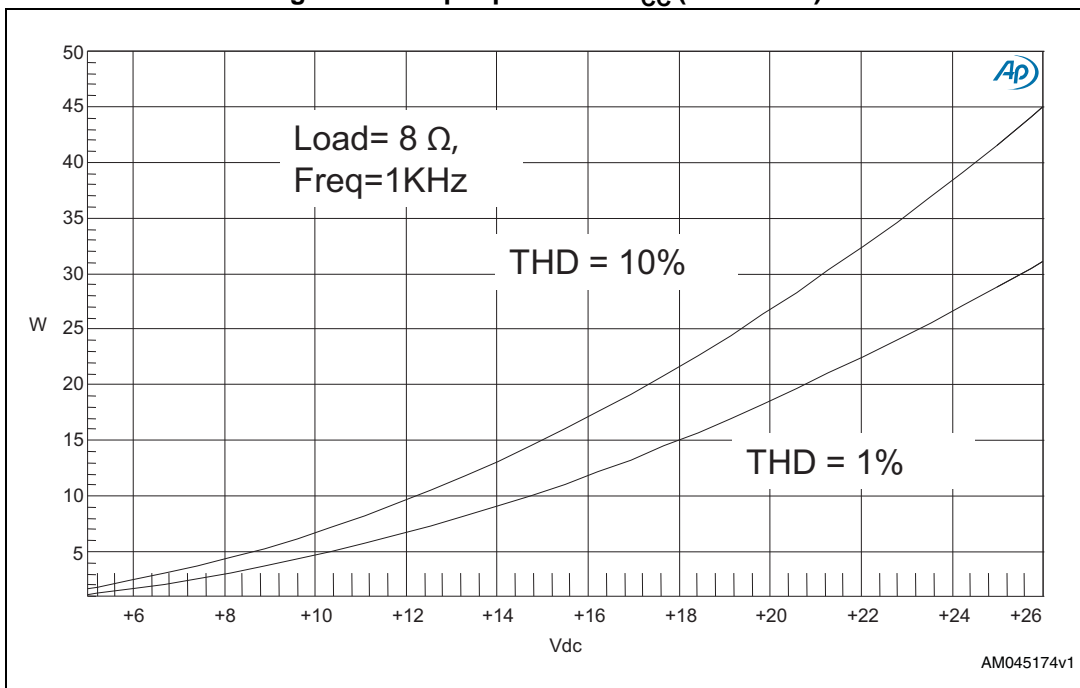


Figure 12. Efficiency vs. output power ($V_{CC} = 25\text{ V}$, load = $6\ \Omega$)

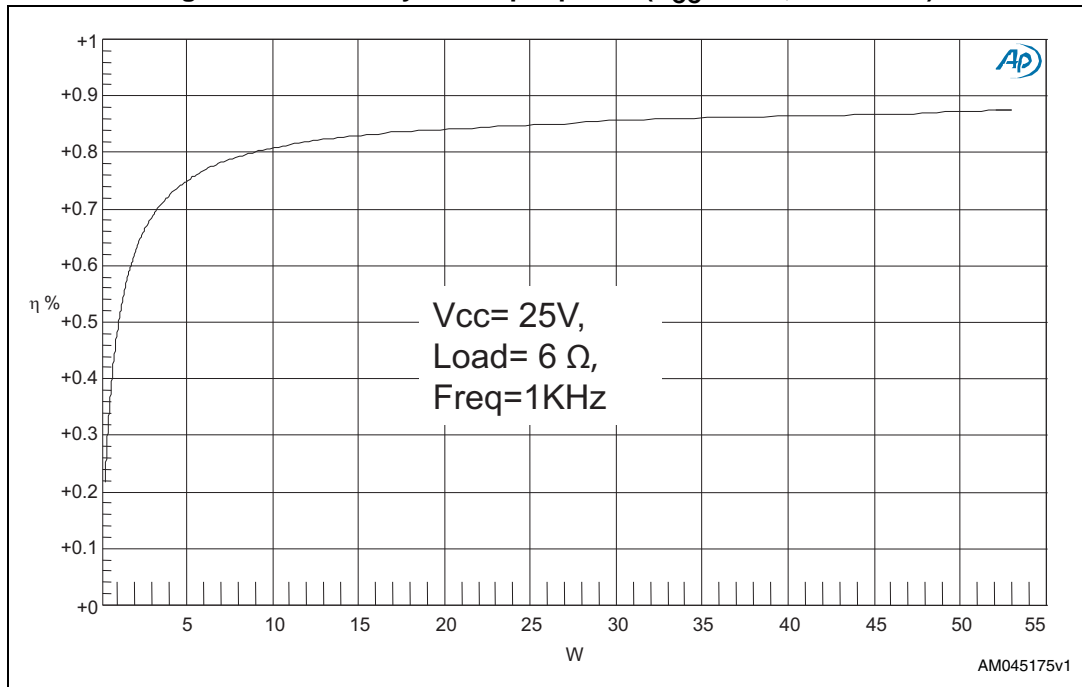
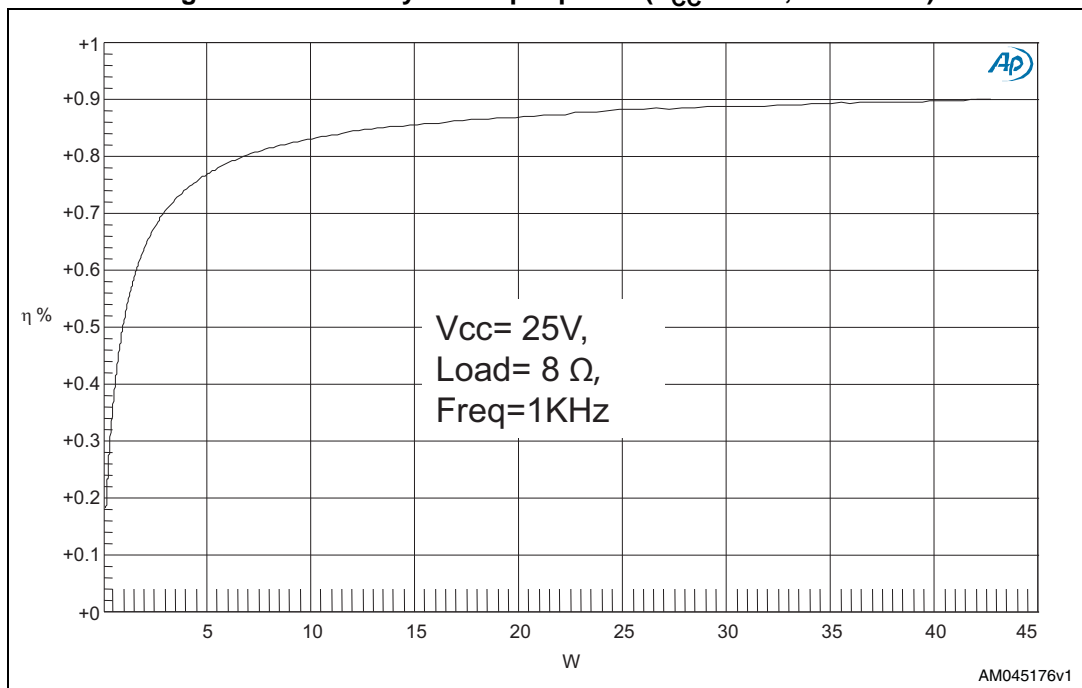


Figure 13. Efficiency vs. output power ($V_{CC} = 25\text{ V}$, load = $8\ \Omega$)



4.1 Mono parallel BTL characteristics

Figure 14. THD+N vs. output power ($V_{CC} = 25\text{ V}$, load = $3\ \Omega$)

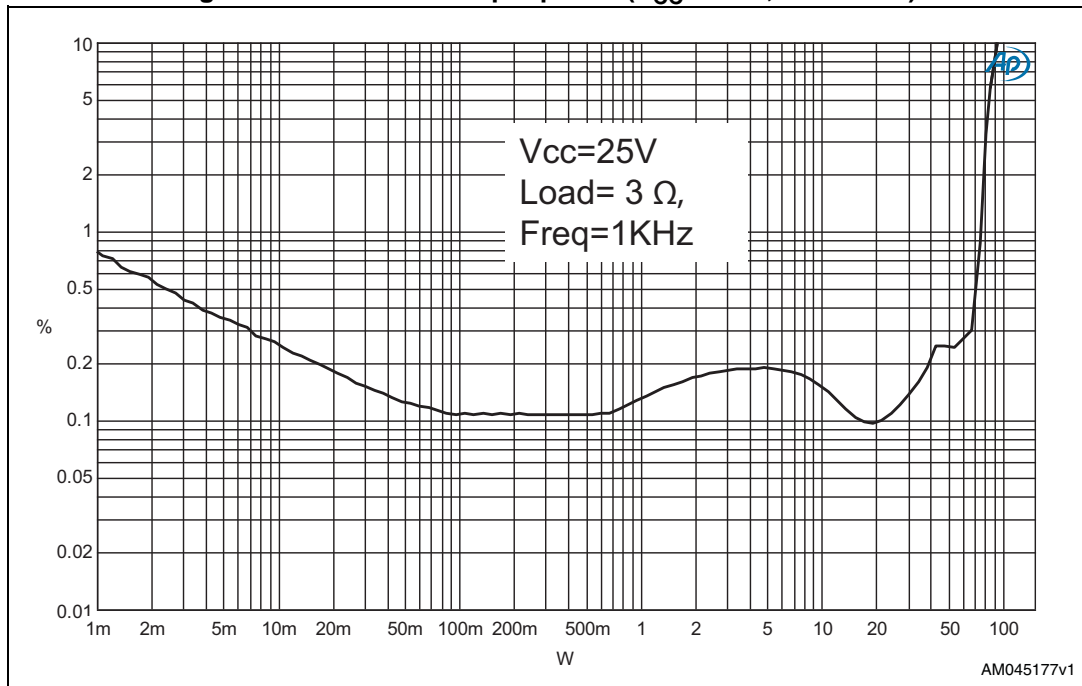


Figure 15. Output power vs. V_{CC} (load = $3\ \Omega$)

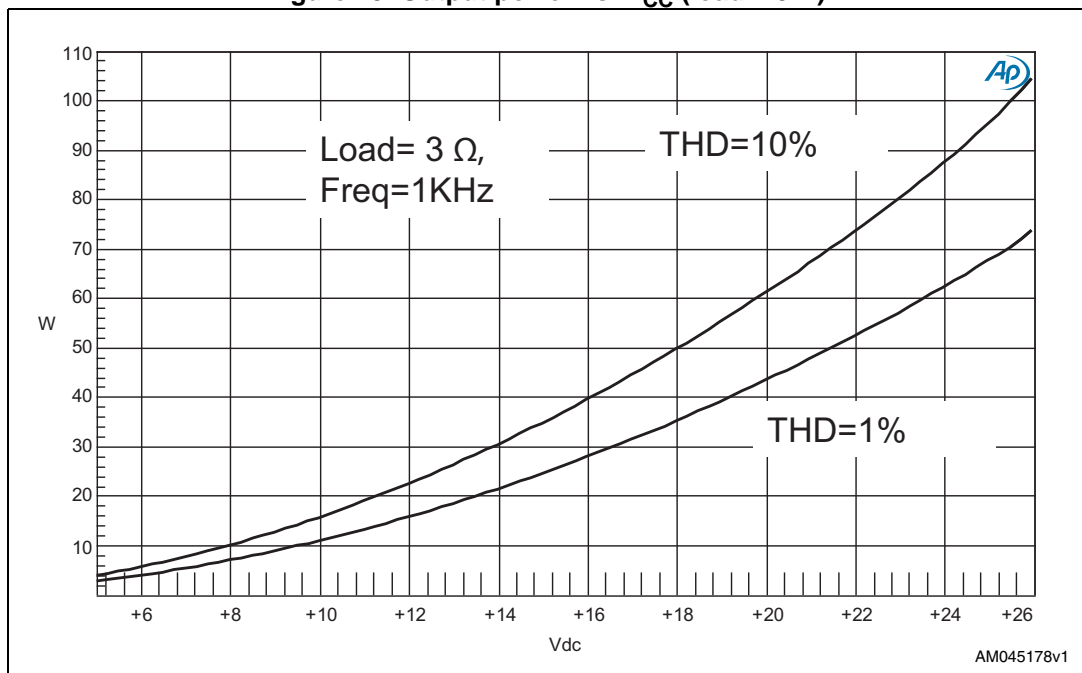


Figure 16. Efficiency vs. output power ($V_{CC} = 26\text{ V}$, load = $3\ \Omega$)

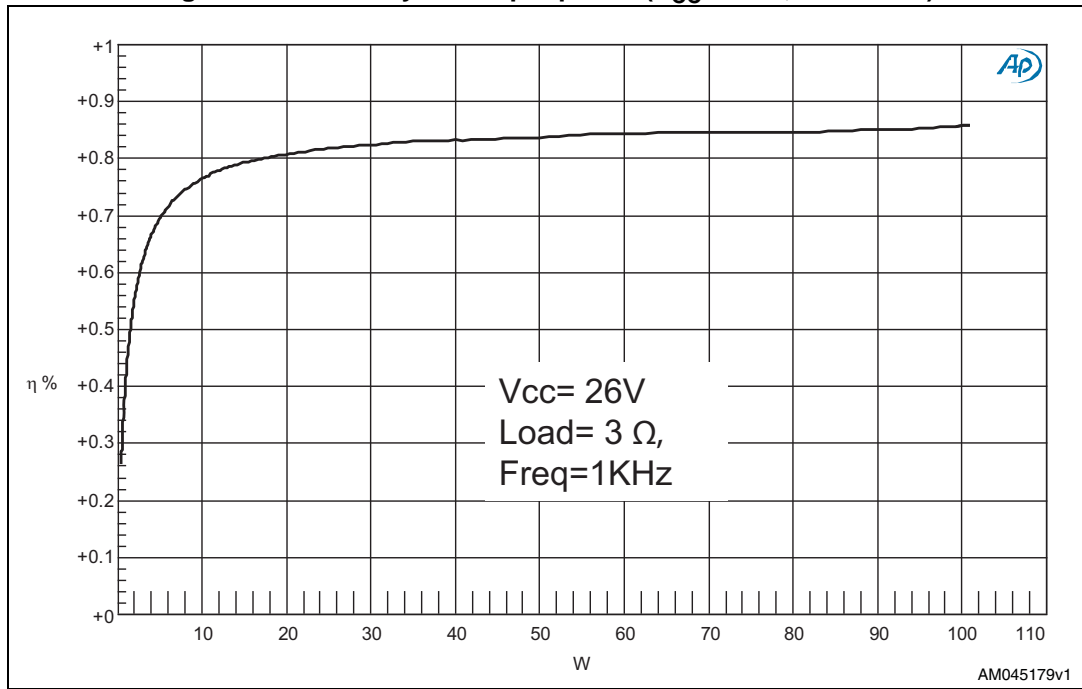
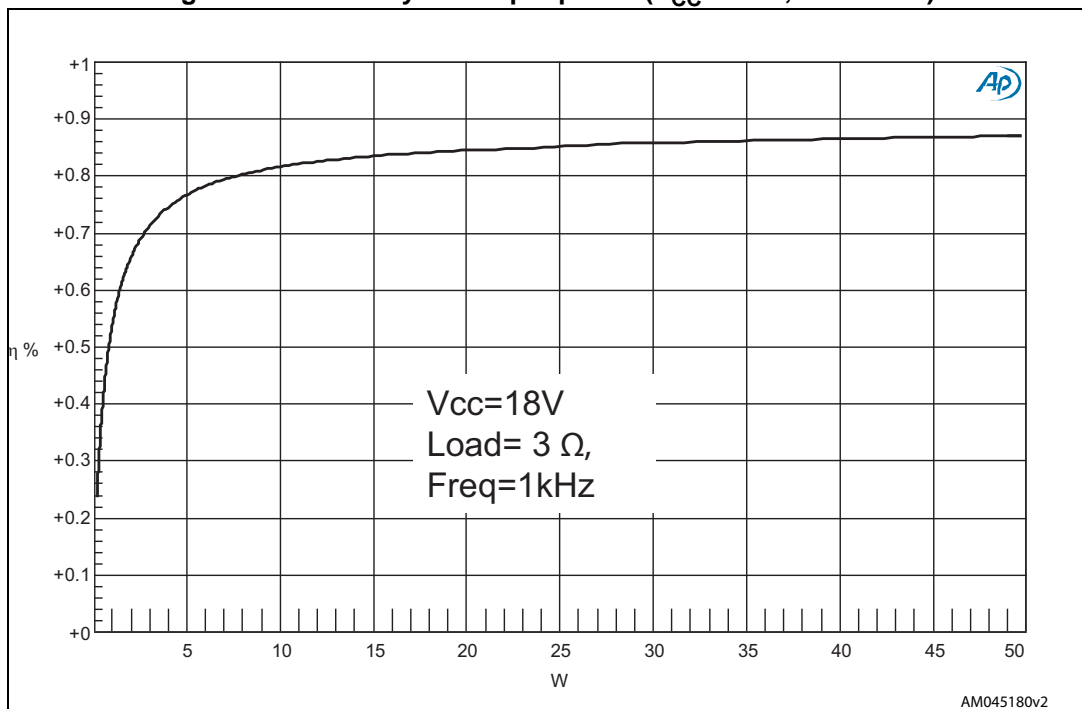


Figure 17. Efficiency vs. output power ($V_{CC} = 18\text{ V}$, load = $3\ \Omega$)



5 Serial audio interface

The STA350Bx audio serial input interface has been designed to interface with standard digital audio components and to accept a number of serial data formats. The STA350Bx always acts as the slave when receiving audio input from standard digital audio components. Serial data for two channels is provided using three inputs: left/right clock LRCKI, serial clock BICKI, and serial data SDI12.

The SAI bit and the SAIFB bit are used to specify the serial data format. The default serial data format is I²S, MSB-first.

5.0.1 Timings

In the STA350Bx the BICKI and LRCKI pins are configured as inputs and they must be supplied by the external peripheral.

Figure 18. Timing diagram for SAI interface

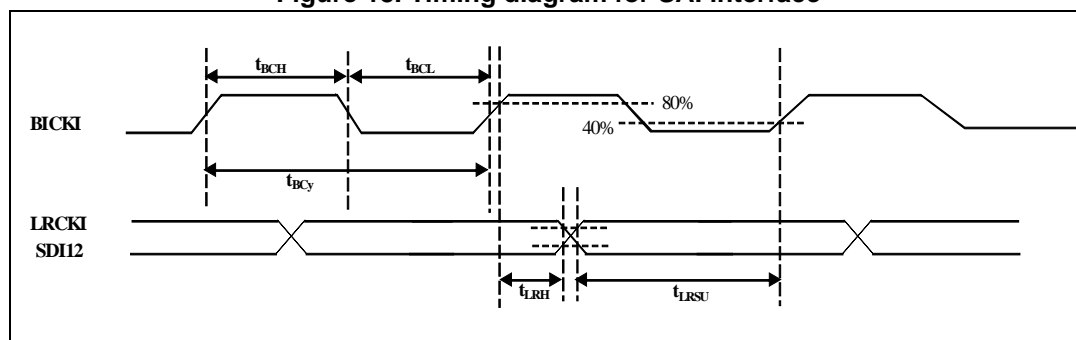


Table 7. Timing parameters for slave mode

Symbol	Parameter	Min.	Typ.	Max.	Unit
t _{BCy}	BICK cycle time	80	-	-	ns
t _{BCH}	BICK pulse width high	40	-	-	ns
t _{BCL}	BICK pulse width low	40	-	-	ns
t _{LRSU}	LRCKI setup time to BICKI strobing edge	40	-	-	ns
t _{LRH}	LRCKI hold time to BICKI strobing edge	40	-	-	ns
t _{LRJT}	LRCKI jitter tolerance			40	ns

5.0.2 Delay serial clock enable

To tolerate anomalies in some I²S master devices, a PLL clock cycle delay can be added to the BICKI signal before the SAI interface.

5.0.3 Channel input mapping

Each channel received via I²S can be mapped to any internal processing channel via the channel input mapping registers. This allows for flexibility in processing. The default settings of these registers map each I²S input channel to its corresponding processing channel.

6 Processing data paths

Figure 19 and 20 illustrate the data processing paths inside the STA350Bx.

The whole processing chain is composed of two consecutive sections. In the first one dual-channel processing is implemented, as described below, and then each channel is fed into the post-mixing block by generating either a third channel (typically used in 2.1 output configuration and with crossover filters enabled) or having the channels processed by the dual-band DRC block (2.0 output configuration with crossover filters used to define the cutoff frequency of the two bands).

The first section begins with a 2x oversampling FIR filter allowing for 2*Fs audio processing. Then a selectable high-pass filter removes the DC level (enabled if HFB=0).

The channel 1 and 2 processing chain can include up to 8 filters, depending on the selected configuration (bits BQL, BQ5, BQ6, BQ7 and XO[3:0]).

By default 4 independent filters per channel are enabled, plus the pre-configured De-Emphasis, Bass and Treble controls (BQL=0, BQ5=0, BQ6=0, BQ7=0).

If the coefficient sets are linked (BQL=1) it's then possible to use De-Emphasis, Bass and Treble filter in a user-defined configuration (provided the relevant BQx bits are set). In other words both channels use the same processing coefficients and can have up to 7 filters each. Note that if BQL=0 the BQx bits are ignored and the 5th, 6th and 7th filters are configured as, respectively, De-Emphasis, Bass and Treble controls.

Moreover the common 8th filter, from the subsequent processing section, can be available on both channels (provided the pre-defined crossover frequencies are not used, XO[3:0]=0, and the dual-band DRC is not used).

In the second section mixing and crossover filters are available. If B²DRC is not enabled (Figure 20), they are fully user-programmable and allow generating a third channel (2.1 outputs). Alternatively, in B²DRC mode, those blocks are used to split the sub-band and define the cutoff frequencies of the two bands. A prescaler and a final post scaler allow full control over the signal dynamic respectively before and after the filtering stages. A mixer function is also available.

Figure 19. Left and right processing - part 1

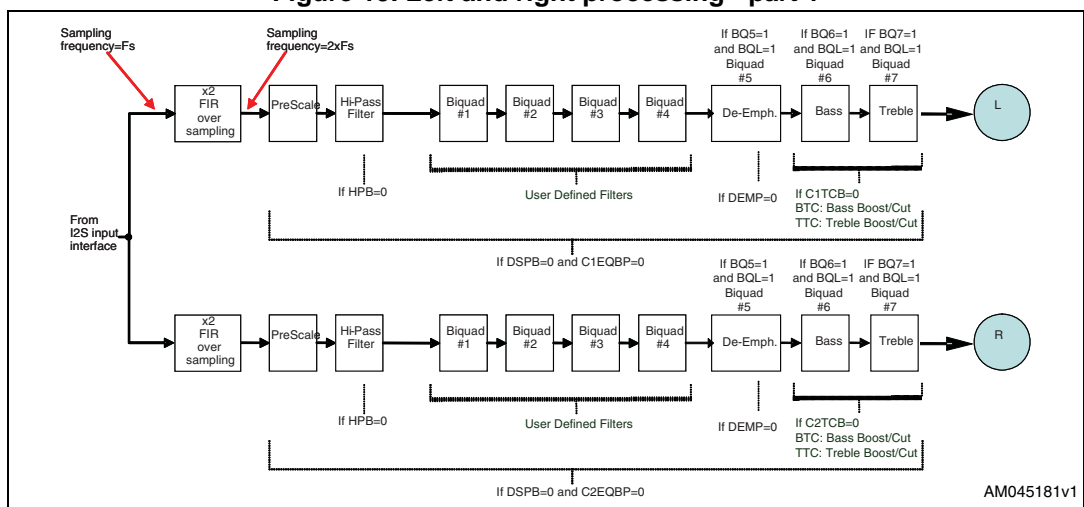
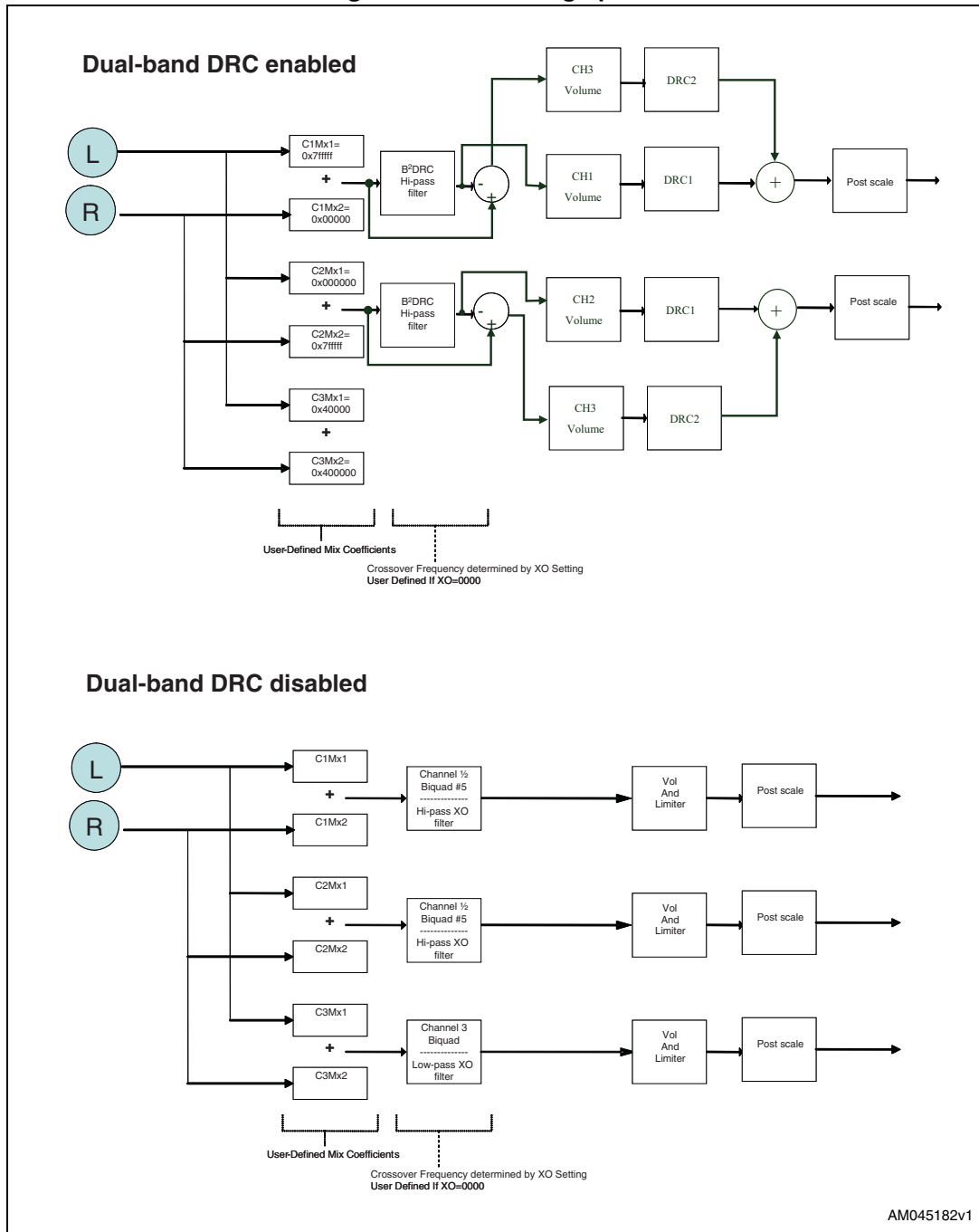


Figure 20. Processing - part 2



AM045182v1

7 I²C bus specification

The STA350Bx supports the I²C protocol via the input ports SCL and SDA_IN (master to slave) and the output port SDA_OUT (slave to master). This protocol defines any device that sends data to the bus as a transmitter and any device that reads the data as a receiver. The device that controls the data transfer is known as the master and the other as the slave. The master always starts the transfer and provides data to the serial clock for synchronization. The STA350Bx is always a slave device in all of its communications. It supports up to 400 kb/s rate (fast-mode bit rate). The STA350Bx I²C is a slave-only interface. The I²C interface works properly only in the case that the master clock generated by the PLL has a frequency 10 times higher compared to the frequency of the applied SCL signal.

7.1 Communication protocol

7.1.1 Data transition or change

Data changes on the SDA line must only occur when the SCL clock is low. An SDA transition while the clock is high is used to identify a START or STOP condition.

7.1.2 Start condition

START is identified by a high-to-low transition of the data bus SDA signal while the clock signal SCL is stable in the high state. A START condition must precede any command for data transfer.

7.1.3 Stop condition

STOP is identified by a low-to-high transition of the data bus SDA signal while the clock signal SCL is stable in the high state. A STOP condition terminates communication between the STA350Bx and the bus master.

7.1.4 Data input

During data input the STA350Bx samples the SDA signal on the rising edge of clock SCL. For correct device operation the SDA signal must be stable during the rising edge of the clock and the data can change only when the SCL line is low.

7.2 Device addressing

To start communication between the master and the STA350Bx, the master must initiate a start condition. Following this, the master sends 8 bits (MSB first) corresponding to the device select address and read or write mode to the SDA line.

The seven most significant bits are the device address identifiers, corresponding to the I²C bus definition. In the STA350Bx the I²C interface has two device addresses depending on the SA port configuration, 0x38 when SA = 0, and 0x3A when SA = 1.

The eighth bit (LSB) identifies the read or write operation RW, this bit is set to 1 in read mode and to 0 for write mode. After a START condition the STA350Bx identifies on the bus

the device address and if a match is found, it acknowledges the identification on the SDA bus during the 9th bit time. The byte following the device identification byte is the internal space address.

7.3 Write operation

Following the START condition the master sends a device select code with the RW bit set to 0. The STA350Bx acknowledges this and then writes the byte of the internal address. After receiving the internal byte address the STA350Bx again responds with an acknowledgment.

7.3.1 Byte write

In the byte write mode the master sends one data byte, which is acknowledged by the STA350Bx. The master then terminates the transfer by generating a STOP condition.

7.3.2 Multi-byte write

The multi-byte write modes can start from any internal address. The master generating a STOP condition terminates the transfer.

7.4 Read operation

7.4.1 Current address byte read

Following the START condition the master sends a device select code with the RW bit set to 1. The STA350Bx acknowledges this and then responds by sending one byte of data. The master then terminates the transfer by generating a STOP condition.

7.4.2 Current address multi-byte read

The multi-byte read modes can start from any internal address. Sequential data bytes are read from sequential addresses within the STA350Bx. The master acknowledges each data byte read and then generates a STOP condition, terminating the transfer.

7.4.3 Random address byte read

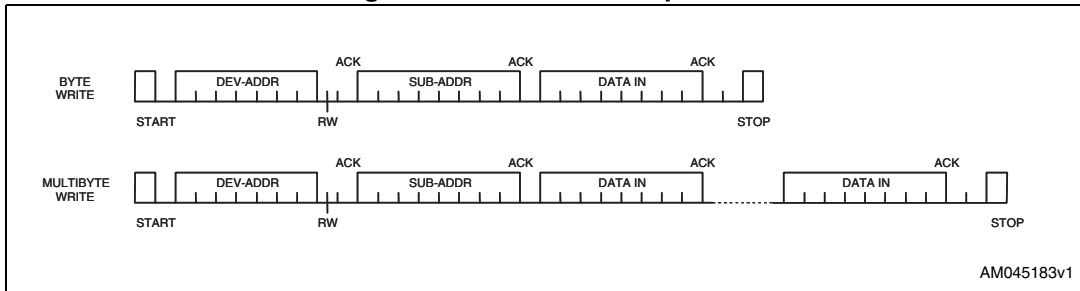
Following the START condition the master sends a device select code with the RW bit set to 0. The STA350Bx acknowledges this and then the master writes the internal address byte. After receiving the internal byte address, the STA350Bx again responds with an acknowledgement. The master then initiates another START condition and sends the device select code with the RW bit set to 1. The STA350Bx acknowledges this and then responds by sending one byte of data. The master then terminates the transfer by generating a STOP condition.

7.4.4 Random address multi-byte read

The multi-byte read modes can start from any internal address. Sequential data bytes are read from sequential addresses within the STA350Bx. The master acknowledges each data byte read and then generates a STOP condition, terminating the transfer.

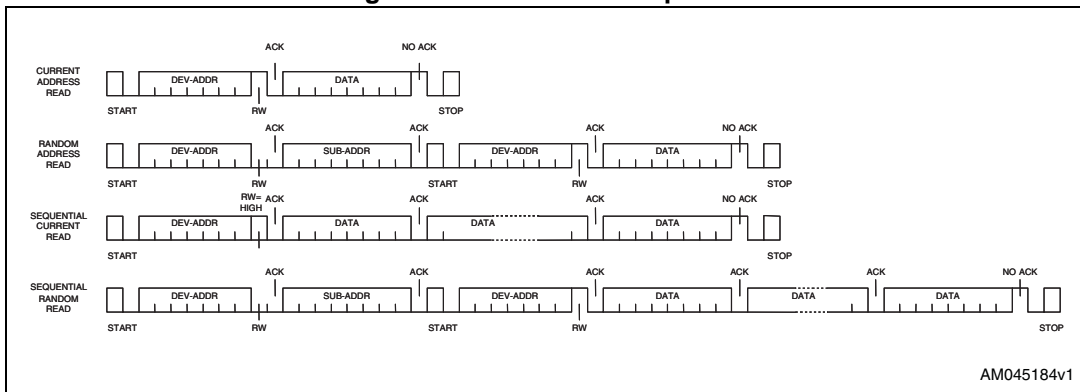
7.4.5 Write mode sequence

Figure 21. Write mode sequence



7.4.6 Read mode sequence

Figure 22. Read mode sequence



8 Register description

Table 8. Register summary

Addr	Name	D7	D6	D5	D4	D3	D2	D1	D0
0x00	CONFA	FDRB	TWAB	TWRB	IR1	IR0	MCS2	MCS1	MCS0
0x01	CONFB	C2IM	C1IM	DSCKE	SAIFB	SAI3	SAI2	SAI1	SAI0
0x02	CONFC	OCRB		CSZ3	CSZ2	CSZ1	CSZ0	OM1	OM0
0x03	CONFD	SME	ZDE	DRC	BQL	PSL	DSPB	DEMP	HPB
0x04	CONFE	SVE	ZCE	DCCV	PWMS	AME	NSBW	MPC	MPCV
0x05	CONFF	EAPD	PWDN	ECLE	LDTE	BCLE	IDE	OCFG1	OCFG0
0x06	MUTE/LOC	LOC1	LOC0	Reserved	Reserved	C3M	C2M	C1M	MMUTE
0x07	MVOL	MV7	MV6	MV5	MV4	MV3	MV2	MV1	MV0
0x08	C1VOL	C1V7	C1V6	C1V5	C1V4	C1V3	C1V2	C1V1	C1V0
0x09	C2VOL	C2V7	C2V6	C2V5	C2V4	C2V3	C2V2	C2V1	C2V0
0x0A	C3VOL	C3V7	C3V6	C3V5	C3V4	C3V3	C3V2	C3V1	C3V0
0x0B	AUTO1	Reserved	Reserved	AMGC1	AMGC0	Reserved	Reserved	Reserved	Reserved
0x0C	AUTO2	XO3	XO2	XO1	XO0	AMAM2	AMAM1	AMAM0	AMAME
0x0D	AUTO3	Reserved							
0x0E	C1CFG	C1OM1	C1OM0	C1LS1	C1LS0	C1BO	C1VBP	C1EQBP	C1TCB
0x0F	C2CFG	C2OM1	C2OM0	C2LS1	C2LS0	C2BO	C2VBP	C2EQBP	C2TCB
0x10	C3CFG	C3OM1	C3OM0	C3LS1	C3LS0	C3BO	C3VBP	Reserved	Reserved
0x11	TONE	TTC3	TTC2	TTC1	TTC0	BTC3	BTC2	BTC1	BTC0
0x12	L1AR	L1A3	L1A2	L1A1	L1A0	L1R3	L1R2	L1R1	L1R0
0x13	L1ATRT	L1AT3	L1AT2	L1AT1	L1AT0	L1RT3	L1RT2	L1RT1	L1RT0
0x14	L2AR	L2A3	L2A2	L2A1	L2A0	L2R3	L2R2	L2R1	L2R0
0x15	L2ATRT	L2AT3	L2AT2	L2AT1	L2AT0	L2RT3	L2RT2	L2RT1	L2RT0
0x16	CFADDR	Reserved	Reserved	CFA5	CFA4	CFA3	CFA2	CFA1	CFA0
0x17	B1CF1	C1B23	C1B22	C1B21	C1B20	C1B19	C1B18	C1B17	C1B16
0x18	B1CF2	C1B15	C1B14	C1B13	C1B12	C1B11	C1B10	C1B9	C1B8
0x19	B1CF3	C1B7	C1B6	C1B5	C1B4	C1B3	C1B2	C1B1	C1B0
0x1A	B2CF1	C2B23	C2B22	C2B21	C2B20	C2B19	C2B18	C2B17	C2B16
0x1B	B2CF2	C2B15	C2B14	C2B13	C2B12	C2B11	C2B10	C2B9	C2B8
0x1C	B2CF3	C2B7	C2B6	C2B5	C2B4	C2B3	C2B2	C2B1	C2B0
0x1D	A1CF1	C3B23	C3B22	C3B21	C3B20	C3B19	C3B18	C3B17	C3B16
0x1E	A1CF2	C3B15	C3B14	C3B13	C3B12	C3B11	C3B10	C3B9	C3B8
0x1F	A1CF3	C3B7	C3B6	C3B5	C3B4	C3B3	C3B2	C3B1	C3B0
0x20	A2CF1	C4B23	C4B22	C4B21	C4B20	C4B19	C4B18	C4B17	C4B16
0x21	A2CF2	C4B15	C4B14	C4B13	C4B12	C4B11	C4B10	C4B9	C4B8

Table 8. Register summary (continued)

Addr	Name	D7	D6	D5	D4	D3	D2	D1	D0
0x22	A2CF3	C4B7	C4B6	C4B5	C4B4	C4B3	C4B2	C4B1	C4B0
0x23	B0CF1	C5B23	C5B22	C5B21	C5B20	C5B19	C5B18	C5B17	C5B16
0x24	B0CF2	C5B15	C5B14	C5B13	C5B12	C5B11	C5B10	C5B9	C5B8
0x25	B0CF3	C5B7	C5B6	C5B5	C5B4	C5B3	C5B2	C5B1	C5B0
0x26	CFUD	Reserved				RA	R1	WA	W1
0x27	MPCC1	MPCC15	MPCC14	MPCC13	MPCC12	MPCC11	MPCC10	MPCC9	MPCC8
0x28	MPCC2	MPCC7	MPCC6	MPCC5	MPCC4	MPCC3	MPCC2	MPCC1	MPCC0
0x29	DCC1	DCC15	DCC14	DCC13	DCC12	DCC11	DCC10	DCC9	DCC8
0x2A	DCC2	DCC7	DCC6	DCC5	DCC4	DCC3	DCC2	DCC1	DCC0
0x2B	FDRC1	FDRC15	FDRC14	FDRC13	FDRC12	FDRC11	FDRC10	FDRC9	FDRC8
0x2C	FDRC2	FDRC7	FDRC6	FDRC5	FDRC4	FDRC3	FDRC2	FDRC1	FDRC0
0x2D	STATUS	PLLUL	FAULT	UVFAULT	OVFAULT	OCFAULT	OCWARN	TFault	TWARN
0x2E	Reserved	Reserved		RO1BACT	R5BACT	R4BACT	R3BACT	R2BACT	R1BACT
0x2F	Reserved	Reserved		RO1BEND	R5BEND	R4BEND	R3BEND	R2BEND	R1BEND
0x30	Reserved	Reserved			R5BBAD	R4BBAD	R3BBAD	R2BBAD	R1BBAD
0x31	EQCFG	XOB	Reserved	Reserved	AMGC3	AMGC2	Reserved	SEL1	SEL0
0x32	EATH1	EATHEN1	EATH1[6]	EATH1[5]	EATH1[4]	EATH1[3]	EATH1[2]	EATH1[1]	EATH1[0]
0x33	ERTH1	ERTHEN1	ERTH1[6]	ERTH1[5]	ERTH1[4]	ERTH1[3]	ERTH1[2]	ERTH1[1]	ERTH1[0]
0x34	EATH2	EATHEN2	EATH2[6]	EATH2[5]	EATH2[4]	EATH2[3]	EATH2[2]	EATH2[1]	EATH2[0]
0x35	ERTH2	ERTHEN2	ERTH2[6]	ERTH2[5]	ERTH2[4]	ERTH2[3]	ERTH2[2]	ERTH2[1]	ERTH2[0]
0x36	CONFX	MDRC[1]	MDRC[0]	PS48DB	XAR1	XAR2	BQ5	BQ6	BQ7
0x37	SVCA	Reserved	Reserved	SVUPE	SVUP[4]	SVUP[3]	SVUP[2]	SVUP[1]	SVUP[0]
0x38	SVCB	Reserved	Reserved	SVDWE	SVDW[4]	SVDW[3]	SVDW[2]	SVDW[1]	SVDW[0]
0x39	RMS0A	R_C0[23]	R_C0[22]	R_C0[21]	R_C0[20]	R_C0[19]	R_C0[18]	R_C0[17]	R_C0[16]
0x3A	RMS0B	R_C0[15]	R_C0[14]	R_C0[13]	R_C0[12]	R_C0[11]	R_C0[10]	R_C0[9]	R_C0[8]
0x3B	RMS0C	R_C0[7]	R_C0[6]	R_C0[5]	R_C0[4]	R_C0[3]	R_C0[2]	R_C0[1]	R_C0[0]
0x3C	RMS1A	R_C1[23]	R_C1[22]	R_C1[21]	R_C1[20]	R_C1[19]	R_C1[18]	R_C1[17]	R_C1[16]
0x3D	RMS1B	R_C1[15]	R_C1[14]	R_C1[13]	R_C1[12]	R_C1[11]	R_C1[10]	R_C1[9]	R_C1[8]
0x3E	RMS1C	R_C1[7]	R_C1[6]	R_C1[5]	R_C1[4]	R_C1[3]	R_C1[2]	R_C1[1]	R_C1[0]
0x3F	EVOLRES	VRESEN	VRESTG	C3VR[1]	C3VR[0]	C2VR[1]	C2VR[0]	C1VR[1]	C1VR[0]
0x40	Reserved								
0x41	Reserved								
0x42	Reserved								
0x43	Reserved								
0x44	Reserved								
0x45	Reserved								
0x46	Reserved								

Table 8. Register summary (continued)

Addr	Name	D7	D6	D5	D4	D3	D2	D1	D0
0x47	Reserved								
0x48	NSHAPE	NSHXEN	NSHB7EN	NSHB6EN	NSHB5EN	NSHB4EN	NSHB3EN	NSHB2EN	NSHB1EN
0x49	CXT[B4B1]	CXTB4[1]	CXTB4[0]	CXTB3[1]	CXTB3[0]	CXTB2[1]	CXTB2[0]	CXTB1[1]	CXTB1[0]
0x4A	CXT[B7B5]	Reserved	Reserved	CXTB7[1]	CXTB7[0]	CXTB6[1]	CXTB6[0]	CXTB5[1]	CXTB5[0]
0x4B	MISC1	RPDNEN	NSHHPEN	BRIDGOFF	Reserved	Reserved	CPWMEN	Reserved	Reserved
0x4C	MISC2	Reserved	Reserved	Reserved	PNDLSL[2]	PNDLSL[1]	PNDLSL[0]	Reserved	Reserved
0x4D	Reserved								
0x4E	Reserved								
0x4F	Reserved								
0x50	Reserved								
0x51	Reserved								
0x52	Reserved								
0x53	Reserved								
0x54	Reserved								
0x55	Reserved								
0x56	Reserved								

8.1 Configuration register A (addr 0x00)

D7	D6	D5	D4	D3	D2	D1	D0
FDRB	TWAB	TWRB	IR1	IR0	MCS2	MCS1	MCS0
0	1	1	0	0	0	1	1

8.1.1 Master clock select

Table 9. Master clock select

Bit	R/W	RST	Name	Description
0	R/W	1	MCS0	Selects the ratio between the input I ² S sample frequency and the input clock.
1	R/W	1	MCS1	
2	R/W	0	MCS2	

The STA350Bx supports sample rates of 32 kHz, 44.1 kHz, 48 kHz, 88.2 kHz, 96 kHz, 176.4 kHz, and 192 kHz. Therefore the internal clock is:

- 32.768 MHz for 32 kHz
- 45.1584 MHz for 44.1 kHz, 88.2 kHz, and 176.4 kHz
- 49.152 MHz for 48 kHz, 96 kHz, and 192 kHz

The external clock frequency provided to the XTI pin must be a multiple of the input sample frequency (f_s).

The relationship between the input clock and the input sample rate is determined by both the MCSx and the IR (input rate) register bits. The MCSx bits determine the PLL factor generating the internal clock and the IR bit determines the oversampling ratio used internally.

Table 10. Input sampling rates

Input sample rate f_s (kHz)	IR	MCS[2:0]					
		101	100	011	010	001	000
32, 44.1, 48	00	576 * f_s	128 * f_s	256 * f_s	384 * f_s	512 * f_s	768 * f_s
88.2, 96	01	NA	64 * f_s	128 * f_s	192 * f_s	256 * f_s	384 * f_s
176.4, 192	1X	NA	32 * f_s	64 * f_s	96 * f_s	128 * f_s	192 * f_s

8.1.2 Interpolation ratio select

Table 11. Internal interpolation ratio

Bit	R/W	RST	Name	Description
4:3	R/W	00	IR [1:0]	Selects internal interpolation ratio based on input I ² S sample frequency

The STA350Bx has variable interpolation (oversampling) settings such that internal processing and FFX output rates remain consistent. The first processing block interpolates by either 2-times or 1-time (pass-through) or provides a 2-times downsample. The oversampling ratio of this interpolation is determined by the IR bits.

Table 12. IR bit settings as a function of input sample rate

Input sample rate fs (kHz)	IR	1 st stage interpolation ratio
32	00	2 times oversampling
44.1	00	2 times oversampling
48	00	2 times oversampling
88.2	01	Pass-through
96	01	Pass-through
176.4	10	2 times downsampling
192	10	2 times downsampling

8.1.3 Thermal warning recovery bypass

Table 13. Thermal warning recovery bypass

Bit	R/W	RST	Name	Description
5	R/W	1	TWRB	0: Thermal warning recovery enabled 1: Thermal warning recovery disabled

If the thermal warning adjustment is enabled (TWAB = 0), then the thermal warning recovery determines if the -3 dB output limit is removed when thermal warning is negative.

If TWRB = 0 and TWAB = 0, then when a thermal warning disappears the -3 dB output limit is removed and the gain is added back to the system. If TWRB = 1 and TWAB = 0, then when a thermal warning disappears the -3 dB output limit remains until TWRB is changed to zero or the device is reset.

8.1.4 Thermal warning adjustment bypass

Table 14. Thermal warning adjustment bypass

Bit	R/W	RST	Name	Description
6	R/W	1	TWAB	0: Thermal warning adjustment enabled 1: Thermal warning adjustment disabled

The on-chip STA350Bx power output block provides feedback to the digital controller using inputs to the power control block. Input TWARN is used to indicate a thermal warning condition. When TWARN is asserted (set to 0) for a period of time greater than 400 ms, the power control block forces a -3 dB output limit (determined by TWOCL in the coefficient RAM) to the modulation limit in an attempt to eliminate the thermal warning condition. Once the thermal warning output limit adjustment is applied, it remains in this state until reset, unless FDRB = 0.

8.1.5 Fault detect recovery bypass

Table 15. Fault detect recovery bypass

Bit	R/W	RST	Name	Description
7	R/W	0	FDRB	0: fault detect recovery enabled 1: fault detect recovery disabled

The on-chip STA350Bx power output block provides feedback to the digital controller using inputs to the power control block. The FAULT input is used to indicate a fault condition (either over-current or thermal). When FAULT is asserted (set to 0), the power control block attempts a recovery from the fault by asserting the tri-state output (setting it to 0 which directs the power output block to begin recovery), holds it at 0 for period of time in the range of 0.1 ms to 1 second as defined by the fault-detect recovery constant register (FDRC registers 0x29-0x2A), then toggles it back to 1. This sequence is repeated as long as the fault indication exists. This feature is enabled by default but can be bypassed by setting the FDRB control bit to 1.

8.2 Configuration register B (addr 0x01)

D7	D6	D5	D4	D3	D2	D1	D0
C2IM	C1IM	DSCKE	SAIFB	SAI3	SAI2	SAI1	SAI0
1	0	0	0	0	0	0	0

8.2.1 Serial audio input interface format

Table 16. Serial audio input interface

Bit	R/W	RST	Name	Description
0	R/W	0	SAI0	Determines the interface format of the input serial digital audio interface.
1	R/W	0	SAI1	
2	R/W	0	SAI2	
3	R/W	0	SAI3	

8.2.2 Serial data interface

The STA350Bx audio serial input was designed to interface with standard digital audio components and to accept a number of serial data formats. The STA350Bx always acts as the slave when receiving audio input from standard digital audio components. Serial data for two channels is provided using three inputs: left/right clock LRCKI, serial clock BICKI, and serial data 1 and 2 SDI12.

The SAI bits (D3 to D0) and the SAIFB bit (D4) are used to specify the serial data format. The default serial data format is I²S, MSB-first. Available formats are shown in the tables that follow.

8.2.3 Serial data first bit

Table 17. Serial data first bit

SAIFB	Format
0	MSB-first
1	LSB-first

Table 18. Support serial audio input formats for MSB-first (SAIFB = 0)

BICKI	SAI [3:0]	SAIFB	Interface format
32 * fs	0000	0	I ² S 15-bit data
	0001	0	Left/right-justified 16-bit data
48 * fs	0000	0	I ² S 16 to 23-bit data
	0001	0	Left-justified 16 to 24-bit data
	0010	0	Right-justified 24-bit data
	0110	0	Right-justified 20-bit data
	1010	0	Right-justified 18-bit data
	1110	0	Right-justified 16-bit data
64 * fs	0000	0	I ² S 16 to 24-bit data
	0001	0	Left-justified 16 to 24-bit data
	0010	0	Right-justified 24-bit data
	0110	0	Right-justified 20-bit data
	1010	0	Right-justified 18-bit data
	1110	0	Right-justified 16-bit data

Table 19. Supported serial audio input formats for LSB-first (SAIFB = 1)

BICKI	SAI [3:0]	SAIFB	Interface format
32 * fs	1100	1	I ² S 15-bit data
	1110	1	Left/right-justified 16-bit data
48 * fs	0100	1	I ² S 23-bit data
	0100	1	I ² S 20-bit data
	1000	1	I ² S 18-bit data
	1100	1	LSB first I ² S 16-bit data
	0001	1	Left-justified 24-bit data
	0101	1	Left-justified 20-bit data
	1001	1	Left-justified 18-bit data
	1101	1	Left-justified 16-bit data
	0010	1	Right-justified 24-bit data
	0110	1	Right-justified 20-bit data
	1010	1	Right-justified 18-bit data
	1110	1	Right-justified 16-bit data
64 * fs	0000	1	I ² S 24-bit data
	0100	1	I ² S 20-bit data
	1000	1	I ² S 18-bit data
	1100	1	LSB first I ² S 16-bit data
	0001	1	Left-justified 24-bit data
	0101	1	Left-justified 20-bit data
	1001	1	Left-justified 18-bit data
	1101	1	Left-justified 16-bit data
	0010	1	Right-justified 24-bit data
	0110	1	Right-justified 20-bit data
	1010	1	Right-justified 18-bit data
	1110	1	Right-justified 16-bit data

To make the STA350Bx work properly, the serial audio interface LRCKI clock must be synchronous to the PLL output clock. It means that:

- the frequency of PLL clock / frequency of LRCKI = N ±4 cycles, where N depends on the settings in [Table 12 on page 38](#)
- the PLL must be locked.

If these two conditions are not met, and the IDE bit (reg 0x05 bit 2) is set to 1, the STA350Bx will immediately mute the I²S PCM data out (provided to the processing block) and it freezes any active processing task.

To avoid any audio side effects (like pop noise), it is strongly recommended to soft-mute any audio streams flowing into the STA350Bx data path before the desynchronize event happens. At the same time any processing related to the I²C configuration should be issued only after the serial audio interface and the internal PLL are synchronous again.

Note: Any mute or volume change causes some delay in the completion of the I²C operation due to the soft-volume feature. The soft-volume phase change must be finished before any clock desynchronization.

8.2.4 Delay serial clock enable

Table 20. Delay serial clock enable

Bit	R/W	RST	Name	Description
5	R/W	0	DSCKE	0: No serial clock delay 1: Serial clock delay by 1 core clock cycle to tolerate anomalies in some I ² S master devices

8.2.5 Channel input mapping

Table 21. Channel input mapping

Bit	R/W	RST	Name	Description
6	R/W	0	C1IM	0: Processing channel 1 receives Left I ² S Input 1: Processing channel 1 receives Right I ² S Input
7	R/W	1	C2IM	0: Processing channel 2 receives Left I ² S Input 1: Processing channel 2 receives Right I ² S Input

Each channel received via I²S can be mapped to any internal processing channel via the Channel Input Mapping registers. This allows for flexibility in processing. The default settings of these registers map each I²S input channel to its corresponding processing channel.

8.3 Configuration register C (addr 0x02)

D7	D6	D5	D4	D3	D2	D1	D0
OCRB		CSZ3	CSZ2	CSZ1	CSZ0	OM1	OM0
1		0	1	1	1	1	1

8.3.1 FFX power output mode

Table 22. FFX power output mode

Bit	R/W	RST	Name	Description
0	R/W	1	OM0	Selects configuration of FFX output
1	R/W	1	OM1	

The FFX power output mode selects how the FFX output timing is configured. Different power devices use different output modes.

Table 23. Output modes

OM[1,0]	Output stage mode
00	Drop compensation
01	Discrete output stage - tapered compensation
10	Full power mode
11	Variable drop compensation (CSZx bits)

8.3.2 FFX compensating pulse size register

Table 24. FFX compensating pulse size bits

Bit	R/W	RST	Name	Description
2	R/W	1	CSZ0	When OM[1,0] = 11, this register determines the size of the FFX compensating pulse from 0 clock ticks to 15 clock ticks
3	R/W	1	CSZ1	
4	R/W	1	CSZ2	
5	R/W	0	CSZ3	

Table 25. Compensating pulse size

CSZ[3:0]	Compensating pulse size
0000	0 ns (0 tick) compensating pulse size
0001	20 ns (1 tick) clock period compensating pulse size
...	...
1111	300 ns (15 tick) clock period compensating pulse size

8.3.3 Overcurrent warning detect adjustment bypass

Table 26. Overcurrent warning bypass

Bit	R/W	RST	Name	Description
7	R/W	1	OCRB	0: Overcurrent warning adjustment enabled 1: Overcurrent warning adjustment disabled

The OCWARN input is used to indicate an overcurrent warning condition. When OCWARN is asserted (set to 0), the power control block forces an adjustment to the modulation limit (default is -3 dB) in an attempt to eliminate the overcurrent warning condition. Once the overcurrent warning volume adjustment is applied, it remains in this state until a reset occurs. The level of adjustment can be changed via the TWOCL (thermal warning/over current limit) setting which is address 0x37 of the user-defined coefficient RAM.

8.4 Configuration register D (addr 0x03)

D7	D6	D5	D4	D3	D2	D1	D0
SME	ZDE	DRC	BQL	PSL	DSPB	DEMP	HPB
0	1	0	0	0	0	0	0

8.4.1 High-pass filter bypass

Table 27. High-pass filter bypass

Bit	R/W	RST	Name	Description
0	R/W	0	HPB	Setting of one bypasses internal AC coupling digital high-pass filter

The STA350Bx features an internal digital high-pass filter for the purpose of AC coupling. The purpose of this filter is to prevent DC signals from passing through an FFX amplifier. DC signals can cause speaker damage. When HPB = 0, this filter is enabled.

8.4.2 De-emphasis

Table 28. De-emphasis

Bit	R/W	RST	Name	Description
1	R/W	0	DEMP	0: No de-emphasis 1: Enable de-emphasis on all channels

8.4.3 DSP bypass

Table 29. DSP bypass

Bit	R/W	RST	Name	Description
2	R/W	0	DSPB	0: Normal operation 1: Bypass of biquad and bass/treble functions

Setting the DSPB bit to 1 bypasses the EQ function of the STA350Bx.

8.4.4 Post-scale link

Table 30. Post-scale link

Bit	R/W	RST	Name	Description
3	R/W	0	PSL	0: Each channel uses individual post-scale value 1: Each channel uses channel 1 post-scale value

Post-scale functionality can be used for power-supply error correction. For multi-channel applications running off the same power-supply, the post-scale values can be linked to the value of channel 1 for ease of use and to update the values faster.

8.4.5 Biquad coefficient link

Table 31. Biquad coefficient link

Bit	R/W	RST	Name	Description
4	R/W	0	BQL	0: Each channel uses coefficient values 1: Each channel uses channel 1 coefficient values

For ease of use, all channels can use the biquad coefficients loaded into the channel-1 coefficient RAM space by setting the BQL bit to 1. Therefore, any EQ updates have to be performed only once.

8.4.6 Dynamic range compression/anti-clipping bit

Table 32. Dynamic range compression/anti-clipping bit

Bit	R/W	RST	Name	Description
5	R/W	0	DRC	0: Limiters act in anti-clipping mode 1: Limiters act in dynamic range compression mode

Both limiters can be used in one of two ways, anti-clipping or dynamic range compression. When used in anti-clipping mode the limiter threshold values are constant and dependent on the limiter settings. In dynamic range compression mode the limiter threshold values vary with the volume settings allowing a nighttime listening mode that provides a reduction in the dynamic range regardless of the volume level.

8.4.7 Zero-detect mute enable

Table 33. Zero-detect mute enable

Bit	R/W	RST	Name	Description
6	R/W	1	ZDE	Setting of 1 enables the automatic zero-detect mute

Setting the ZDE bit enables the zero-detect automatic mute. The zero-detect circuit looks at the data for each processing channel at the output of the crossover (bass management) filter. If any channel receives 2048 consecutive zero value samples (regardless of f_s) then that individual channel is muted if this function is enabled.

8.4.8 Submix mode enable

Table 34. Sub-mix mode enable

Bit	R/W	RST	Name	Description
7	R/W	0	SME	0: Sub-mix into left/right disabled 1: Sub-mix into left/right enabled

8.5 Configuration register E (addr 0x04)

D7	D6	D5	D4	D3	D2	D1	D0
SVE	ZCE	DCCV	PWMS	AME	NSBW	MPC	MPCV
1	1	0	0	0	0	1	0

8.5.1 Max power correction variable

Table 35. Max. power correction variable

Bit	R/W	RST	Name	Description
0	R/W	0	MPCV	0: Use standard MPC coefficient 1: Use MPCC bits for MPC coefficient

8.5.2 Max power correction

Table 36. Max. power correction

Bit	R/W	RST	Name	Description
1	R/W	1	MPC	Setting of 1 enables power bridge correction for THD reduction near maximum power output

Setting the MPC bit turns on special processing that corrects the STA350Bx power device at high power. This mode should lower the THD+N of a full FFX system at maximum power output and slightly below. If enabled, MPC is operational in all output modes except tapered (OM[1,0] = 01) and binary. When OCFG = 00, MPC does not effect channels 3 and 4, the line-out channels.

8.5.3 Noise-shaper bandwidth selection

Table 37. Noise-shaper bandwidth selection

Bit	R/W	RST	Name	Description
2	R/W	0	NSBW	1: Third order NS 0: Fourth order NS

8.5.4 AM mode enable

Table 38. AM mode enable

Bit	R/W	RST	Name	Description
3	R/W	0	AME	0: Normal FFX operation 1: AM reduction mode FFX operation

The STA350Bx features an FFX processing mode that minimizes the amount of noise generated in the frequency range of AM radio. This mode is intended to be used when FFX operates in a device with an AM tuner active. The SNR of the FFX processing is reduced to approximately 83 dB in this mode, which is still greater than the SNR of AM radio.

8.5.5 PWM speed mode

Table 39. PWM speed mode

Bit	R/W	RST	Name	Description
4	R/W	0	PWMS	0: Normal speed (384 kHz) all channels 1: Odd speed (341.3 kHz) all channels

8.5.6 Distortion compensation variable enable

Table 40. Distortion compensation variable enable

Bit	R/W	RST	Name	Description
5	R/W	0	DCCV	0: Use preset DC coefficient 1: Use DCC coefficient

8.5.7 Zero-crossing volume enable

Table 41. Zero-crossing volume enable

Bit	R/W	RST	Name	Description
6	R/W	1	ZCE	1: Volume adjustments only occur at digital zero-crossings 0: Volume adjustments occur immediately

The ZCE bit enables zero-crossing volume adjustments. When volume is adjusted on digital zero-crossings, no clicks are audible.

8.5.8 Soft-volume update enable

Table 42. Soft-volume update enable

Bit	R/W	RST	Name	Description
7	R/W	1	SVE	1: Volume adjustments ramp according to SVR settings 0: Volume adjustments occur immediately

8.6 Configuration register F (addr 0x05)

D7	D6	D5	D4	D3	D2	D1	D0
EAPD	PWDN	ECLE	LDTE	BCLE	IDE	OCFG1	OCFG0
0	1	0	1	1	1	0	0

8.6.1 Output configuration

Table 43. Output configuration

Bit	R/W	RST	Name	Description
0	R/W	0	OCFG0	Selects the output configuration
1	R/W	0	OCFG1	

Table 44. Output configuration engine selection

OCFG[1:0]	Output configuration	Config pin
00	2-channel (full-bridge) power, 2-channel data-out: 1A/1B → 1A/1B 2A/2B → 2A/2B LineOut1 → 3A/3B LineOut2 → 4A/4B Line out configuration determined by LOC register	0
01	2(half-bridge).1(full-bridge) on-board power: 1A → 1A Binary 0 ° 2A → 1B Binary 90 ° 3A/3B → 2A/2B Binary 45 ° 1A/B → 3A/B Binary 0 ° 2A/B → 4A/B Binary 90 °	0
10	2 Channel (full-bridge) power, 1 channel FFX: 1A/1B → 1A/1B 2A/2B → 2A/2B 3A/3B → 3A/3B EAPDEXT and TWARDNEXT Active	0
11	1 Channel mono-parallel: 3A → 1A/1B w/ C3BO 45 ° 3B → 2A/2B w/ C3BO 45 ° 1A/1B → 3A/3B 2A/2B → 4A/4B	1

Note: To the left of the arrow, the processing channel is shown. When using channel output mapping, any of the three processing channel outputs can be used for any of the three inputs.

Figure 23. OCFG = 00 (default value)

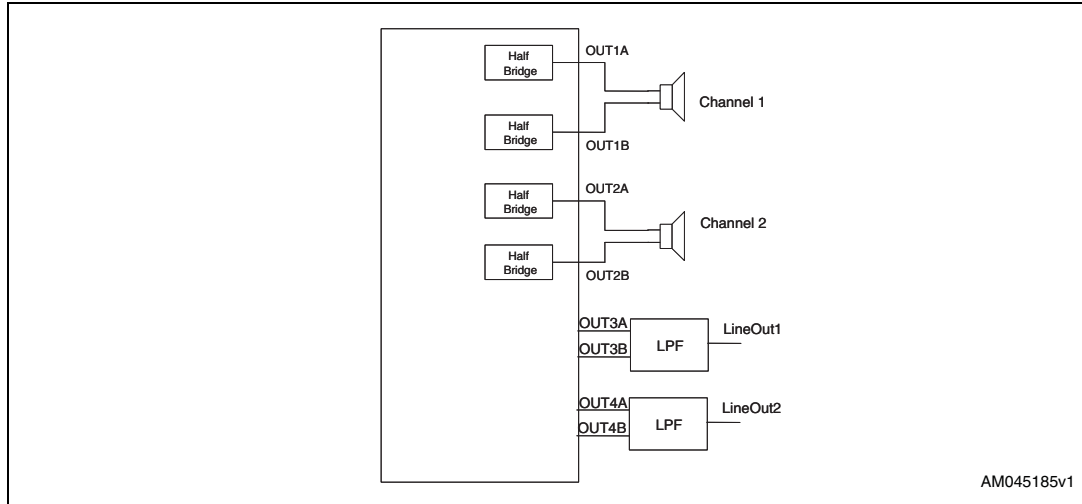


Figure 24. OCFG = 01

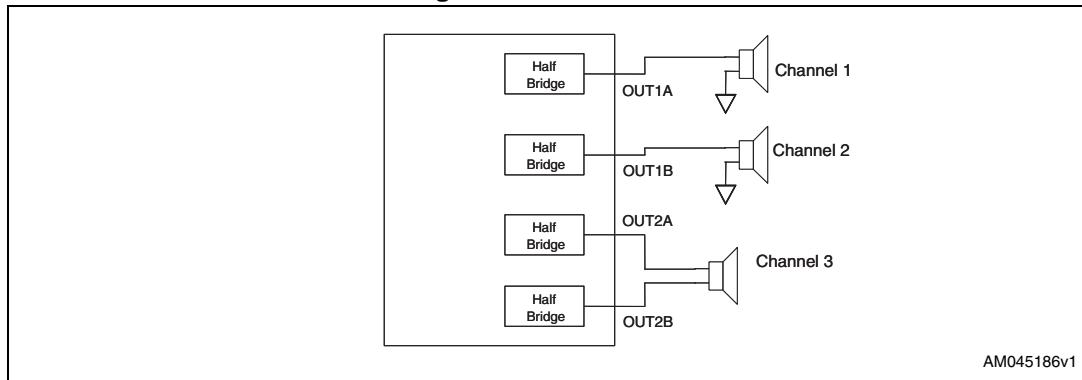


Figure 25. OCFG = 10

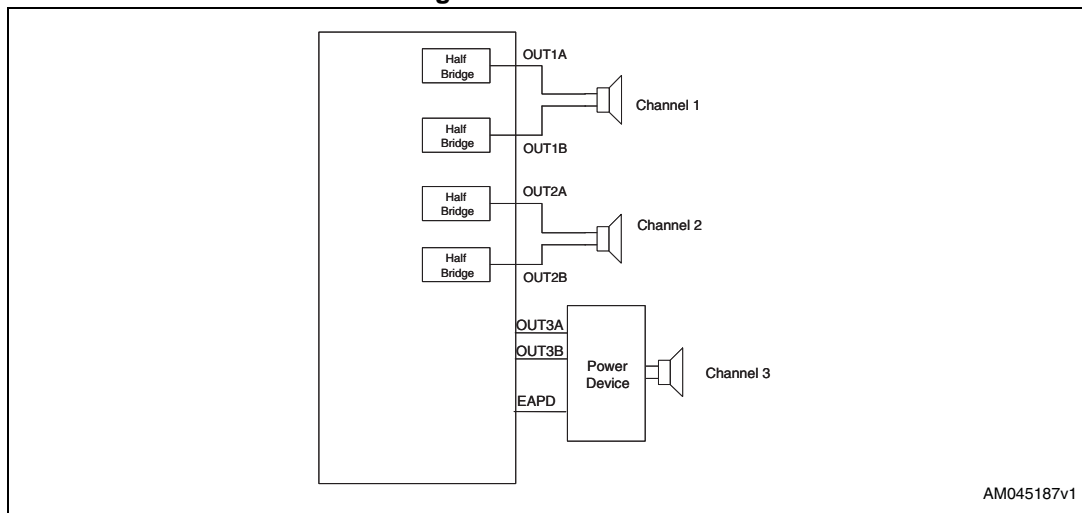
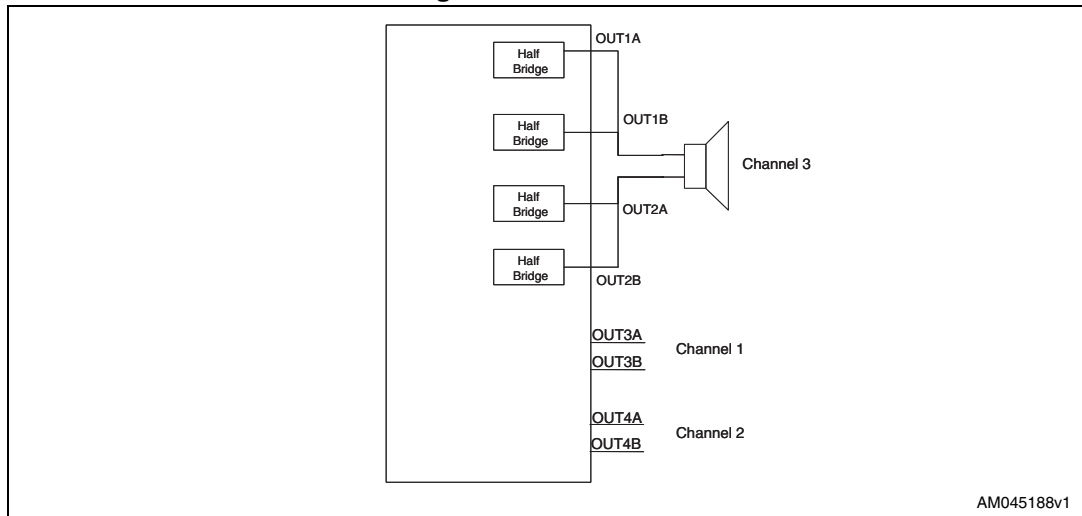
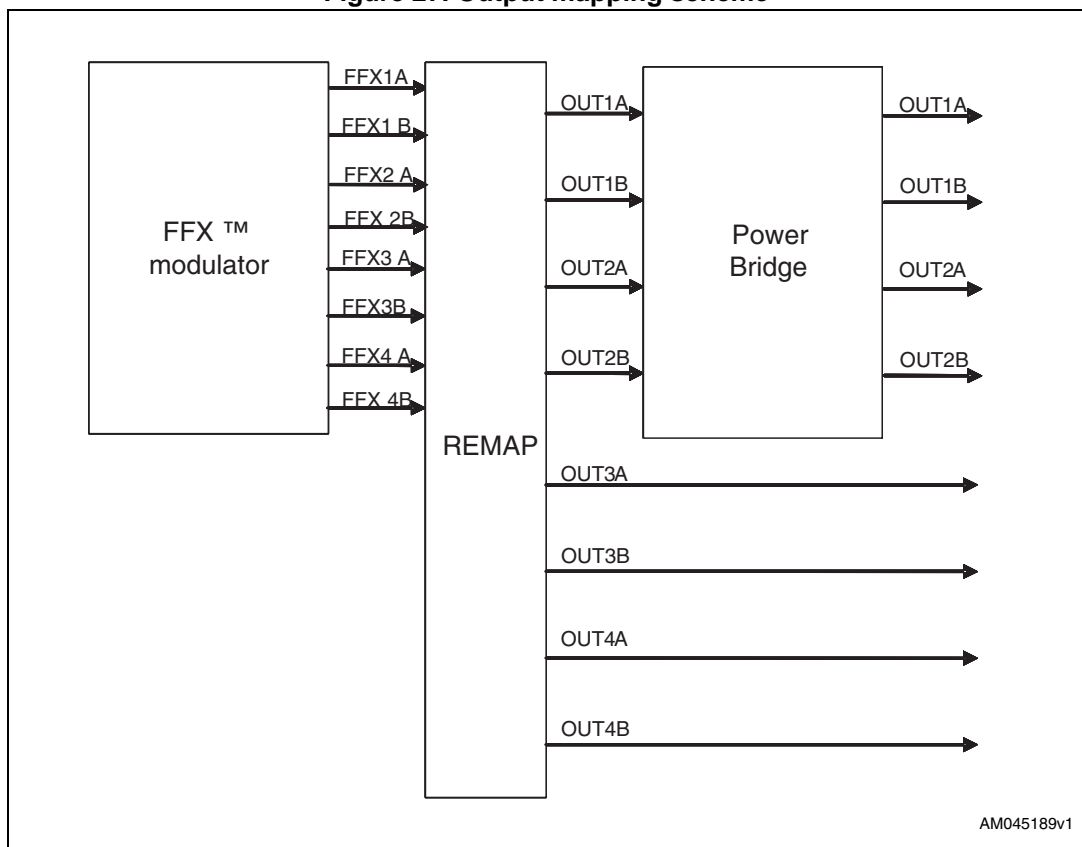


Figure 26. OCFG = 11



The STA350Bx can be configured to support different output configurations. For each PWM output channel a PWM slot is defined. A PWM slot is always $1 / (8 * f_s)$ second length. The PWM slot defines the maximum extension for the PWM rising and falling edge, that is, the rising edge as well as the falling edge cannot range outside the PWM slot boundaries.

Figure 27. Output mapping scheme



For each configuration the PWM signals from the digital driver are mapped in different ways to the power stage.

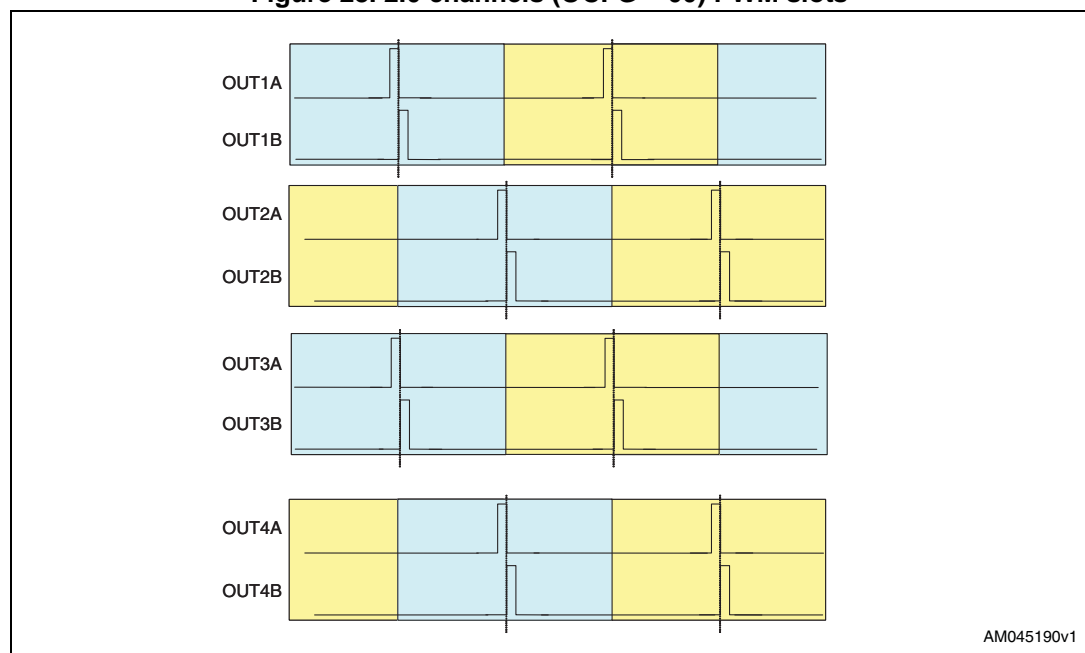
2.0 channels, two full-bridges (OCFG = 00)

- FFX1A -> OUT1A
- FFX1B -> OUT1B
- FFX2A -> OUT2A
- FFX2B -> OUT2B
- FFX3A -> OUT3A
- FFX3B -> OUT3B
- FFX4A -> OUT4A
- FFX4B -> OUT4B
- FFX1A/1B configured as ternary
- FFX2A/2B configured as ternary
- FFX3A/3B configured as lineout ternary
- FFX4A/4B configured as lineout ternary

On channel 3 line out (LOC bits = 00) the same data as channel 1 processing is sent. On channel 4 line out (LOC bits = 00) the same data as channel 2 processing is sent. In this configuration, neither volume control nor EQ has any effect on channels 3 and 4.

In this configuration the PWM slot phase is the following as shown in [Figure 28](#).

Figure 28. 2.0 channels (OCFG = 00) PWM slots



AM045190v1

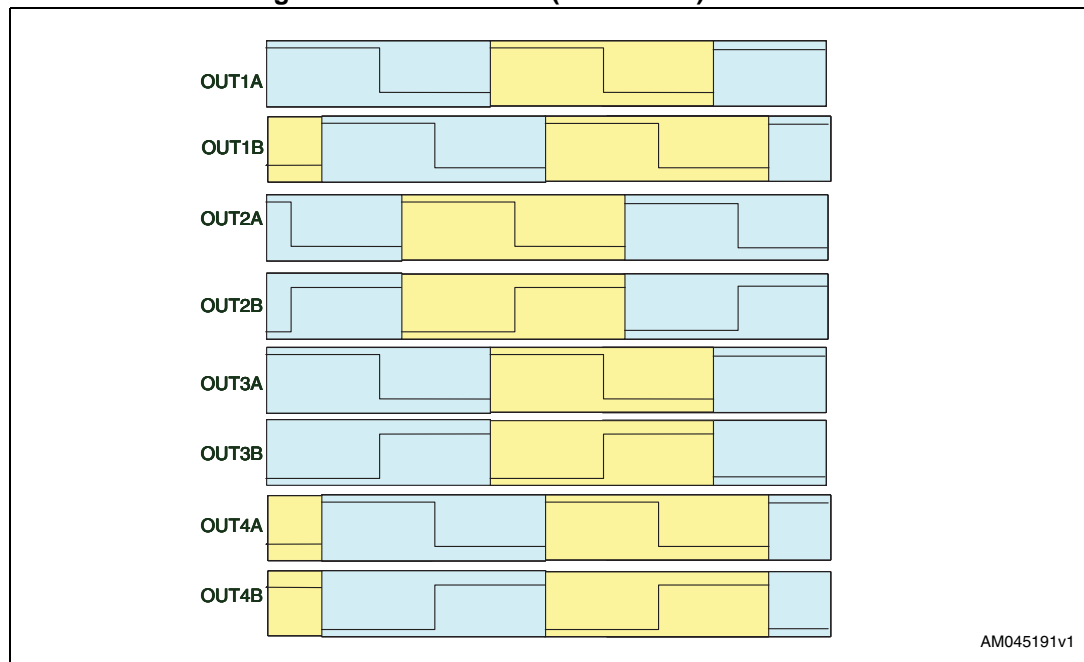
2.1 channels, two half-bridges + one full-bridge (OCFG = 01)

- FFX1A -> OUT1A
- FFX2A -> OUT1B
- FFX3A -> OUT2A
- FFX3B -> OUT2B
- FFX1A -> OUT3A
- FFX1B -> OUT3B
- FFX2A -> OUT4A
- FFX2B -> OUT4B
- FFX1A/1B configured as binary
- FFX2A/2B configured as binary
- FFX3A/3B configured as binary
- FFX4A/4B is not used

In this configuration, channel 3 has full control (volume, EQ, etc...). On OUT3/OUT4 channels the channel 1 and channel 2 PWM are replicated.

In this configuration the PWM slot phase is the following as shown in [Figure 29](#).

Figure 29. 2.1 channels (OCFG = 01) PWM slots



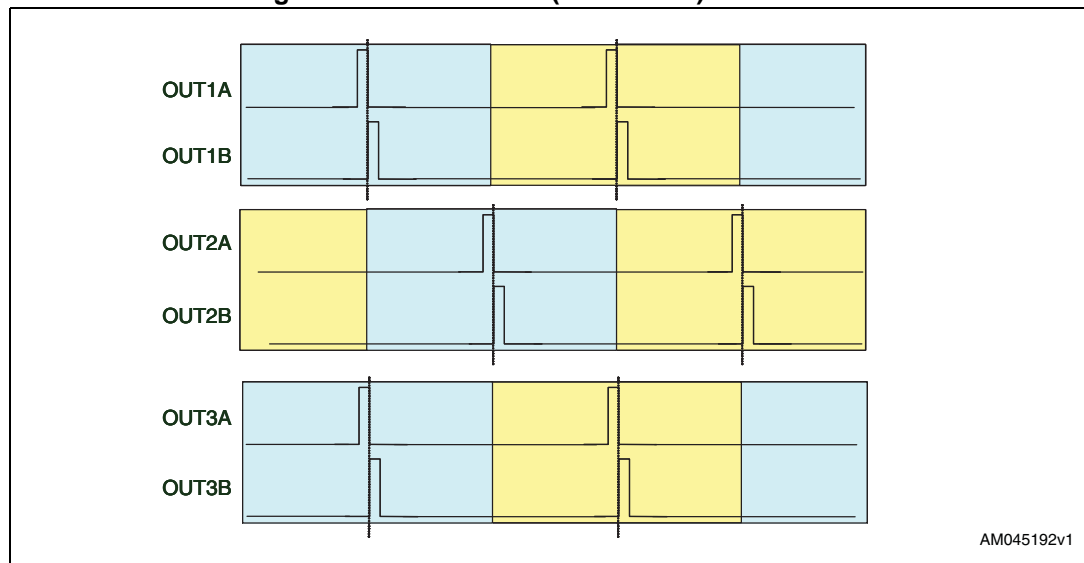
2.1 channels, two full-bridge + one external full-bridge (OCFG = 10)

- FFX1A -> OUT1A
- FFX1B -> OUT1B
- FFX2A -> OUT2A
- FFX2B -> OUT2B
- FFX3A -> OUT3A
- FFX3B -> OUT3B
- EAPD -> OUT4A
- TWARN -> OUT4B
- FFX1A/1B configured as ternary
- FFX2A/2B configured as ternary
- FFX3A/3B configured as ternary
- FFX4A/4B is not used

In this configuration, channel 3 has full control (volume, EQ, etc...). On OUT4 channel the external bridge control signals are muxed.

In this configuration the PWM slot phase is shown in [Figure 30](#).

Figure 30. 2.1 channels (OCFG = 10) PWM slots



8.6.2 Invalid input detect mute enable

Table 45. Invalid input detect mute enable

Bit	R/W	RST	Name	Description
2	R/W	1	IDE	Setting of 1 enables the automatic invalid input detect mute

Setting the IDE bit enables this function, which looks at the input I²S data and automatically mutes if the signals are perceived as invalid.

8.6.3 Binary output mode clock loss detection

Table 46. Binary output mode clock loss detection

Bit	R/W	RST	Name	Description
3	R/W	1	BCLE	Binary output mode clock loss detection enable

The BCLE bit detects loss of input MCLK in binary mode and outputs 50% duty cycle.

8.6.4 LRCK double trigger protection

Table 47. LRCK double trigger protection

Bit	R/W	RST	Name	Description
4	R/W	1	LDTE	LRCLK double trigger protection enable

The LDTE bit actively prevents double triggering of the LRCLK.

8.6.5 Auto EAPD on clock loss

Table 48. Auto EAPD on clock loss

Bit	R/W	RST	Name	Description
5	R/W	0	ECLE	Auto EAPD on clock loss

When active, the ECLE bit issues a power device power-down signal (EAPD) on clock loss detection.

8.6.6 IC power-down

Table 49. IC power-down

Bit	R/W	RST	Name	Description
7	R/W	1	PWDN	0: IC power-down low-power condition 1: IC normal operation

The PWDN register is used to place the IC in a low-power state. When PWDN is written as 0, the output begins a soft-mute. After the mute condition is reached, EAPD is asserted

to power down the power-stage, then the master clock to all internal hardware except the I²C block is gated. This places the IC in a very low power consumption state.

8.6.7 External amplifier power-down

Table 50. External amplifier power-down

Bit	R/W	RST	Name	Description
7	R/W	0	EAPD	0: External power stage power down active 1: Normal operation

The EAPD register directly disables/enables the internal power circuitry.

When EAPD = 0, the internal power section is placed in a low-power state (disabled). This register also controls the FFX4B/EAPD output pin when OCFG = 10.

8.7 Volume control registers (addr 0x06 - 0x0A)

8.7.1 Mute/line output configuration register

D7	D6	D5	D4	D3	D2	D1	D0
LOC1	LOC0	Reserved	Reserved	C3M	C2M	C1M	MMUTE
0	0	0	0	0	0	0	0

Table 51. Line output configuration

LOC[1:0]	Line output configuration
00	Line output fixed - no volume, no EQ
01	Line output variable - CH3 volume effects line output, no EQ
10	Line output variable with EQ - CH3 volume effects line output

Line output is active when OCFG = 00 only. In this case LOC determines the line output configuration. The source of the line output is always the channel 1 and 2 inputs.

8.7.2 Master volume register

D7	D6	D5	D4	D3	D2	D1	D0
MV7	MV6	MV5	MV4	MV3	MV2	MV1	MV0
1	1	1	1	1	1	1	1

8.7.3 Channel 1 volume

D7	D6	D5	D4	D3	D2	D1	D0
C1V7	C1V6	C1V5	C1V4	C1V3	C1V2	C1V1	C1V0
0	1	1	0	0	0	0	0

8.7.4 Channel 2 volume

D7	D6	D5	D4	D3	D2	D1	D0
C2V7	C2V6	C2V5	C2V4	C2V3	C2V2	C2V1	C2V0
0	1	1	0	0	0	0	0

8.7.5 Channel 3 / line output volume

D7	D6	D5	D4	D3	D2	D1	D0
C3V7	C3V6	C3V5	C3V4	C3V3	C3V2	C3V1	C3V0
0	1	1	0	0	0	0	0

The volume structure of the STA350Bx consists of individual volume registers for each channel and a master volume register that provides an offset to each channel volume setting. The individual channel volumes are adjustable in 0.5 dB steps from +48 dB to -80 dB.

As an example if C3V = 0x00 or +48 dB and MV = 0x18 or -12 dB, then the total gain for channel 3 = +36 dB.

The master mute, when set to 1, mutes all channels at once, whereas the individual channel mute (CxM) mutes only that channel. Both the master mute and the channel mutes provide a “soft mute” with the volume ramping down to mute in 4096 samples from the maximum volume setting at the internal processing rate (approximately 96 kHz).

A “hard (instantaneous) mute” can be obtained by programming a value of 0xFF (255) to any channel volume register or the master volume register. When volume offsets are provided via the master volume register, any channel whose total volume is less than -80 dB is muted.

All changes in volume take place at zero-crossings when ZCE = 1 ([Configuration register E \(addr 0x04\)](#)) on a per channel basis as this creates the smoothest possible volume transitions. When ZCE = 0, volume updates occur immediately.

Table 52. Master volume offset as a function of MV[7:0]

MV[7:0]	Volume offset from channel value
00000000 (0x00)	0 dB
00000001 (0x01)	-0.5 dB
00000010 (0x02)	-1 dB
...	...
01001100 (0x4C)	-38 dB
...	...
11111110 (0xFE)	-127.5 dB
11111111 (0xFF)	Hard master mute

Table 53. Channel volume as a function of CxV[7:0]

CxV[7:0]	Volume
00000000 (0x00)	+48 dB
00000001 (0x01)	+47.5 dB
00000010 (0x02)	+47 dB
...	...
01011111 (0x5F)	+0.5 dB
01100000 (0x60)	0 dB
01100001 (0x61)	-0.5 dB
...	...
11010111 (0xD7)	-59.5 dB
11011000 (0xD8)	-60 dB
11011001 (0xD9)	-61 dB
11011010 (0xDA)	-62 dB
...	...
11101100 (0xEC)	-80 dB
11101101 (0xED)	Hard channel mute
...	...
11111111 (0xFF)	Hard channel mute

8.8 Audio preset registers (addr 0x0B and 0x0C)

8.8.1 Audio preset register 1 (addr 0x0B)

D7	D6	D5	D4	D3	D2	D1	D0
Reserved	Reserved	AMGC[1]	AMGC[0]	Reserved	Reserved	Reserved	Reserved
0	0	0	0	0	0	0	0

Using AMGC[3:0] bits, attack and release thresholds and rates are automatically configured to properly fit application specific configurations. AMGC[3:2] is defined in register [EQ coefficients and DRC configuration register \(addr 0x31\) on page 75](#).

The AMGC[1:0] bits behave in two different ways depending on the value of AMGC[3:2]. When this value is 00, then bits AMGC[1:0] are defined in [Table 54](#).

Table 54. Audio preset gain compression/limiters selection for AMGC[3:2] = 00

AMGC[1:0]	Mode
00	User-programmable GC
01	AC no clipping 2.1
10	AC limited clipping (10%) 2.1
11	DRC nighttime listening mode 2.1

8.8.2 Audio preset register 2 (addr 0x0C)

D7	D6	D5	D4	D3	D2	D1	D0
XO3	XO2	XO1	XO0	AMAM2	AMAM1	AMAM0	AMAME
0	0	0	0	0	0	0	0

8.8.3 AM interference frequency switching

Table 55. AM interference frequency switching bits

Bit	R/W	RST	Name	Description
0	R/W	0	AMAME	Audio preset AM enable 0: switching frequency determined by PWMS setting 1: switching frequency determined by AMAM settings

Table 56. Audio preset AM switching frequency selection

AMAM[2:0]	48 kHz/96 kHz input f_s	44.1 kHz/88.2 kHz input f_s
000	0.535 MHz - 0.720 MHz	0.535 MHz - 0.670 MHz
001	0.721 MHz - 0.900 MHz	0.671 MHz - 0.800 MHz
010	0.901 MHz - 1.100 MHz	0.801 MHz - 1.000 MHz
011	1.101 MHz - 1.300 MHz	1.001 MHz - 1.180 MHz
100	1.301 MHz - 1.480 MHz	1.181 MHz - 1.340 MHz
101	1.481 MHz - 1.600 MHz	1.341 MHz - 1.500 MHz
110	1.601 MHz - 1.700 MHz	1.501 MHz - 1.700 MHz

8.8.4 Bass management crossover

Table 57. Bass management crossover

Bit	R/W	RST	Name	Description
4	R/W	0	XO0	Selects the bass-management cross-over frequency. A 1 st -order high-pass filter (channels 1 and 2) or a 2 nd -order low-pass filter (channel 3) at the selected frequency is performed.
5	R/W	0	XO1	
6	R/W	0	XO2	
7	R/W	0	XO3	

Table 58. Bass management crossover frequency

XO[3:0]	Crossover frequency
0000	User-defined
0001	80 Hz
0010	100 Hz
0011	120 Hz

Table 58. Bass management crossover frequency (continued)

XO[3:0]	Crossover frequency
0100	140 Hz
0101	160 Hz
0110	180 Hz
0111	200 Hz
1000	220 Hz
1001	240 Hz
1010	260 Hz
1011	280 Hz
1100	300 Hz
1101	320 Hz
1110	340 Hz
1111	360 Hz

8.9 Channel configuration registers (addr 0x0E - 0x10)

D7	D6	D5	D4	D3	D2	D1	D0
C1OM1	C1OM0	C1LS1	C1LS0	C1BO	C1VPB	C1EQBP	C1TCB
0	0	0	0	0	0	0	0

D7	D6	D5	D4	D3	D2	D1	D0
C2OM1	C2OM0	C2LS1	C2LS0	C2BO	C2VPB	C2EQBP	C2TCB
0	1	0	0	0	0	0	0

D7	D6	D5	D4	D3	D2	D1	D0
C3OM1	C3OM0	C3LS1	C3LS0	C3BO	C3VPB	Reserved	Reserved
1	0	0	0	0	0	0	0

8.9.1 Tone control bypass

Tone control (bass/treble) can be bypassed on a per-channel basis for channels 1 and 2.

Table 59. Tone control bypass

CxTCB	Mode
0	Perform tone control on channel x - normal operation
1	Bypass tone control on channel x

8.9.2 EQ bypass

EQ control can be bypassed on a per-channel basis for channels 1 and 2. If EQ control is bypassed on a given channel, the prescale and all filters (high-pass, biquads, de-emphasis, bass, treble in any combination) are bypassed for that channel.

Table 60. EQ bypass

CxEQBP	Mode
0	Perform EQ on channel x - normal operation
1	Bypass EQ on channel x

8.9.3 Volume bypass

Each channel contains an individual channel volume bypass. If a particular channel has volume bypassed via the CxVBP = 1 register then only the channel volume setting for that particular channel affects the volume setting, the master volume setting does not affect that channel.

8.9.4 Binary output enable registers

Each individual channel output can be set to output a binary PWM stream. In this mode output A of a channel is considered the positive output and output B is the negative inverse.

Table 61. Binary output enable registers

CxBO	Mode
0	FFX 3-state output - normal operation
1	Binary output

8.9.5 Limiter select

Limiter selection can be made on a per-channel basis according to the channel limiter select bits.

Table 62. Channel limiter mapping as a function of CxLS bits

CxLS[1:0]	Channel limiter mapping
00	Channel has limiting disabled
01	Channel is mapped to limiter #1
10	Channel is mapped to limiter #2

8.9.6 Output mapping

Output mapping can be performed on a per channel basis according to the CxOM channel output mapping bits. Each input into the output configuration engine can receive data from any of the three processing channel outputs.

Table 63. Channel output mapping as a function of CxOM bits

CxOM[1:0]	Channel x output source from
00	Channel1
01	Channel 2
10	Channel 3

8.10 Tone control register (addr 0x11)

D7	D6	D5	D4	D3	D2	D1	D0
TTC3	TTC2	TTC1	TTC0	BTC3	BTC2	BTC1	BTC0
0	1	1	1	0	1	1	1

8.10.1 Tone control

Table 64. Tone control boost/cut as a function of BTC and TTC bits

BTC[3:0]/TTC[3:0]	Boost/cut
0000	-12 dB
0001	-12 dB
...	...
0111	-4 dB
0110	-2 dB
0111	0 dB
1000	+2 dB
1001	+4 dB
...	...
1101	+12 dB
1110	+12 dB
1111	+12 dB

8.11 Dynamic control registers (addr 0x12 - 0x15)

8.11.1 Limiter 1 attack/release rate

D7	D6	D5	D4	D3	D2	D1	D0
L1A3	L1A2	L1A1	L1A0	L1R3	L1R2	L1R1	L1R0
0	1	1	0	1	0	1	0

8.11.2 Limiter 1 attack/release threshold

D7	D6	D5	D4	D3	D2	D1	D0
L1AT3	L1AT2	L1AT1	L1AT0	L1RT3	L1RT2	L1RT1	L1RT0
0	1	1	0	1	0	0	1

8.11.3 Limiter 2 attack/release rate

D7	D6	D5	D4	D3	D2	D1	D0
L2A3	L2A2	L2A1	L2A0	L2R3	L2R2	L2R1	L2R0
0	1	1	0	1	0	1	0

8.11.4 Limiter 2 attack/release threshold

D7	D6	D5	D4	D3	D2	D1	D0
L2AT3	L2AT2	L2AT1	L2AT0	L2RT3	L2RT2	L2RT1	L2RT0
0	1	1	0	1	0	0	1

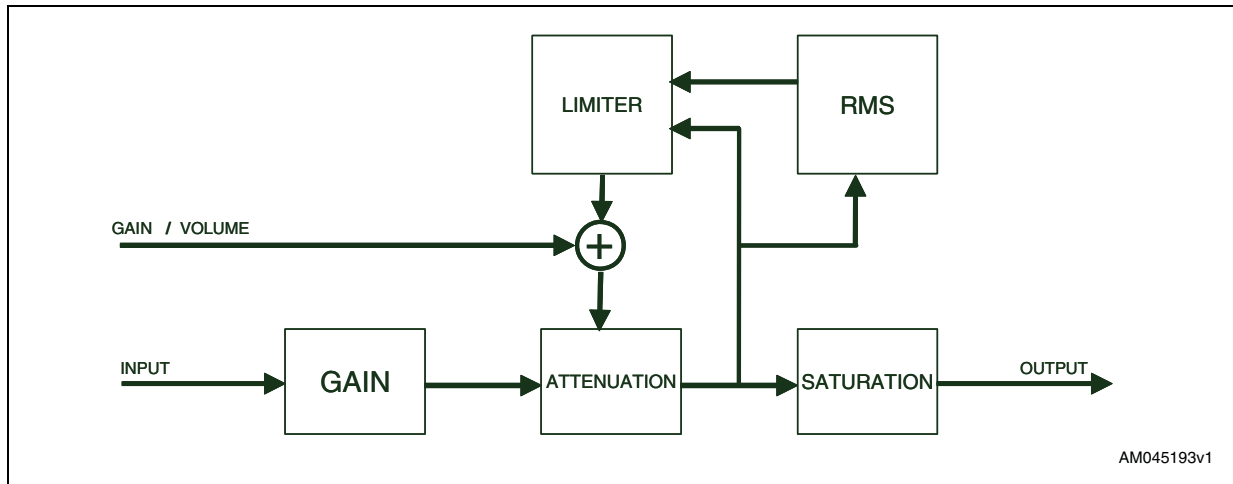
The STA350Bx includes two independent limiter blocks. The purpose of the limiters is to automatically reduce the dynamic range of a recording to prevent the outputs from clipping in anti-clipping mode or to actively reduce the dynamic range for a better listening environment such as a night-time listening mode which is often needed for DVDs. The two modes are selected via the DRC bit in [Configuration register E \(addr 0x04\) on page 46](#). Each channel can be mapped to either limiter or not mapped, meaning that the channel clips when 0 dBfs is exceeded. Each limiter looks at the present value of each channel that is mapped to it, selects the maximum absolute value of all these channels, performs the limiting algorithm on that value, and then if needed adjusts the gain of the mapped channels in unison.

The limiter attack thresholds are determined by the LxAT registers if EATHx[7] bits are set to 0 else the thresholds are determined by EATHx[6:0]. It is recommended in anti-clipping mode to set this to 0 dBfs, which corresponds to the maximum unclipped output power of an FFX amplifier. Since gain can be added digitally within the STA350Bx, it is possible to exceed 0 dBfs or any other LxAT setting. When this occurs, the limiter, when active, automatically starts reducing the gain. The rate at which the gain is reduced when the attack threshold is exceeded is dependent upon the attack rate register setting for that limiter. Gain reduction occurs on a peak-detect algorithm. Setting the EATHx[7] bits to 1 selects the anti-clipping mode.

The limiter release thresholds are determined by the LxRT registers if ERTx[7] bits are set to 0, else the thresholds are determined by ERTx[6:0]. Setting the ERTx[7] bits to 1 automatically selects the anti-clipping mode. The release of the limiter, when the gain is again increased, is dependent on an RMS-detect algorithm. The output of the volume/limiter block is passed through an RMS filter. The output of this filter is compared to the release threshold, determined by the Release Threshold register. When the RMS filter output falls below the release threshold, the gain is again increased at a rate dependent upon the Release rate register. The gain can never be increased past its set value and, therefore, the release only occurs if the limiter has already reduced the gain. The release threshold value can be used to set what is effectively a minimum dynamic range, this is helpful as overlimiting can reduce the dynamic range to virtually zero and cause program material to sound "lifeless".

In AC mode, the attack and release thresholds are set relative to full-scale. In DRC mode, the attack threshold is set relative to the maximum volume setting of the channels mapped to that limiter and the release threshold is set relative to the maximum volume setting plus the attack threshold.

Figure 31. Basic limiter and volume flow diagram



AM045193v1

Table 65. Limiter attack rate as a function of LxA bits

LxA[3:0]	Attack rate dB/ms	
0000	3.1584	Fast ↓ Slow
0001	2.7072	
0010	2.2560	
0011	1.8048	
0100	1.3536	
0101	0.9024	
0110	0.4512	
0111	0.2256	
1000	0.1504	
1001	0.1123	
1010	0.0902	
1011	0.0752	
1100	0.0645	
1101	0.0564	
1110	0.0501	
1111	0.0451	

Table 66. Limiter release rate as a function of LxR bits

LxR[3:0]	Release rate dB/ms	
0000	0.5116	Fast ↓ Slow
0001	0.1370	
0010	0.0744	
0011	0.0499	
0100	0.0360	
0101	0.0299	
0110	0.0264	
0111	0.0208	
1000	0.0198	
1001	0.0172	
1010	0.0147	
1011	0.0137	
1100	0.0134	
1101	0.0117	
1110	0.0110	
1111	0.0104	

Anti-clipping mode

Table 67. Limiter attack threshold as a function of LxAT bits (AC-mode)

LxAT[3:0]	AC (dB relative to fs)
0000	-12
0001	-10
0010	-8
0011	-6
0100	-4
0101	-2
0110	0
0111	+2
1000	+3
1001	+4
1010	+5
1011	+6
1100	+7
1101	+8
1110	+9
1111	+10

Table 68. Limiter release threshold as a function of LxRT bits (AC-mode)

LxRT[3:0]	AC (dB relative to fs)
0000	$-\infty$
0001	-29 dB
0010	-20 dB
0011	-16 dB
0100	-14 dB
0101	-12 dB
0110	-10 dB
0111	-8 dB
1000	-7 dB
1001	-6 dB
1010	-5 dB
1011	-4 dB
1100	-3 dB
1101	-2 dB
1110	-1 dB
1111	-0 dB

Dynamic range compression mode

Table 69. Limiter attack threshold as a function of LxAT bits (DRC -mode)

LxAT[3:0]	DRC (dB relative to Volume)
0000	-31
0001	-29
0010	-27
0011	-25
0100	-23
0101	-21
0110	-19
0111	-17
1000	-16
1001	-15
1010	-14
1011	-13
1100	-12
1101	-10
1110	-7
1111	-4

Table 70. Limiter release threshold as a function of LxRT bits (DRC-mode)

LxRT[3:0]	DRC (db relative to Volume + LxAT)
0000	-∞
0001	-38 dB
0010	-36 dB
0011	-33 dB
0100	-31 dB
0101	-30 dB
0110	-28 dB
0111	-26 dB
1000	-24 dB
1001	-22 dB
1010	-20 dB
1011	-18 dB
1100	-15 dB
1101	-12 dB
1110	-9 dB
1111	-6 dB

8.11.5 Limiter 1 extended attack threshold (addr 0x32)

D7	D6	D5	D4	D3	D2	D1	D0
EATHEN1	EATH1[6]	EATH1[5]	EATH1[4]	EATH1[3]	EATH1[2]	EATH1[1]	EATH1[0]
TBD	TBD	TBD	TBD	TBD	TBD	TBD	TBD

The extended attack threshold value is determined as follows:

$$\text{attack threshold} = -12 + \text{EATH1} / 4$$

8.11.6 Limiter 1 extended release threshold (addr 0x33)

D7	D6	D5	D4	D3	D2	D1	D0
ERTHEN1	ERTH1[6]	ERTH1[5]	ERTH1[4]	ERTH1[3]	ERTH1[2]	ERTH1[1]	ERTH1[0]
TBD	TBD	TBD	TBD	TBD	TBD	TBD	TBD

The extended release threshold value is determined as follows:

$$\text{release threshold} = -12 + \text{ERTH1} / 4$$

8.11.7 Limiter 2 extended attack threshold (addr 0x34)

D7	D6	D5	D4	D3	D2	D1	D0
EATHEN2	EATH2[6]	EATH2[5]	EATH2[4]	EATH2[3]	EATH2[2]	EATH2[1]	EATH2[0]
TBD	TBD	TBD	TBD	TBD	TBD	TBD	TBD

The extended attack threshold value is determined as follows:

$$\text{attack threshold} = -12 + \text{EATH2} / 4$$

8.11.8 Limiter 2 extended release threshold (addr 0x35)

D7	D6	D5	D4	D3	D2	D1	D0
ERTHEN2	ERTH2[6]	ERTH2[5]	ERTH2[4]	ERTH2[3]	ERTH2[2]	ERTH2[1]	ERTH2[0]
TBD	TBD	TBD	TBD	TBD	TBD	TBD	TBD

The extended release threshold value is determined as follows:

$$\text{release threshold} = -12 + \text{ERTH2} / 4$$

Note: Attack/release threshold step is 0.125 dB in the range -12 dB to 0 dB.

8.12 User-defined coefficient control registers (addr 0x16 - 0x26)

8.12.1 Coefficient address register

D7	D6	D5	D4	D3	D2	D1	D0
		CFA5	CFA4	CFA3	CFA2	CFA1	CFA0
		0	0	0	0	0	0

8.12.2 Coefficient b1 data register bits 23:16

D7	D6	D5	D4	D3	D2	D1	D0
C1B23	C1B22	C1B21	C1B20	C1B19	C1B18	C1B17	C1B16
0	0	0	0	0	0	0	0

8.12.3 Coefficient b1 data register bits 15:8

D7	D6	D5	D4	D3	D2	D1	D0
C1B15	C1B14	C1B13	C1B12	C1B11	C1B10	C1B9	C1B8
0	0	0	0	0	0	0	0

8.12.4 Coefficient b1 data register bits 7:0

D7	D6	D5	D4	D3	D2	D1	D0
C1B7	C1B6	C1B5	C1B4	C1B3	C1B2	C1B1	C1B0
0	0	0	0	0	0	0	0

8.12.5 Coefficient b2 data register bits 23:16

D7	D6	D5	D4	D3	D2	D1	D0
C2B23	C2B22	C2B21	C2B20	C2B19	C2B18	C2B17	C2B16
0	0	0	0	0	0	0	0

8.12.6 Coefficient b2 data register bits 15:8

D7	D6	D5	D4	D3	D2	D1	D0
C2B15	C2B14	C2B13	C2B12	C2B11	C2B10	C2B9	C2B8
0	0	0	0	0	0	0	0

8.12.7 Coefficient b2 data register bits 7:0

D7	D6	D5	D4	D3	D2	D1	D0
C2B7	C2B6	C2B5	C2B4	C2B3	C2B2	C2B1	C2B0
0	0	0	0	0	0	0	0

8.12.8 Coefficient a1 data register bits 23:16

D7	D6	D5	D4	D3	D2	D1	D0
C1B23	C1B22	C1B21	C1B20	C1B19	C1B18	C1B17	C1B16
0	0	0	0	0	0	0	0

8.12.9 Coefficient a1 data register bits 15:8

D7	D6	D5	D4	D3	D2	D1	D0
C3B15	C3B14	C3B13	C3B12	C3B11	C3B10	C3B9	C3B8
0	0	0	0	0	0	0	0

8.12.10 Coefficient a1 data register bits 7:0

D7	D6	D5	D4	D3	D2	D1	D0
C3B7	C3B6	C3B5	C3B4	C3B3	C3B2	C3B1	C3B0
0	0	0	0	0	0	0	0

8.12.11 Coefficient a2 data register bits 23:16

D7	D6	D5	D4	D3	D2	D1	D0
C4B23	C4B22	C4B21	C4B20	C4B19	C4B18	C4B17	C4B16
0	0	0	0	0	0	0	0

8.12.12 Coefficient a2 data register bits 15:8

D7	D6	D5	D4	D3	D2	D1	D0
C4B15	C4B14	C4B13	C4B12	C4B11	C4B10	C4B9	C4B8
0	0	0	0	0	0	0	0

8.12.13 Coefficient a2 data register bits 7:0

D7	D6	D5	D4	D3	D2	D1	D0
C4B7	C4B6	C4B5	C4B4	C4B3	C4B2	C4B1	C4B0
0	0	0	0	0	0	0	0

8.12.14 Coefficient b0 data register bits 23:16

D7	D6	D5	D4	D3	D2	D1	D0
C5B23	C5B22	C5B21	C5B20	C5B19	C5B18	C5B17	C5B16
0	0	0	0	0	0	0	0

8.12.15 Coefficient b0 data register bits 15:8

D7	D6	D5	D4	D3	D2	D1	D0
C5B15	C5B14	C5B13	C5B12	C5B11	C5B10	C5B9	C5B8
0	0	0	0	0	0	0	0

8.12.16 Coefficient b0 data register bits 7:0

D7	D6	D5	D4	D3	D2	D1	D0
C5B7	C5B6	C5B5	C5B4	C5B3	C5B2	C5B1	C5B0
0	0	0	0	0	0	0	0

8.12.17 Coefficient write/read control register

D7	D6	D5	D4	D3	D2	D1	D0
Reserved				RA	R1	WA	W1
0				0	0	0	0

Coefficients for user-defined EQ, mixing, scaling, and bass management are handled internally in the STA350Bx via RAM. Access to this RAM is available to the user via an I²C register interface. A collection of I²C registers are dedicated to this function. One contains a coefficient base address, five sets of three store the values of the 24-bit coefficients to be written or that were read, and one contains bits used to control the write/read of the coefficient(s) to/from RAM.

Three different RAM banks are embedded in the STA350Bx. The three banks are managed in paging mode using EQCFG register bits. They can be used to store different EQ settings. For speaker frequency compensation, a sampling frequency independent EQ must be implemented. Computing three different coefficients set for 32 kHz, 44.1kHz, 48 kHz and downloading them into the three RAM banks, it is possible to select the suitable RAM block depending on the incoming frequency with a simple I²C write operation in register 0x31.

For example, in case of different input sources (different sampling rates), the three different sets of coefficients can be downloaded once at startup, and during normal play it is possible to switch among the three RAM blocks allowing faster operation, without any additional download from the microcontroller.

To write the coefficients in a particular RAM bank, this bank must be selected first, writing bit 0 and bit 1 in register 0x31. Then the write procedure below can be used.

Note that as soon as a RAM bank is selected, the EQ settings are automatically switched to the coefficients stored in the active RAM block.

Note: The read write operation on RAM coefficients works only if RLCKI (pin29) is switching and stable (ref. [Table 7](#), tLRJT timing) and PLL must be locked (ref bit D7 reg 0x2D).

Reading a coefficient from RAM

1. Select the RAM block with register 0x31 bit 1, bit 0.
2. Write 6 bits of address to I²C register 0x16.
3. Write 1 to R1 bit in I²C address 0x26.
4. Read top 8 bits of coefficient in I²C address 0x17.
5. Read middle 8 bits of coefficient in I²C address 0x18.
6. Read bottom 8 bits of coefficient in I²C address 0x19.

Reading a set of coefficients from RAM

1. Select the RAM block with register 0x31 bit1, bit0.
2. Write 6 bits of address to I²C register 0x16.
3. Write 1 to RA bit in I²C address 0x26.
4. Read top 8 bits of coefficient in I²C address 0x17.
5. Read middle 8 bits of coefficient in I²C address 0x18.
6. Read bottom 8 bits of coefficient in I²C address 0x19.
7. Read top 8 bits of coefficient b2 in I²C address 0x1A.
8. Read middle 8 bits of coefficient b2 in I²C address 0x1B.
9. Read bottom 8 bits of coefficient b2 in I²C address 0x1C.
10. Read top 8 bits of coefficient a1 in I²C address 0x1D.
11. Read middle 8 bits of coefficient a1 in I²C address 0x1E.
12. Read bottom 8 bits of coefficient a1 in I²C address 0x1F.
13. Read top 8 bits of coefficient a2 in I²C address 0x20.
14. Read middle 8 bits of coefficient a2 in I²C address 0x21.
15. Read bottom 8 bits of coefficient a2 in I²C address 0x22.
16. Read top 8 bits of coefficient b0 in I²C address 0x23.
17. Read middle 8 bits of coefficient b0 in I²C address 0x24.
18. Read bottom 8 bits of coefficient b0 in I²C address 0x25.

Writing a single coefficient to RAM

1. Select the RAM block with register 0x31 bit1, bit0.
2. Write 6 bits of address to I²C register 0x16.
3. Write top 8 bits of coefficient in I²C address 0x17.
4. Write middle 8 bits of coefficient in I²C address 0x18.
5. Write bottom 8 bits of coefficient in I²C address 0x19.
6. Write 1 to the W1 bit in I²C address 0x26.

Writing a set of coefficients to RAM

1. Select the RAM block with register 0x31 bit1, bit0.
2. Write 6 bits of starting address to I²C register 0x16.
3. Write top 8 bits of coefficient b1 in I²C address 0x17.
4. Write middle 8 bits of coefficient b1 in I²C address 0x18.
5. Write bottom 8 bits of coefficient b1 in I²C address 0x19.
6. Write top 8 bits of coefficient b2 in I²C address 0x1A.
7. Write middle 8 bits of coefficient b2 in I²C address 0x1B.
8. Write bottom 8 bits of coefficient b2 in I²C address 0x1C.
9. Write top 8 bits of coefficient a1 in I²C address 0x1D.
10. Write middle 8 bits of coefficient a1 in I²C address 0x1E.
11. Write bottom 8 bits of coefficient a1 in I²C address 0x1F.
12. Write top 8 bits of coefficient a2 in I²C address 0x20.
13. Write middle 8 bits of coefficient a2 in I²C address 0x21.
14. Write bottom 8 bits of coefficient a2 in I²C address 0x22.
15. Write top 8 bits of coefficient b0 in I²C address 0x23.
16. Write middle 8 bits of coefficient b0 in I²C address 0x24.
17. Write bottom 8 bits of coefficient b0 in I²C address 0x25.
18. Write 1 to the WA bit in I²C address 0x26.

The mechanism for writing a set of coefficients to RAM provides a method of updating the five coefficients corresponding to a given biquad (filter) simultaneously to avoid possible unpleasant acoustic side-effects. When using this technique, the 6-bit address specifies the address of the biquad b1 coefficient (for example, 0, 5, 10, 20, 35 decimal), and the STA350Bx generates the RAM addresses as offsets from this base value to write the complete set of coefficient data.

8.12.18 User-defined EQ

The STA350Bx can be programmed for four EQ filters (biquads) per each of the two input channels. The biquads use the following equation:

$$Y[n] = 2 * (b_0 / 2) * X[n] + 2 * (b_1 / 2) * X[n-1] + b_2 * X[n-2] - 2 * (a_1 / 2) * Y[n-1] - a_2 * Y[n-2]$$

$$= b_0 * X[n] + b_1 * X[n-1] + b_2 * X[n-2] - a_1 * Y[n-1] - a_2 * Y[n-2]$$

where $Y[n]$ represents the output and $X[n]$ represents the input. Multipliers are 24-bit signed fractional multipliers, with coefficient values in the range of 0x800000 (-1) to 0x7FFFFFFF (0.9999998808).

Coefficients stored in the user-defined coefficient RAM are referenced in the following manner:

$$CxHy0 = b_1 / 2$$

$$CxHy1 = b_2$$

$$CxHy2 = -a_1 / 2$$

$$CxHy3 = -a_2$$

$$CxHy4 = b_0 / 2$$

where x represents the channel and the y the biquad number. For example, C2H41 is the b_2 coefficient in the fourth biquad for channel 2.

Additionally, the STA350Bx can be programmed for a high-pass filter (processing channels 1 and 2) and a low-pass filter (processing channel 3) to be used for bass-management crossover when the XO setting is 000 (user-defined). Both of these filters when defined by the user (rather than using the preset crossover filters) are second order filters that use the biquad equation given above. They are loaded into the C12H0-4 and C3Hy0-4 areas of RAM noted in [Table 71](#).

By default, all user-defined filters are pass-through where all coefficients are set to 0, except the $b_0/2$ coefficient which is set to 0x400000 (representing 0.5).

8.12.19 Pre-scale

The STA350Bx provides a multiplication for each input channel for the purpose of scaling the input prior to EQ. This pre-EQ scaling is accomplished by using a 24-bit signed fractional multiplier, with 0x800000 = -1 and 0x7FFFFFFF = 0.9999998808. The scale factor for this multiplication is loaded into RAM using the same I²C registers as the biquad coefficients and the bass-management. All channels can use the channel-1 pre-scale factor by setting the Biquad link bit. By default, all pre-scale factors are set to 0x7FFFFFFF.

8.12.20 Post-scale

The STA350Bx provides one additional multiplication after the last interpolation stage and the distortion compensation on each channel. This post-scaling is accomplished by using a 24-bit signed fractional multiplier, with 0x800000 = -1 and 0x7FFFFFFF = 0.9999998808. The scale factor for this multiplication is loaded into RAM using the same I²C registers as the biquad coefficients and the bass-management. This post-scale factor can be used in conjunction with an ADC equipped microcontroller to perform power-supply error correction. All channels can use the channel-1 post-scale factor by setting the post-scale link bit. By default, all post-scale factors are set to 0x7FFFFFFF. When line output is being used, channel-3 post-scale will affect both channels 3 and 4.

8.12.21 Overcurrent post-scale

The STA350Bx provides a simple mechanism for reacting to overcurrent detection in the power block. When the *ocwarn* input is asserted, the overcurrent post-scale value is used in place of the normal post-scale value to provide output attenuation on all channels. The default setting provides 3 dB of output attenuation when *ocwarn* is asserted.

The amount of attenuation to be applied in this situation can be adjusted by modifying the overcurrent post-scale value. As with the normal post-scale, this scaling value is a 24-bit signed fractional multiplier, with $0x800000 = -1$ and $0x7FFFFFFF = 0.9999998808$. By default, the overcurrent post-scale factor is set to $0x5A9DF7$. Once the overcurrent attenuation is applied, it remains until the device is reset.

Table 71. RAM block for biquads, mixing, scaling and bass management

Index (decimal)	Index (hex)		Coefficient	Default
0	0x00	Channel 1 - biquad 1	C1H10(b1/2)	0x000000
1	0x01		C1H11(b2)	0x000000
2	0x02		C1H12(a1/2)	0x000000
3	0x03		C1H13(a2)	0x000000
4	0x04		C1H14(b0/2)	0x400000
5	0x05	Channel 1 - biquad 2	C1H20	0x000000
...
19	0x13	Channel 1 - biquad 4	C1H44	0x400000
20	0x14	Channel 2 - biquad 1	C2H10	0x000000
21	0x15		C2H11	0x000000
...
39	0x27	Channel 2 - biquad 4	C2H44	0x400000
40	0x28	Channel 1/2 - biquad 5 for XO = 000 Hi-pass 2 nd Order filter for XO≠000	C12H0(b1/2)	0x000000
41	0x29		C12H1(b2)	0x000000
42	0x2A		C12H2(a1/2)	0x000000
43	0x2B		C12H3(a2)	0x000000
44	0x2C		C12H4(b0/2)	0x400000
45	0x2D	Channel 3 - biquad for XO = 000 Low-pass 2 nd -order filter for XO≠000	C3H0(b1/2)	0x000000
46	0x2E		C3H1(b2)	0x000000
47	0x2F		C3H2(a1/2)	0x000000
48	0x30		C3H3(a2)	0x000000
49	0x31		C3H4(b0/2)	0x400000
50	0x32	Channel 1 - pre-scale	C1PreS	0x7FFFFFFF
51	0x33	Channel 2 - pre-scale	C2PreS	0x7FFFFFFF
52	0x34	Channel 1 - pre-scale	C1PstS	0x7FFFFFFF
53	0x35	Channel 2 - pre-scale	C2PstS	0x7FFFFFFF

Table 71. RAM block for biquads, mixing, scaling and bass management (continued)

Index (decimal)	Index (hex)		Coefficient	Default
54	0x36	Channel 3 - post-scale	C3PstS	0x7FFFFFFF
55	0x37	TWARN/OC - Limit	TWOCL	0x5A9DF7
56	0x38	Channel 1 - Mix 1	C1MX1	0x7FFFFFFF
57	0x39	Channel 1 - Mix 2	C1MX2	0x000000
58	0x3A	Channel 2 - Mix 1	C2MX1	0x000000
59	0x3B	Channel 2 - Mix 2	C2MX2	0x7FFFFFFF
60	0x3C	Channel 3 - Mix 1	C3MX1	0x400000
61	0x3D	Channel 3 - Mix 2	C3MX2	0x400000
62	0x3E	UNUSED		
63	0x3F	UNUSED		

8.13 Variable max. power correction registers (addr 0x27 - 0x28)

D7	D6	D5	D4	D3	D2	D1	D0
MPCC15	MPCC14	MPCC13	MPCC12	MPCC11	MPCC10	MPCC9	MPCC8
0	0	0	1	1	0	1	0

D7	D6	D5	D4	D3	D2	D1	D0
MPCC7	MPCC6	MPCC5	MPCC4	MPCC3	MPCC2	MPCC1	MPCC0
1	1	0	0	0	0	0	0

The MPCC bits determine the 16 MSBs of the MPC compensation coefficient. This coefficient is used in place of the default coefficient when MPCV = 1.

8.14 Variable distortion compensation registers (addr 0x29 - 0x2A)

D7	D6	D5	D4	D3	D2	D1	D0
DCC15	DCC14	DCC13	DCC12	DCC11	DCC10	DCC9	DCC8
1	1	1	1	0	0	1	1

D7	D6	D5	D4	D3	D2	D1	D0
DCC7	DCC6	DCC5	DCC4	DCC3	DCC2	DCC1	DCC0
0	0	1	1	0	0	1	1

The DCC bits determine the 16 MSBs of the distortion compensation coefficient. This coefficient is used in place of the default coefficient when DCCV = 1.

8.15 Fault detect recovery constant registers (addr 0x2B - 0x2C)

D7	D6	D5	D4	D3	D2	D1	D0
FDCR15	FDCR14	FDCR13	FDCR12	FDCR11	FDCR10	FDCR9	FDCR8
0	0	0	0	0	0	0	0

D7	D6	D5	D4	D3	D2	D1	D0
FDCR7	FDCR6	FDCR5	FDCR4	FDCR3	FDCR2	FDCR1	FDCR0
0	0	0	0	1	1	0	0

The FDCR bits specify the 16-bit fault detect recovery time delay. When FAULT is asserted, the TRISTATE output is immediately asserted low and held low for the time period specified by this constant. A constant value of 0x0001 in this register is approximately 0.083 ms. The default value of 0x000C gives approximately 0.1 ms.

8.16 Device status register (addr 0x2D)

D7	D6	D5	D4	D3	D2	D1	D0
PLLUL	FAULT	UVFAULT	OVFAULT	OCFAULT	OCWARN	TFAULT	TWARN

This read-only register provides fault and thermal-warning status information from the power control block. Logic value 1 for faults or warning means normal state. Logic 0 means a fault or warning detected on power bridge. The PLLUL = 1 means that the PLL is not locked.

Table 72. Status register bits

Bit	R/W	RST	Name	Description
7	R	-	PLLUL	0: PLL locked 1: PLL not locked
6	R	-	FAULT	0: fault detected on power bridge 1: normal operation
5	R	-	UVFAULT	0: VCCxX internally detected < undervoltage threshold
4	R	-	OVFAULT	0: VCCxX internally detected > overvoltage threshold
3	R	-	OCFAULT	0: overcurrent fault detected
2	R	-	OCWARN	0: overcurrent warning
1	R	-	TFAULT	0: thermal fault, junction temperature over limit detection
0	R	-	TWARN	0: thermal warning, junction temperature is close to the fault condition

8.17 EQ coefficients and DRC configuration register (addr 0x31)

D7	D6	D5	D4	D3	D2	D1	D0
XOB	Reserved	Reserved	AMGC[3]	AMGC[2]	Reserved	SEL[1]	SEL[0]
0	0	0	0	0	0	0	0

Table 73. EQ RAM select

SEL[1:0]	EQ RAM bank selected
00/11	Bank 0 activated
01	Bank 1 activated
10	Bank 2 activated

Bits AMGC[3:2] change the behavior of the bits AMGC[1:0] as given in [Table 74](#) below.

Table 74. Anti-clipping and DRC preset

AMGC[3:2]	Anti clipping and DRC preset selected
00	DRC/Anti-clipping behavior described in Table 54 on page 57 (default).
01	DRC/Anti-clipping behavior is described Table 75 on page 75
10/11	Reserved, do not use

When AMGC[3:2] = 01 then the bits 1:0 are defined as given here in [Table 75](#).

Table 75. Anti-clipping selection for AMGC[3:2] = 01

AMGC[1:0]	Mode
00	AC0, stereo anticlippping 0 dB limiter
01	AC1, stereo anticlippping +1.25 dB limiter
10	AC2, stereo anticlippping +2 dB limiter
11	Reserved do not use

The AC0, AC1, AC2 settings are designed for the loudspeaker protection function, limiting at the minimum any audio artifacts introduced by typical anti-clipping/DRC algorithms. More detailed information is available in the applications notes “Configurable output power rate using STA335BW” and “STA335BWS vs STA335BW”.

The XOB bit can be used to bypass the crossover filters. Logic 1 means that the function is not active. In this case, the high-pass crossover filter works as a pass-through on the data path (b0 = 1, all the other coefficients at logic 0) while the low-pass filter is configured to have zero signal on channel-3 data processing (all the coefficients are at logic 0).

8.18 Extended configuration register (addr 0x36)

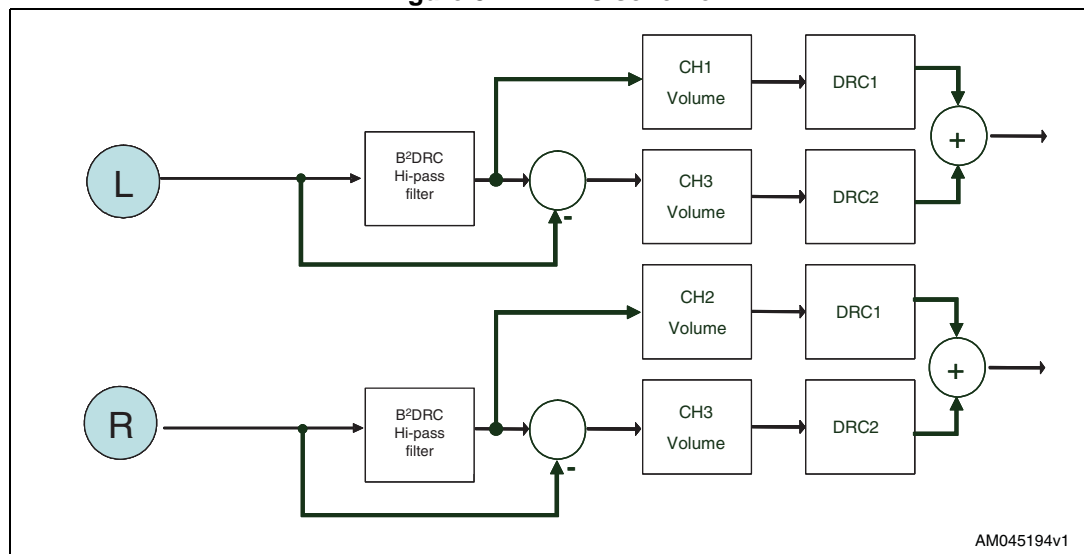
D7	D6	D5	D4	D3	D2	D1	D0
Mdrc[1]	Mdrc[0]	PS48DB	XAR1	XAR2	BQ5	BQ6	BQ7
0	0	0	0	0	0	0	0

The extended configuration register provides access to B²DRC and biquad 5, 6 and 7.

8.18.1 Dual-band DRC

The STA350Bx device provides a dual-band DRC (B²DRC) on the left and right channels data path, as depicted in [Figure 32](#). Dual-band DRC is activated by setting MDRC[1:0] = 1x.

Figure 32. B²DRC scheme



The low frequency information (LFE) is extracted from left and right channels, removing the high frequencies using a programmable biquad filter, and then computing the difference with the original signal. Limiter 1 (DRC1) is then used to control left/right high-frequency amplitude of the components, while limiter 2 (DRC2) is used to control the low-frequency components (see [Chapter 8.11](#)).

The cutoff frequency of the high-pass filters can be user-defined, XO[3:0] = 0, or selected from the pre-defined values.

DRC1 and DRC2 are then used to independently limit L/R high frequencies and LFE channels amplitude (see [Chapter 8.11](#)) as well as their volume control. To be noted that, in this configuration, the dedicated channel 3 volume control can actually act as a bass boost enhancer as well (0.5 dB/step resolution).

The processed LFE channel is then recombined with the L and R channels in order to reconstruct the 2.0 output signal.

Sub-band decomposition

The sub-band decomposition for B²DRC can be configured specifying the cutoff frequency. The cutoff frequency can be programmed in two ways, using XO bits in register 0x0C, or using the “user programmable” mode (coefficients stored in RAM addresses 0x28 to 0x31).

For the user programmable mode, use the formulas below to compute the high-pass filters:

$$\begin{aligned} b_0 &= (1 + \alpha) / 2 & a_0 &= 1 \\ b_1 &= -(1 + \alpha) / 2 & a_1 &= -\alpha \\ b_2 &= 0 & a_2 &= 0 \end{aligned}$$

where $\alpha = (1 - \sin(\omega_0)) / \cos(\omega_0)$, and ω_0 is the cutoff frequency.

A first-order filter is suggested to guarantee that for every ω_0 the corresponding low-pass filter obtained as the difference (as shown in [Figure 32](#)) will have a symmetric (relative to HP filter) frequency response, and the corresponding recombination after the DRC has low ripple. Second-order filters can be used as well, but in this case the filter shape must be carefully chosen to provide good low-pass response and minimum ripple recombination. For second-order filters it is not possible to give a closed formula to get the best coefficients, but empirical adjustment should be done.

DRC settings

The DRC blocks used by B²DRC are the same as those described in [Chapter 8.11](#). B²DRC configure automatically the DRC blocks in anticlimbing mode. Attack and release thresholds can be selected using registers 0x32, 0x33, 0x34, 0x35, while attack and release rates are configured by registers 0x12 and 0x14.

Band down-mixing

The low-frequency band is down-mixed to the left and right channels at the B²DRC output. Channel volume can be used to weight the bands recombination to fine-tune the overall frequency response.

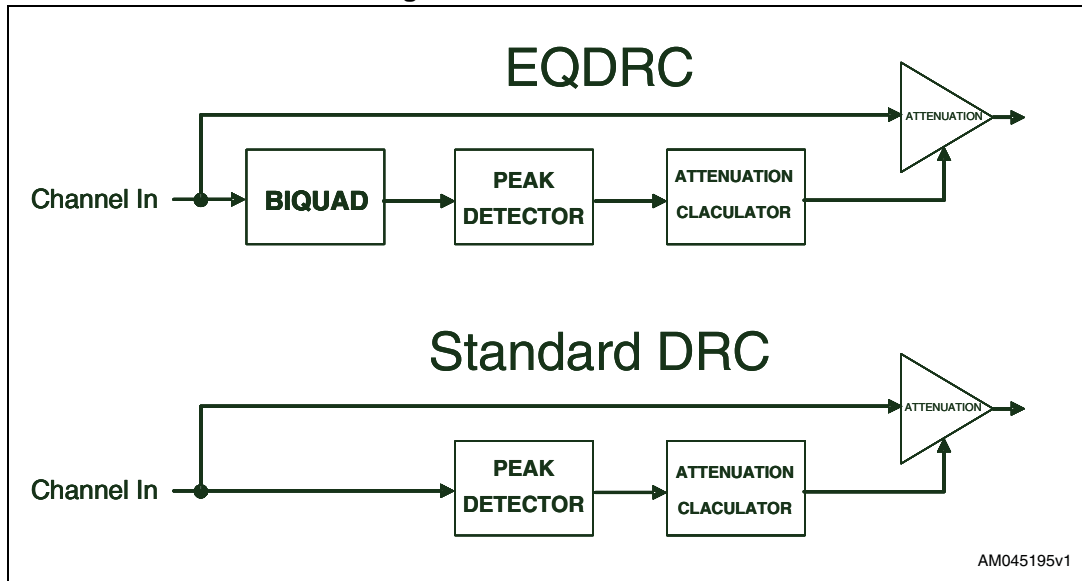
8.18.2 EQ DRC mode

Setting MDRC = 01, it is possible to add a programmable biquad (the XO biquad at RAM addresses 0x28 to 0x2C is used for this purpose) to the Limiter/compressor measure path (side chain). Using EQDRC the peak detector input can be shaped in frequency using the programmable biquad. For example if a +2 dB bass boost is applied (using a low shelf filter for example), the effect is that the EQDRC output will limit bass frequencies to -2 dB below the selected attack threshold.

Generally speaking, if the biquad boosts frequency f with an amount of X dB, the level of a compressed sine wave at the output will be $TH - X$, where TH is the selected attack threshold.

Note: EQDRC works only if the biquad frequency response magnitude is ≥ 0 dB for every frequency.

Figure 33. EQDRC scheme



8.18.3 Extended post-scale range

PS48DB	Mode
0	Post-scale value is applied as defined in coefficient RAM
1	Post-scale value is applied with +48 dB offset with respect to the coefficient RAM value

Post-scale is an attenuation by default. When PS48DB is set to 1, a 48-dB offset is applied to the coefficient RAM value, so post-scale can act as a gain too.

8.18.4 Extended attack rate

The attack rate shown in [Table 65](#) can be extended to provide up to an 8 dB/ms attack rate on both limiters.

XAR1	Mode
0	Limiter1 attack rate is configured using Table 65
1	Limiter1 attack rate is 8 dB/ms

XAR2	Mode
0	Limiter2 attack rate is configured using Table 65
1	Limiter2 attack rate is 8 dB/ms

8.18.5 Extended biquad selector

De-emphasis filter as well as bass and treble controls can be configured as user-defined filters when the equalization coefficients link is activated ($BQL = 1$) and the corresponding BQx bit is set to 1.

BQ5	Mode
0	Pre-set de-emphasis filter selected
1	User-defined biquad 5 coefficients are selected

BQ6	Mode
0	Pre-set bass filter selected as per Table 64
1	User-defined biquad 6 coefficients are selected

BQ7	Mode
0	Pre-set treble filter selected as per Table 64
1	User-defined biquad 7 coefficients are selected

When filters from 5th to 7th are configured as user-programmable, the corresponding coefficients are stored respectively in addresses 0x20-0x24 (BQ5), 0x25-0x29 (BQ6), 0x2A-0x2E (BQ7) as in [Table 71](#).

Note: BQx bits are ignored if $BQL = 0$ or if $DEMP = 1$ (relevant for BQ5) or $CxTCB = 1$ (relevant for BQ6 and BQ7).

8.19 EQ soft-volume configuration registers (addr 0x37 - 0x38)

D7	D6	D5	D4	D3	D2	D1	D0
		SVUPE	SVUP[4]	SVUP[3]	SVUP[2]	SVUP[1]	SVUP[0]
0	0	0	0	0	0	0	0

D7	D6	D5	D4	D3	D2	D1	D0
		SVDWE	SVDW[4]	SVDW[3]	SVDW[2]	SVDW[1]	SVDW[0]
0	0	0	0	0	0	0	0

The soft-volume update has a fixed rate by default. Using register 0x37 and 0x38 it is possible to override the default behavior allowing different volume change rates.

It is also possible to independently define the fade-in (volume is increased) and fade-out (volume is decreased) rates according to the desired behavior.

SVUPE	Mode
0	When volume is increased, use the default rate
1	When volume is increased, use the rates defined by SVUP[4:0]

When SVUPE = 1 the fade-in rate is defined by the SVUP[4:0] bits according to the following formula:

$$\text{Fade-in rate} = 48 / (N + 1) \text{ dB/ms}$$

where N is the SVUP[4:0] value.

SVDWE	Mode
0	When volume is decreased, use the default rate
1	When volume is decreased, use the rates defined by SVDW[4:0]

When SVDWE = 1 the fade-out rate is defined by the SVDW[4:0] bits according to the following formula:

$$\text{Fade-in rate} = 48 / (N + 1) \text{ dB/ms}$$

where N is the SVDW[4:0] value.

Note: For fade-out rates greater than 6 dB/msec it is suggested to disable the CPWMEN bit (Section 8.24.4) and ZCE bit (Section 8.5.7) in order to avoid any audible pop noise.

8.20 DRC RMS filter coefficients (addr 0x39-0x3E)

D7	D6	D5	D4	D3	D2	D1	D0
R_C0[23]	R_C0[22]	R_C0[21]	R_C0[20]	R_C0[19]	R_C0[18]	R_C0[17]	R_C0[16]
0	0	0	0	0	0	0	1

D7	D6	D5	D4	D3	D2	D1	D0
R_C0[15]	R_C0[14]	R_C0[13]	R_C0[12]	R_C0[11]	R_C0[10]	R_C0[9]	R_C0[8]
1	1	1	0	1	1	1	0

D7	D6	D5	D4	D3	D2	D1	D0
R_C0[7]	R_C0[6]	R_C0[5]	R_C0[4]	R_C0[3]	R_C0[2]	R_C0[1]	R_C0[0]
1	1	1	1	1	1	1	1

D7	D6	D5	D4	D3	D2	D1	D0
R_C1[23]	R_C1[22]	R_C1[21]	R_C1[20]	R_C1[19]	R_C1[18]	R_C1[17]	R_C1[16]
0	1	1	1	1	1	1	0

D7	D6	D5	D4	D3	D2	D1	D0
R_C1[15]	R_C1[14]	R_C1[13]	R_C1[12]	R_C1[11]	R_C1[10]	R_C1[9]	R_C1[8]
1	1	0	0	0	0	0	0

D7	D6	D5	D4	D3	D2	D1	D0
R_C1[7]	R_C1[6]	R_C1[5]	R_C1[4]	R_C1[3]	R_C1[2]	R_C1[1]	R_C1[0]
0	0	1	0	0	1	1	0

Signal level detection in DRC algorithm is computed using the following formula:

$$y(t) = c0 * \text{abs}(x(t)) + c1 * y(t-1)$$

where x(t) represents the audio signal applied to the limiter, and y(t) the measured level.

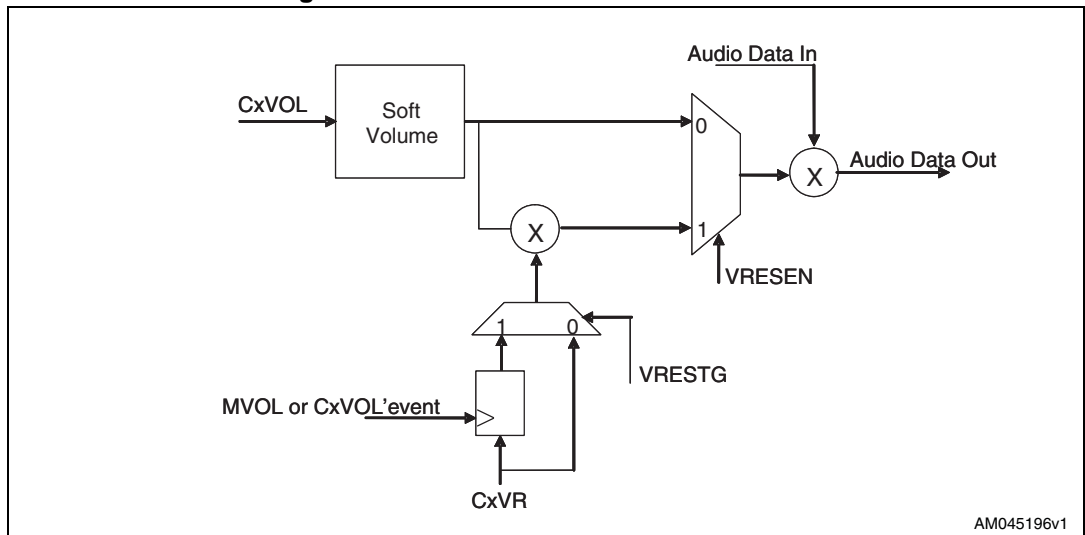
8.21 Extra volume resolution configuration registers (address 0x3F)

D7	D6	D5	D4	D3	D2	D1	D0
VRESEN	VRESTG	C3VR[1]	C3VR[0]	C2VR[1]	C2VR[0]	C1VR[1]	C1VR[0]
0	0	0	0	0	0	0	0

The extra volume resolution allows fine volume tuning by steps of 0.125dB.

The feature is enabled when VRESEN=1, as depicted in [Figure 34](#). The overall channel volume in this case will be CxVol+CxVR (in dB). On top of the total volume range from -80 dB to +48 dB, this extra volume resolution works in a volume range from -80 dB to +42 dB. For volumes greater than +42 dB, this function must not be selected.

Figure 34. Extra resolution volume scheme



If VRESEN = 0 the channel volume is defined only by the CxVol registers.

Fine-tuning steps can be set according to the following table for channels 1, 2, 3:

CxVR	Mode
00	0 dB
01	-0.125 dB
10	-0.25 dB
11	-0.375 dB

Two different behaviors can be configured by the VRESTG bit:

- If VRESTG='0' the CxVR contribution is applied immediately after the corresponding I²C bits are written.
- If VRESTG='1' the CxVR bits are effective on channel volume only after the corresponding CxVol register or master volume register is written (even to the previous values).

VRESEN	VRESTG	Mode
0	0	Extra volume resolution disabled
0	1	Extra volume resolution disabled
1	0	Volume fine-tuning enabled and applied immediately
1	1	Volume fine-tuning enabled and applied when master or channel volume is updated

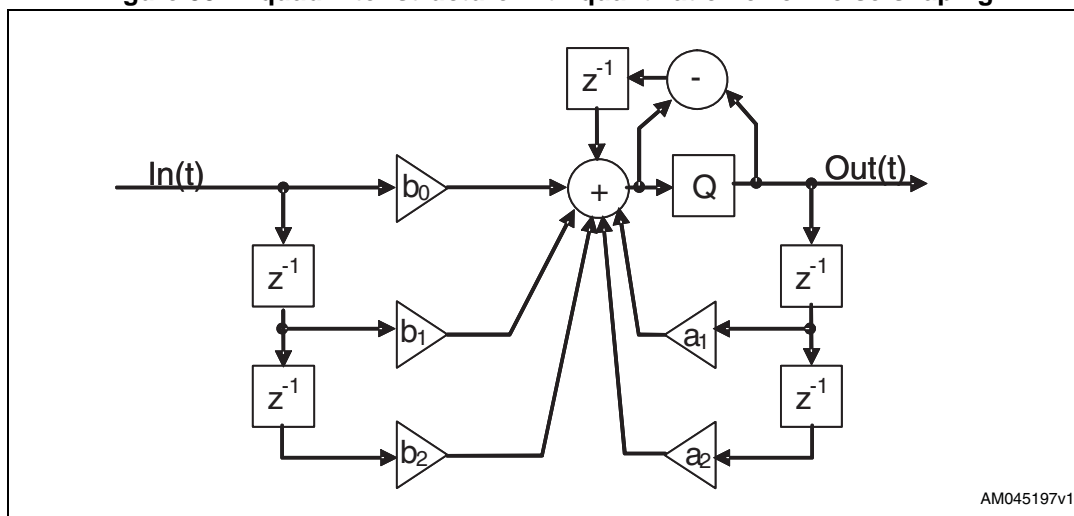
8.22 Quantization error noise correction (address 0x48)

D7	D6	D5	D4	D3	D2	D1	D0
NSHXEN	NSHB7EN	NSHB6EN	NSHB5EN	NSHB4EN	NSHB3EN	NSHB2EN	NSHB1EN
0	0	0	0	0	0	0	0

A special feature inside the digital processing block is available. In case of poles positioned at very low frequencies, biquad filters can generate some audible quantization noise or unwanted DC level. In order to avoid this kind of effect, a quantization noise-shaping capability can be used. The filter structure including this special feature, relative to each biquad, is shown in [Figure 35](#).

By default, this capability is not activated to maintain backward compatibility with all the previous Sound Terminal products. The new feature can be enabled independently for each biquad using the I²C registers. The D7 bit, when set, is responsible for activating this function on the crossover filter while the other bits address any specific biquads according to the previous table. Channels 1 and 2 share the same settings. Bit D7 is effective also for channel 3 if the relative OCFG is used.

Figure 35. Biquad filter structure with quantization error noise-shaping



AM045197v1

8.23 Extended coefficient range up to -4...4 (address 0x49, 0x4A)

D7	D6	D5	D4	D3	D2	D1	D0
CXTB4[1]	CXTB4[0]	CXTB3[1]	CXTB3[0]	CX_B2[1]	CXTB2[0]	CXTB1[1]	CXTB1[0]
0	0	0	0	0	0	0	0

D7	D6	D5	D4	D3	D2	D1	D0
Reserved	Reserved	CXTB7[1]	CXTB7[0]	CXTB6[1]	CXTB6[0]	CXTB5[1]	CXTB5[0]
0	0	0	0	0	0	0	0

Biquads from 1 to 7 have in the STA350Bx the possibility to extend the coefficient range from [-1,1) to [-4..4). This allows the realization of high shelf filters that may require a coefficients dynamic greater in absolute value than 1.

Three ranges are available, [-1;1) [-2;2) [-4;4). By default the extended range is not activated to maintain backward compatibility with all the previous Sound Terminal products.

Each biquad has its independent setting according to the following table:

Table 76. Biquad filter settings

CEXT_Bx[1]	CEXT_Bx[0]	
0	0	[-1;1)
0	1	[-2;2)
1	0	[-4;4)
1	1	Reserved

In this case the user can decide, for each filter stage, the right coefficients range. Note that for a given biquad the same range will be applied to Left and Right (Channel 1 and Channel 2).

The crossover biquad does not have the availability of this feature, maintaining the $[-1;1]$ range unchanged.

8.24 Miscellaneous registers (address 0x4B, 0x4C)

D7	D6	D5	D4	D3	D2	D1	D0
RPDNEN	NSHHPEN	BRIDGOFF	Reserved	Reserved	CPWMEN	Reserved	Reserved
0	0	0	0	0	1	0	0

D7	D6	D5	D4	D3	D2	D1	D0
Reserved	Reserved	Reserved	PNDLSL[2]	PNDLSL[1]	PNDLSL[0]	Reserved	Reserved
0	0	0	0	0	0	0	0

8.24.1 Rate powerdown enable (RPDNEN) bit (address 0x4B, bit D7)

In the STA350Bx, by default, the power-down pin and I²C power-down act on mute commands to perform the fadeout. This default can be changed so that the fadeout can be started using the master volume. The RPDNEN bit, when set, activates this feature.

8.24.2 Noise-shaping on DC cut filter enable (NSHHPEN) bit (address 0x4B, bit D6)

Following the description in [Section 8.22](#), this bit, when set, enables the noise-shaping technique on the DC cutoff filter. Channels 1 and 2 share the same settings.

8.24.3 Bridge immediate off (BRIDGOFF) bit (address 0x4B, bit D5)

A fadeout procedure is started in the STA350Bx once the PWDN function is enabled. Independently from the fadeout time, after 13 million clock cycles (PLL internal frequency) the bridge is put in powerdown (tri-state mode). There is also the possibility to change this behavior so that the power bridge will be switched off immediately after the PWDN pin is tied to ground, without therefore waiting for the 13 million clock cycles. The BRIDGOFF bit, when set, activates this function. Obviously the immediate power-down will generate a pop noise at the output. therefore this procedure must be used only in case pop noise is not relevant in the application. Note that this feature works only for hardware PWDN assertion and not for a powerdown applied through the I²C interface. Refer to [Section 8.24.5](#) in order to program a different number of clock cycles.

8.24.4 Channel PWM enable (CPWMEN) bit (address 0x4B, bit D2)

This bit, when set, activates a mute output in case the volume will reach a value lower than -76 dBFS.

8.24.5 Power-down delay selector (PNDLSL[2:0]) bits (address 0x4C, bit D4, D3, D2)

As per [Section 8.24.3](#), the assertion of PWDN activates a counter that, by default, after 13 million clock cycles puts the power bridge in tri-state mode, independently from the fadeout time. Using these registers it is possible to program this counter according to the following table:

PNDLSL[2]	PNDLSL[1]	PNDLSL[0]	Fade out time
0	0	0	Default time (13 M clock cycles)
0	0	1	Default time divided by 2
0	1	0	Default time divided by 4
0	1	1	Default time divided by 8
1	0	0	Default time divided by 16
1	0	1	Default time divided by 32
1	1	0	Default time divided by 64
1	1	1	Default time divided by 128

9 PowerSSO-36 slug-down package thermal characteristics (STA350BW)

Using a four-layer PCB the thermal resistance junction-to-ambient with 2 copper ground areas of 6 x 4 cm² and with 24 via holes (see [Figure 36](#)) is 17 °C/W in natural air convection.

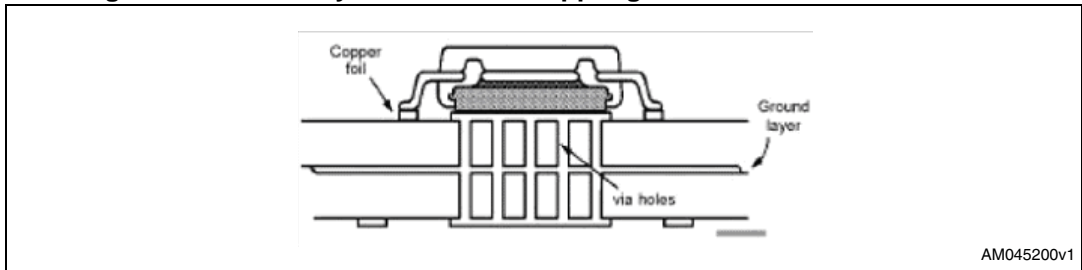
The dissipated power within the device depends primarily on the supply voltage, load impedance and output modulation level.

Thus, the maximum estimated dissipated power for the STA350BW is:

$$2 \times 40 \text{ W @ } 8 \Omega, 25.5 \text{ V} \quad P_d \text{ max } \sim 8 \text{ W}$$

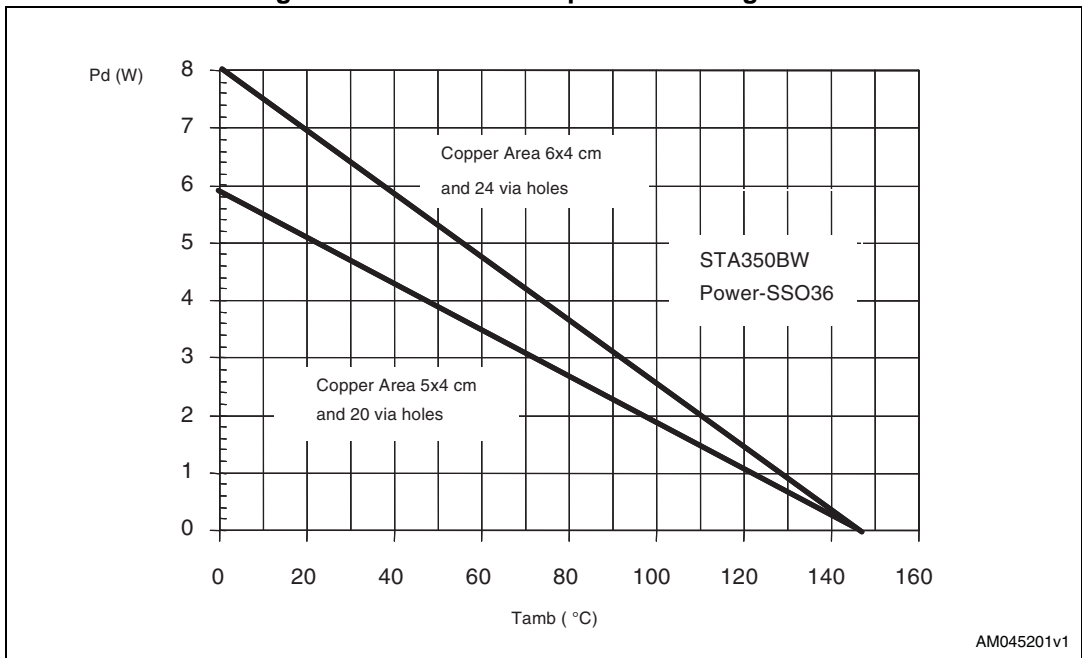
$$2 \times 17 \text{ W} + 1 \times 35 \text{ W @ } 4 \Omega, 8 \Omega, 25 \text{ V} \quad P_d \text{ max } < 7 \text{ W}$$

Figure 36. Double-layer PCB with 2 copper ground areas and 24 via holes



[Figure 37](#) shows the power derating curve for the PowerSSO-36 slug-down package on PCBs with copper areas of 5 x 4 cm² and 6 x 4 cm².

Figure 37. PowerSSO-36 power derating curve



10 Package mechanical data

In order to meet environmental requirements, ST offers these devices in different grades of ECOPACK[®] packages, depending on their level of environmental compliance. ECOPACK[®] specifications, grade definitions and product status are available at: www.st.com. ECOPACK[®] is an ST trademark.

Figure 38. PowerSSO-36 EPD package outline

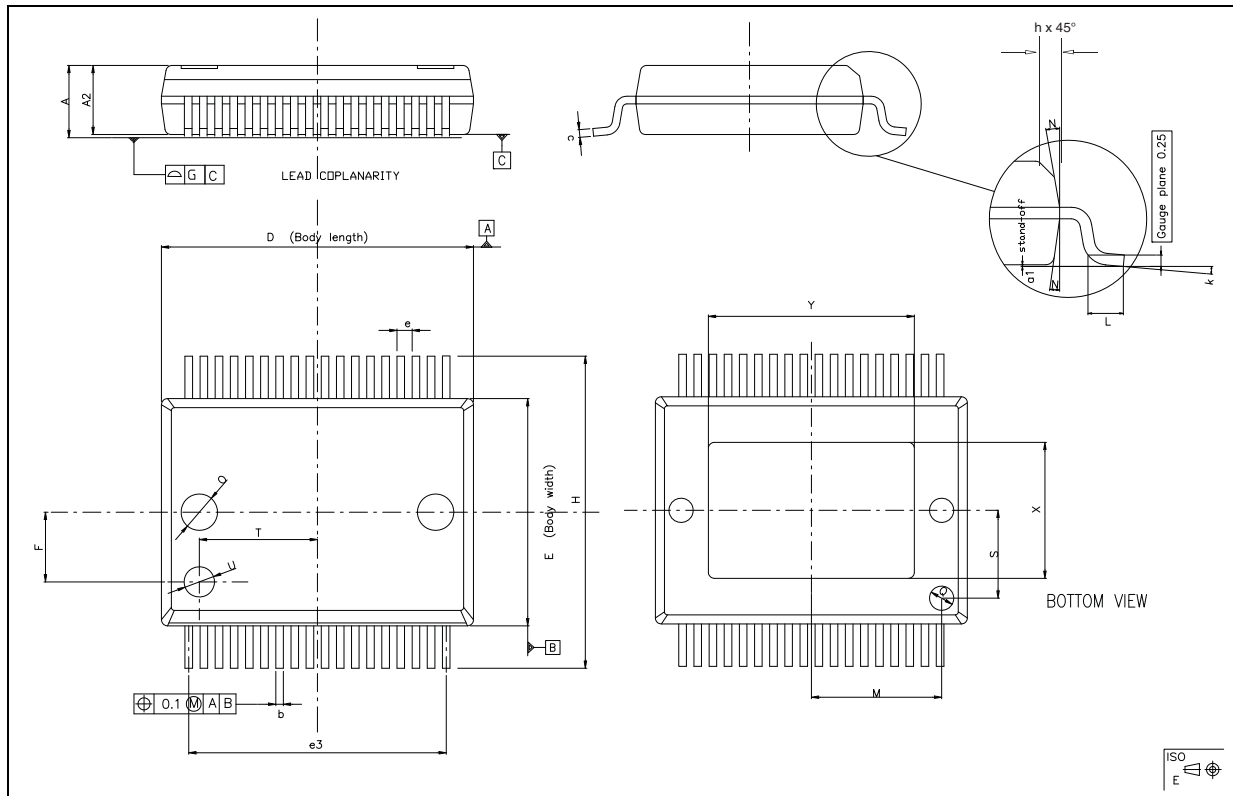


Table 77. PowerSSO-36 EPD mechanical data

Symbol	Dimensions in mm			Dimensions in inches		
	Min.	Typ.	Max.	Min.	Typ.	Max.
A	2.15	-	2.47	0.085	-	0.097
A2	2.15	-	2.40	0.085	-	0.094
a1	0.00	-	0.10	0.00	-	0.004
b	0.18	-	0.36	0.007	-	0.014
c	0.23	-	0.32	0.009	-	0.013
D	10.10	-	10.50	0.398	-	0.413
E	7.40	-	7.60	0.291	-	0.299
e	-	0.5	-	-	0.020	-
e3	-	8.5	-	-	0.335	-
F	-	2.3	-	-	0.091	-
G	-	-	0.10	-	-	0.004
H	10.10	-	10.50	0.398	-	0.413
h	-	-	0.40	-	-	0.016
k	0	-	8 degrees	0	-	8 degrees

Table 77. PowerSSO-36 EPD mechanical data

Symbol	Dimensions in mm			Dimensions in inches		
	Min.	Typ.	Max.	Min.	Typ.	Max.
L	0.60	-	1.00	0.024	-	0.039
M	-	4.30	-	-	0.169	-
N	-	-	10 degrees	-	-	10 degrees
O	-	1.20	-	-	0.047	-
Q	-	0.80	-	-	0.031	-
S	-	2.90	-	-	0.114	-
T	-	3.65	-	-	0.144	-
U	-	1.00	-	-	0.039	-
X	4.10	-	4.70	0.161	-	0.185
Y	6.50	-	7.10	0.256	-	0.280

Figure 39. PowerSSO36 (slug-up) package outline

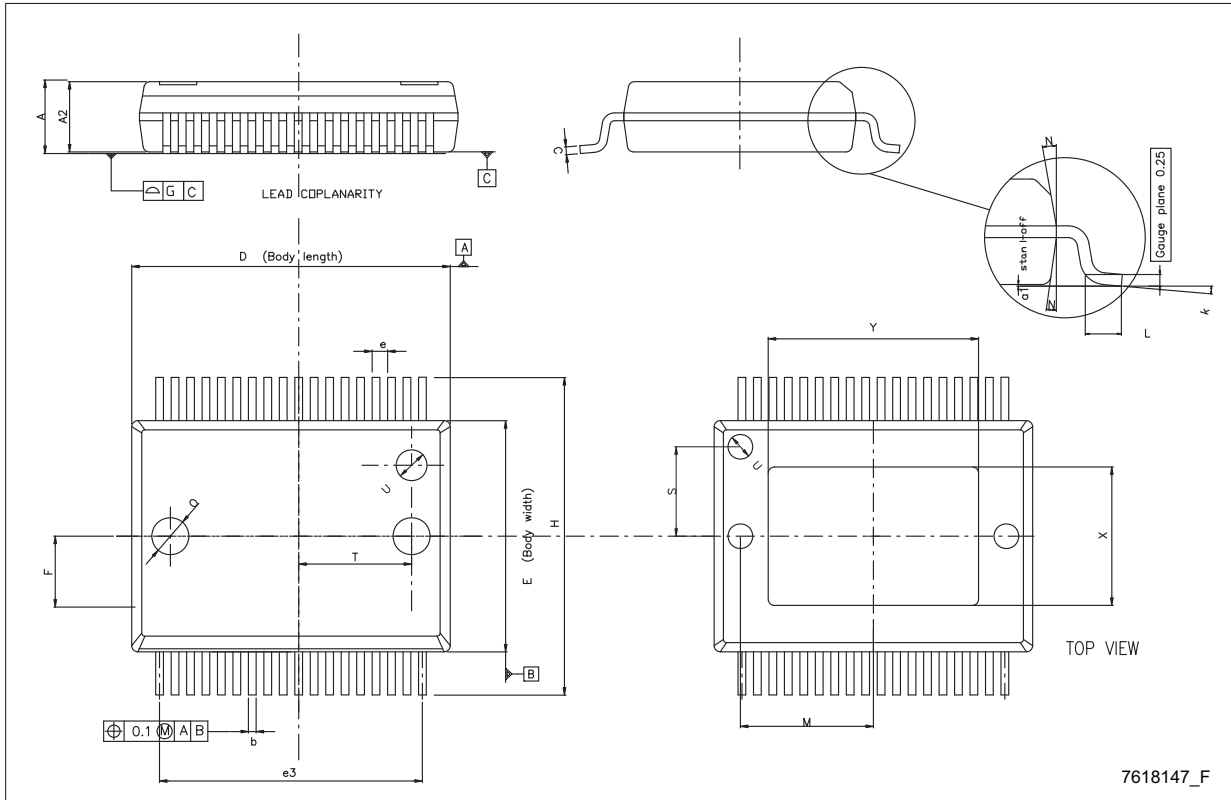


Table 78. PowerSSO36 exposed pad up mechanical data

Symbol	Dimensions in mm			Dimensions in inch		
	Min.	Typ.	Max.	Min.	Typ.	Max.
A	2.15	-	2.45	0.085	-	0.096
A2	2.15	-	2.35	0.085	-	0.092
a1	0	-	0.1	0.00	-	0.004
b	0.18	-	0.36	0.007	-	0.014
c	0.23	-	0.32	0.009	-	0.013
D	10.10	-	10.50	0.398	-	0.413
E	7.4	-	7.6	0.291	-	0.299
e	-	0.5	-	-	0.020	-
e3	-	8.5	-	-	0.335	-
F	-	2.3	-	-	0.091	-
G	-	-	0.1	-	-	0.004
H	10.1	-	10.5	-	-	0.413
h	-	-	0.4	-	-	0.016
k	0 deg	-	8 deg	0 deg	-	8 deg

Table 78. PowerSSO36 exposed pad up mechanical data (continued)

Symbol	Dimensions in mm			Dimensions in inch		
	Min.	Typ.	Max.	Min.	Typ.	Max.
L	0.55	-	0.85	0.022		0.033
M	-	4.3	-	-	0.169	-
N	-	-	10 deg	-	-	10 deg
O	-	1.2	-	-	0.047	-
Q	-	0.8	-	-	0.031	-
S	-	2.9	-	-	0.114	-
T	-	3.65	-	-	0.114	-
U	-	1.0	-	-	0.039	-

11 Ordering information

Table 79. Order code

Order code	Temperature range °C	Package	Packing
STA350BTR	-20 to 85	PowerSSO36 (slug-up)	Tape and reel
STA350BWTR	-20 to 85	PowerSSO-36 (slug-down)	

12 Revision history

Table 80. Document revision history

Date	Revision	Changes
11-Mar-2011	1	Initial release.
20-Apr-2011	2	Updated Figure 4: Demonstration board, 2.0 channels Added Figure 5: Mono parallel BTL schematic
13-Apr-2012	3	Updated min. and typ. values for I _{sc} in Table 6: Electrical specifications - power section
20-Sep-2013	4	Added Section 5 on page 25 Modified Note:: The read write operation on RAM coefficients works only if RLCKI (pin29) is switching and stable (ref. Table 7, tLRJT timing) and PLL must be locked (ref bit D7 reg 0x2D). Updated Company information appearing on last page of document
18-Jul-2017	5	Added STA350B device, related package information and <i>Section 11: Ordering information</i> . Minor changes throughout the document.
11-Apr-2018	6	Added Section 3.6: Power-on/off sequence . Minor text changes throughout the document.

IMPORTANT NOTICE – PLEASE READ CAREFULLY

STMicroelectronics NV and its subsidiaries (“ST”) reserve the right to make changes, corrections, enhancements, modifications, and improvements to ST products and/or to this document at any time without notice. Purchasers should obtain the latest relevant information on ST products before placing orders. ST products are sold pursuant to ST’s terms and conditions of sale in place at the time of order acknowledgement.

Purchasers are solely responsible for the choice, selection, and use of ST products and ST assumes no liability for application assistance or the design of Purchasers’ products.

No license, express or implied, to any intellectual property right is granted by ST herein.

Resale of ST products with provisions different from the information set forth herein shall void any warranty granted by ST for such product.

ST and the ST logo are trademarks of ST. All other product or service names are the property of their respective owners.

Information in this document supersedes and replaces information previously supplied in any prior versions of this document.

© 2018 STMicroelectronics – All rights reserved

Mouser Electronics

Authorized Distributor

Click to View Pricing, Inventory, Delivery & Lifecycle Information:

[STMicroelectronics:](#)

[STA350BW](#) [STA350BWTR](#) [STA350BTR](#) [STA350B](#)