

The S-1333 Series, developed by using the CMOS technology, is a positive voltage regulator IC which has low current consumption, high ripple-rejection and low dropout voltage.

Even with low current consumption of 25 μA typ., it has high ripple-rejection of 75 dB typ., and a ceramic capacitor of 1.0 μF or more can be used as the input and output capacitors.

It also has high-accuracy output voltage of $\pm 1.0\%$.

■ Features

- Output voltage: 1.0 V to 3.5 V, selectable in 0.05 V step
- Input voltage: 1.5 V to 5.5 V
- Output voltage accuracy: $\pm 1.0\%$ (1.0 V to 1.45 V output product: ± 15 mV)
- Dropout voltage: 160 mV typ. (2.8 V output product, $I_{\text{OUT}} = 100$ mA)
- Current consumption:
 - During operation: 25 μA typ., 38 μA max.
 - During power-off: 0.1 μA typ., 1.0 μA max.
- Output current: Possible to output 300 mA ($V_{\text{OUT(S)}} \geq 1.3$ V, $V_{\text{IN}} \geq V_{\text{OUT(S)}} + 1.0$ V)*1
- Input and output capacitors: A ceramic capacitor of 1.0 μF or more can be used.
- Ripple rejection: 75 dB typ. (1.6 V output product, $f = 1.0$ kHz)
70 dB typ. (2.85 V output product, $f = 1.0$ kHz)
- Built-in overcurrent protection circuit: Limits overcurrent of output transistor.
- Built-in thermal shutdown circuit: Prevents damage caused by heat.
- Built-in ON / OFF circuit: Ensures long battery life.
Discharge shunt function "available" / "unavailable" is selectable.
Pull-down function "available" / "unavailable" is selectable.
- Operation temperature range: $T_a = -40^\circ\text{C}$ to $+85^\circ\text{C}$
- Lead-free (Sn 100%), halogen-free

*1. Attention should be paid to the power dissipation of the package when the output current is large.

■ Applications

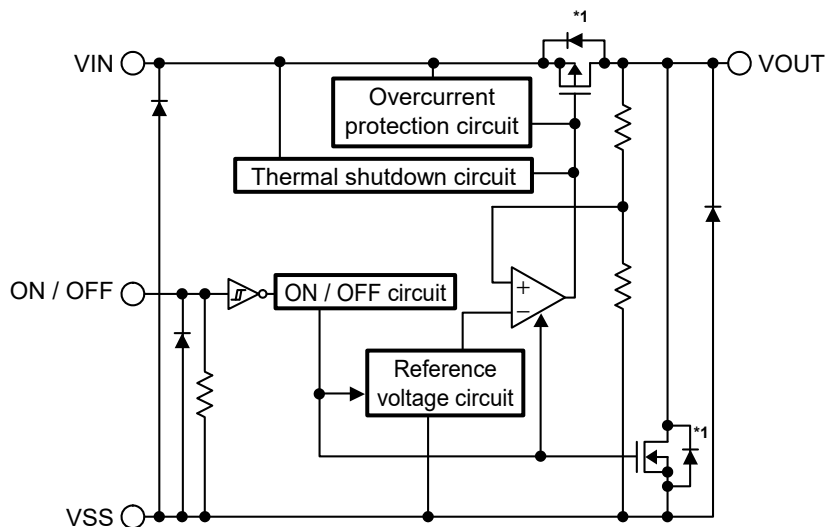
- Constant-voltage power supply for portable communication device, digital camera, and digital audio player
- Constant-voltage power supply for battery-powered device
- Constant-voltage power supply for home electric appliance

■ Packages

- SOT-23-5
- HSNT-4 (1010)
- HSNT-4 (0808)

■ Block Diagrams

1. S-1333 Series A type

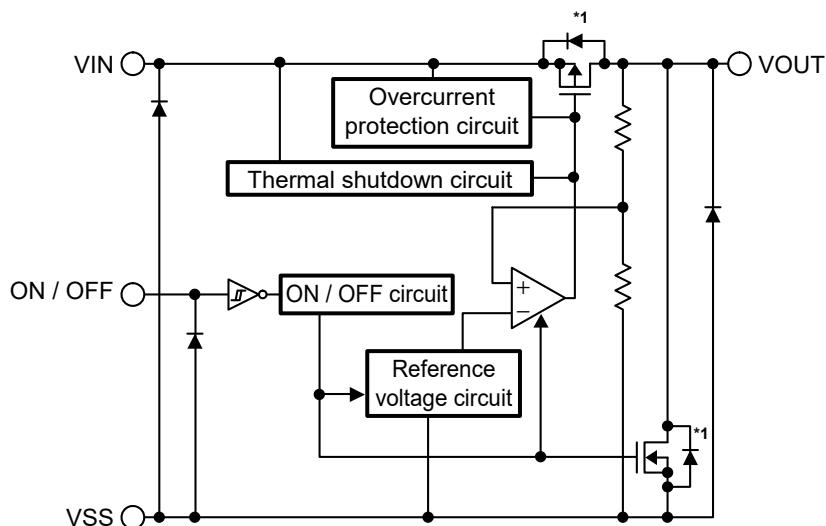


Function	Status
ON / OFF logic	Active "H"
Discharge shunt function	Available
Pull-down resistor	Available

*1. Parasitic diode

Figure 1

2. S-1333 Series B type

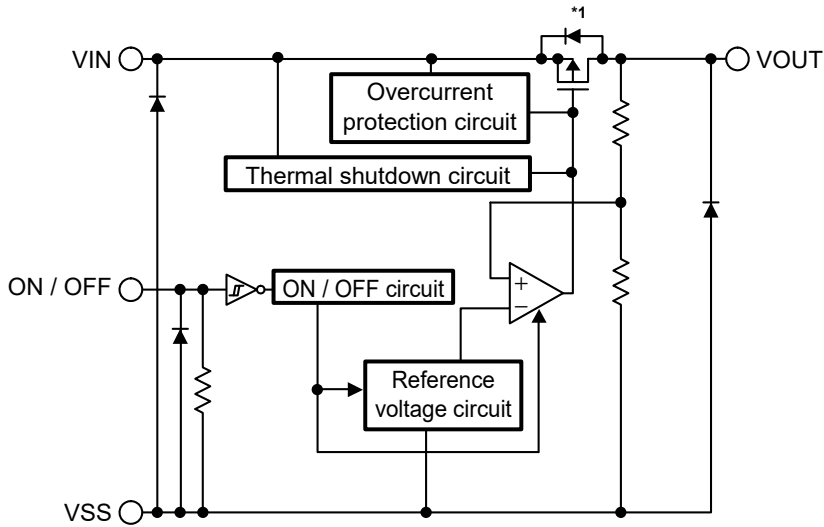


Function	Status
ON / OFF logic	Active "H"
Discharge shunt function	Available
Pull-down resistor	Unavailable

*1. Parasitic diode

Figure 2

3. S-1333 Series C type

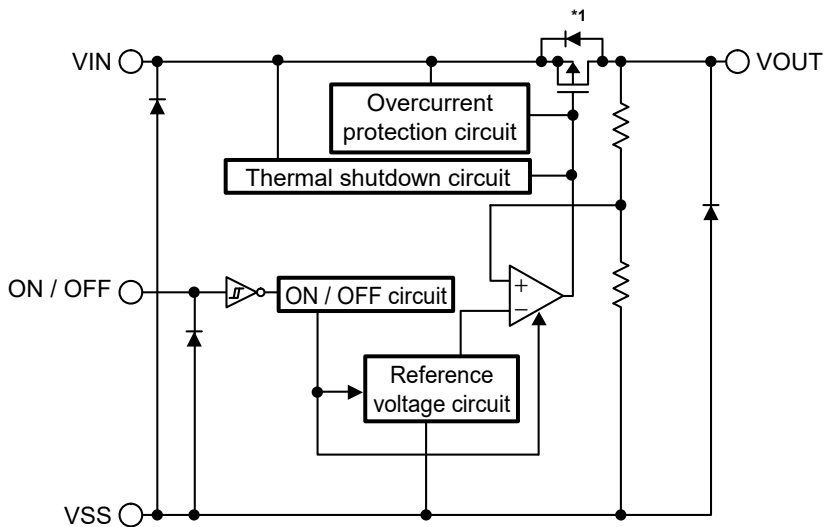


Function	Status
ON / OFF logic	Active "H"
Discharge shunt function	Unavailable
Pull-down resistor	Available

*1. Parasitic diode

Figure 3

4. S-1333 Series D type



Function	Status
ON / OFF logic	Active "H"
Discharge shunt function	Unavailable
Pull-down resistor	Unavailable

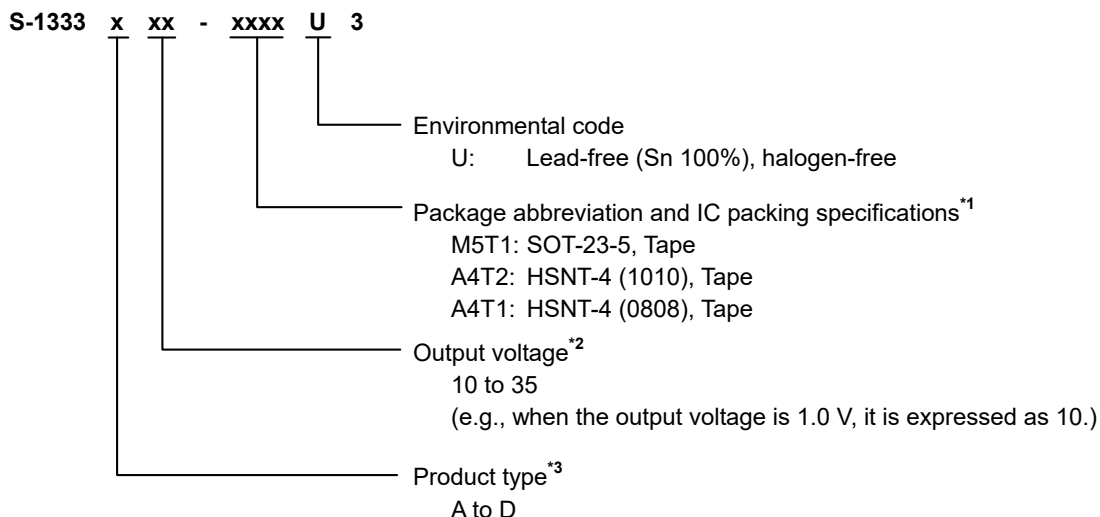
*1. Parasitic diode

Figure 4

■ Product Name Structure

Users can select the product type, output voltage, and package type for the S-1333 Series. Refer to "1. Product name" regarding the contents of product name, "2. Function list of product types" regarding the product type, "3. Packages" regarding the package drawings, "4. Product name lists" regarding details of the product name.

1. Product name



*1. Refer to the tape drawing.

*2. If you request the product which has 0.05 V step, contact our sales office.

*3. Refer to "2. Function list of product types".

2. Function list of product types

Table 1

Product Type	ON / OFF Logic	Discharge Shunt Function	Pull-down Resistor
A	Active "H"	Available	Available
B	Active "H"	Available	Unavailable
C	Active "H"	Unavailable	Available
D	Active "H"	Unavailable	Unavailable

3. Packages

Table 2 Package Drawing Codes

Package Name	Dimension	Tape	Reel	Land
SOT-23-5	MP005-A-P-SD	MP005-A-C-SD	MP005-A-R-SD	—
HSNT-4 (1010)	PL004-A-P-SD	PL004-A-C-SD	PL004-A-R-SD	PL004-A-L-SD
HSNT-4 (0808)	PK004-A-P-SD	PK004-A-C-SD	PK004-A-R-SD	PK004-A-L-SD

4. Product name lists

4.1 S-1333 Series A type

ON / OFF logic: Active "H"
 Discharge shunt function: Available Pull-down resistor: Available

Table 3

Output Voltage	SOT-23-5	HSNT-4 (1010)	HSNT-4 (0808)
1.0 V ± 15 mV	S-1333A10-M5T1U3	S-1333A10-A4T2U3	S-1333A10-A4T1U3
1.1 V ± 15 mV	S-1333A11-M5T1U3	S-1333A11-A4T2U3	S-1333A11-A4T1U3
1.2 V ± 15 mV	S-1333A12-M5T1U3	S-1333A12-A4T2U3	S-1333A12-A4T1U3
1.25 V ± 15 mV	S-1333A1C-M5T1U3	S-1333A1C-A4T2U3	S-1333A1C-A4T1U3
1.3 V ± 15 mV	S-1333A13-M5T1U3	S-1333A13-A4T2U3	S-1333A13-A4T1U3
1.4 V ± 15 mV	S-1333A14-M5T1U3	S-1333A14-A4T2U3	S-1333A14-A4T1U3
1.5 V ± 1.0%	S-1333A15-M5T1U3	S-1333A15-A4T2U3	S-1333A15-A4T1U3
1.6 V ± 1.0%	S-1333A16-M5T1U3	S-1333A16-A4T2U3	S-1333A16-A4T1U3
1.7 V ± 1.0%	S-1333A17-M5T1U3	S-1333A17-A4T2U3	S-1333A17-A4T1U3
1.8 V ± 1.0%	S-1333A18-M5T1U3	S-1333A18-A4T2U3	S-1333A18-A4T1U3
1.85 V ± 1.0%	S-1333A1J-M5T1U3	S-1333A1J-A4T2U3	S-1333A1J-A4T1U3
1.9 V ± 1.0%	S-1333A19-M5T1U3	S-1333A19-A4T2U3	S-1333A19-A4T1U3
2.0 V ± 1.0%	S-1333A20-M5T1U3	S-1333A20-A4T2U3	S-1333A20-A4T1U3
2.1 V ± 1.0%	S-1333A21-M5T1U3	S-1333A21-A4T2U3	S-1333A21-A4T1U3
2.2 V ± 1.0%	S-1333A22-M5T1U3	S-1333A22-A4T2U3	S-1333A22-A4T1U3
2.3 V ± 1.0%	S-1333A23-M5T1U3	S-1333A23-A4T2U3	S-1333A23-A4T1U3
2.4 V ± 1.0%	S-1333A24-M5T1U3	S-1333A24-A4T2U3	S-1333A24-A4T1U3
2.5 V ± 1.0%	S-1333A25-M5T1U3	S-1333A25-A4T2U3	S-1333A25-A4T1U3
2.6 V ± 1.0%	S-1333A26-M5T1U3	S-1333A26-A4T2U3	S-1333A26-A4T1U3
2.7 V ± 1.0%	S-1333A27-M5T1U3	S-1333A27-A4T2U3	S-1333A27-A4T1U3
2.8 V ± 1.0%	S-1333A28-M5T1U3	S-1333A28-A4T2U3	S-1333A28-A4T1U3
2.85 V ± 1.0%	S-1333A2J-M5T1U3	S-1333A2J-A4T2U3	S-1333A2J-A4T1U3
2.9 V ± 1.0%	S-1333A29-M5T1U3	S-1333A29-A4T2U3	S-1333A29-A4T1U3
3.0 V ± 1.0%	S-1333A30-M5T1U3	S-1333A30-A4T2U3	S-1333A30-A4T1U3
3.1 V ± 1.0%	S-1333A31-M5T1U3	S-1333A31-A4T2U3	S-1333A31-A4T1U3
3.2 V ± 1.0%	S-1333A32-M5T1U3	S-1333A32-A4T2U3	S-1333A32-A4T1U3
3.3 V ± 1.0%	S-1333A33-M5T1U3	S-1333A33-A4T2U3	S-1333A33-A4T1U3
3.4 V ± 1.0%	S-1333A34-M5T1U3	S-1333A34-A4T2U3	S-1333A34-A4T1U3
3.5 V ± 1.0%	S-1333A35-M5T1U3	S-1333A35-A4T2U3	S-1333A35-A4T1U3

Remark Please contact our sales office for products other than the above.

4.2 S-1333 Series B type

ON / OFF logic: Active "H"
 Discharge shunt function: Available Pull-down resistor: Unavailable

Table 4

Output Voltage	SOT-23-5	HSNT-4 (1010)	HSNT-4 (0808)
1.0 V ± 15 mV	S-1333B10-M5T1U3	S-1333B10-A4T2U3	S-1333B10-A4T1U3
1.1 V ± 15 mV	S-1333B11-M5T1U3	S-1333B11-A4T2U3	S-1333B11-A4T1U3
1.2 V ± 15 mV	S-1333B12-M5T1U3	S-1333B12-A4T2U3	S-1333B12-A4T1U3
1.3 V ± 15 mV	S-1333B13-M5T1U3	S-1333B13-A4T2U3	S-1333B13-A4T1U3
1.4 V ± 15 mV	S-1333B14-M5T1U3	S-1333B14-A4T2U3	S-1333B14-A4T1U3
1.5 V ± 1.0%	S-1333B15-M5T1U3	S-1333B15-A4T2U3	S-1333B15-A4T1U3
1.6 V ± 1.0%	S-1333B16-M5T1U3	S-1333B16-A4T2U3	S-1333B16-A4T1U3
1.7 V ± 1.0%	S-1333B17-M5T1U3	S-1333B17-A4T2U3	S-1333B17-A4T1U3
1.8 V ± 1.0%	S-1333B18-M5T1U3	S-1333B18-A4T2U3	S-1333B18-A4T1U3
1.85 V ± 1.0%	S-1333B1J-M5T1U3	S-1333B1J-A4T2U3	S-1333B1J-A4T1U3
1.9 V ± 1.0%	S-1333B19-M5T1U3	S-1333B19-A4T2U3	S-1333B19-A4T1U3
2.0 V ± 1.0%	S-1333B20-M5T1U3	S-1333B20-A4T2U3	S-1333B20-A4T1U3
2.1 V ± 1.0%	S-1333B21-M5T1U3	S-1333B21-A4T2U3	S-1333B21-A4T1U3
2.2 V ± 1.0%	S-1333B22-M5T1U3	S-1333B22-A4T2U3	S-1333B22-A4T1U3
2.3 V ± 1.0%	S-1333B23-M5T1U3	S-1333B23-A4T2U3	S-1333B23-A4T1U3
2.4 V ± 1.0%	S-1333B24-M5T1U3	S-1333B24-A4T2U3	S-1333B24-A4T1U3
2.5 V ± 1.0%	S-1333B25-M5T1U3	S-1333B25-A4T2U3	S-1333B25-A4T1U3
2.6 V ± 1.0%	S-1333B26-M5T1U3	S-1333B26-A4T2U3	S-1333B26-A4T1U3
2.7 V ± 1.0%	S-1333B27-M5T1U3	S-1333B27-A4T2U3	S-1333B27-A4T1U3
2.8 V ± 1.0%	S-1333B28-M5T1U3	S-1333B28-A4T2U3	S-1333B28-A4T1U3
2.85 V ± 1.0%	S-1333B2J-M5T1U3	S-1333B2J-A4T2U3	S-1333B2J-A4T1U3
2.9 V ± 1.0%	S-1333B29-M5T1U3	S-1333B29-A4T2U3	S-1333B29-A4T1U3
3.0 V ± 1.0%	S-1333B30-M5T1U3	S-1333B30-A4T2U3	S-1333B30-A4T1U3
3.1 V ± 1.0%	S-1333B31-M5T1U3	S-1333B31-A4T2U3	S-1333B31-A4T1U3
3.2 V ± 1.0%	S-1333B32-M5T1U3	S-1333B32-A4T2U3	S-1333B32-A4T1U3
3.3 V ± 1.0%	S-1333B33-M5T1U3	S-1333B33-A4T2U3	S-1333B33-A4T1U3
3.4 V ± 1.0%	S-1333B34-M5T1U3	S-1333B34-A4T2U3	S-1333B34-A4T1U3
3.5 V ± 1.0%	S-1333B35-M5T1U3	S-1333B35-A4T2U3	S-1333B35-A4T1U3

Remark Please contact our sales office for products other than the above.

4.3 S-1333 Series C type

ON / OFF logic: Active "H"
 Discharge shunt function: Unavailable Pull-down resistor: Available

Table 5

Output Voltage	SOT-23-5	HSNT-4 (1010)	HSNT-4 (0808)
1.0 V ± 15 mV	S-1333C10-M5T1U3	S-1333C10-A4T2U3	S-1333C10-A4T1U3
1.1 V ± 15 mV	S-1333C11-M5T1U3	S-1333C11-A4T2U3	S-1333C11-A4T1U3
1.2 V ± 15 mV	S-1333C12-M5T1U3	S-1333C12-A4T2U3	S-1333C12-A4T1U3
1.3 V ± 15 mV	S-1333C13-M5T1U3	S-1333C13-A4T2U3	S-1333C13-A4T1U3
1.4 V ± 15 mV	S-1333C14-M5T1U3	S-1333C14-A4T2U3	S-1333C14-A4T1U3
1.5 V ± 1.0%	S-1333C15-M5T1U3	S-1333C15-A4T2U3	S-1333C15-A4T1U3
1.6 V ± 1.0%	S-1333C16-M5T1U3	S-1333C16-A4T2U3	S-1333C16-A4T1U3
1.7 V ± 1.0%	S-1333C17-M5T1U3	S-1333C17-A4T2U3	S-1333C17-A4T1U3
1.8 V ± 1.0%	S-1333C18-M5T1U3	S-1333C18-A4T2U3	S-1333C18-A4T1U3
1.85 V ± 1.0%	S-1333C1J-M5T1U3	S-1333C1J-A4T2U3	S-1333C1J-A4T1U3
1.9 V ± 1.0%	S-1333C19-M5T1U3	S-1333C19-A4T2U3	S-1333C19-A4T1U3
2.0 V ± 1.0%	S-1333C20-M5T1U3	S-1333C20-A4T2U3	S-1333C20-A4T1U3
2.1 V ± 1.0%	S-1333C21-M5T1U3	S-1333C21-A4T2U3	S-1333C21-A4T1U3
2.2 V ± 1.0%	S-1333C22-M5T1U3	S-1333C22-A4T2U3	S-1333C22-A4T1U3
2.3 V ± 1.0%	S-1333C23-M5T1U3	S-1333C23-A4T2U3	S-1333C23-A4T1U3
2.4 V ± 1.0%	S-1333C24-M5T1U3	S-1333C24-A4T2U3	S-1333C24-A4T1U3
2.5 V ± 1.0%	S-1333C25-M5T1U3	S-1333C25-A4T2U3	S-1333C25-A4T1U3
2.6 V ± 1.0%	S-1333C26-M5T1U3	S-1333C26-A4T2U3	S-1333C26-A4T1U3
2.7 V ± 1.0%	S-1333C27-M5T1U3	S-1333C27-A4T2U3	S-1333C27-A4T1U3
2.8 V ± 1.0%	S-1333C28-M5T1U3	S-1333C28-A4T2U3	S-1333C28-A4T1U3
2.85 V ± 1.0%	S-1333C2J-M5T1U3	S-1333C2J-A4T2U3	S-1333C2J-A4T1U3
2.9 V ± 1.0%	S-1333C29-M5T1U3	S-1333C29-A4T2U3	S-1333C29-A4T1U3
3.0 V ± 1.0%	S-1333C30-M5T1U3	S-1333C30-A4T2U3	S-1333C30-A4T1U3
3.1 V ± 1.0%	S-1333C31-M5T1U3	S-1333C31-A4T2U3	S-1333C31-A4T1U3
3.2 V ± 1.0%	S-1333C32-M5T1U3	S-1333C32-A4T2U3	S-1333C32-A4T1U3
3.3 V ± 1.0%	S-1333C33-M5T1U3	S-1333C33-A4T2U3	S-1333C33-A4T1U3
3.4 V ± 1.0%	S-1333C34-M5T1U3	S-1333C34-A4T2U3	S-1333C34-A4T1U3
3.5 V ± 1.0%	S-1333C35-M5T1U3	S-1333C35-A4T2U3	S-1333C35-A4T1U3

Remark Please contact our sales office for products other than the above.

4.4 S-1333 Series D type

ON / OFF logic: Active "H"
 Discharge shunt function: Unavailable Pull-down resistor: Unavailable

Table 6

Output Voltage	SOT-23-5	HSNT-4 (1010)	HSNT-4 (0808)
1.0 V ± 15 mV	S-1333D10-M5T1U3	S-1333D10-A4T2U3	S-1333D10-A4T1U3
1.1 V ± 15 mV	S-1333D11-M5T1U3	S-1333D11-A4T2U3	S-1333D11-A4T1U3
1.2 V ± 15 mV	S-1333D12-M5T1U3	S-1333D12-A4T2U3	S-1333D12-A4T1U3
1.3 V ± 15 mV	S-1333D13-M5T1U3	S-1333D13-A4T2U3	S-1333D13-A4T1U3
1.4 V ± 15 mV	S-1333D14-M5T1U3	S-1333D14-A4T2U3	S-1333D14-A4T1U3
1.5 V ± 1.0%	S-1333D15-M5T1U3	S-1333D15-A4T2U3	S-1333D15-A4T1U3
1.6 V ± 1.0%	S-1333D16-M5T1U3	S-1333D16-A4T2U3	S-1333D16-A4T1U3
1.7 V ± 1.0%	S-1333D17-M5T1U3	S-1333D17-A4T2U3	S-1333D17-A4T1U3
1.8 V ± 1.0%	S-1333D18-M5T1U3	S-1333D18-A4T2U3	S-1333D18-A4T1U3
1.85 V ± 1.0%	S-1333D1J-M5T1U3	S-1333D1J-A4T2U3	S-1333D1J-A4T1U3
1.9 V ± 1.0%	S-1333D19-M5T1U3	S-1333D19-A4T2U3	S-1333D19-A4T1U3
2.0 V ± 1.0%	S-1333D20-M5T1U3	S-1333D20-A4T2U3	S-1333D20-A4T1U3
2.1 V ± 1.0%	S-1333D21-M5T1U3	S-1333D21-A4T2U3	S-1333D21-A4T1U3
2.2 V ± 1.0%	S-1333D22-M5T1U3	S-1333D22-A4T2U3	S-1333D22-A4T1U3
2.3 V ± 1.0%	S-1333D23-M5T1U3	S-1333D23-A4T2U3	S-1333D23-A4T1U3
2.4 V ± 1.0%	S-1333D24-M5T1U3	S-1333D24-A4T2U3	S-1333D24-A4T1U3
2.5 V ± 1.0%	S-1333D25-M5T1U3	S-1333D25-A4T2U3	S-1333D25-A4T1U3
2.6 V ± 1.0%	S-1333D26-M5T1U3	S-1333D26-A4T2U3	S-1333D26-A4T1U3
2.7 V ± 1.0%	S-1333D27-M5T1U3	S-1333D27-A4T2U3	S-1333D27-A4T1U3
2.8 V ± 1.0%	S-1333D28-M5T1U3	S-1333D28-A4T2U3	S-1333D28-A4T1U3
2.85 V ± 1.0%	S-1333D2J-M5T1U3	S-1333D2J-A4T2U3	S-1333D2J-A4T1U3
2.9 V ± 1.0%	S-1333D29-M5T1U3	S-1333D29-A4T2U3	S-1333D29-A4T1U3
3.0 V ± 1.0%	S-1333D30-M5T1U3	S-1333D30-A4T2U3	S-1333D30-A4T1U3
3.1 V ± 1.0%	S-1333D31-M5T1U3	S-1333D31-A4T2U3	S-1333D31-A4T1U3
3.2 V ± 1.0%	S-1333D32-M5T1U3	S-1333D32-A4T2U3	S-1333D32-A4T1U3
3.3 V ± 1.0%	S-1333D33-M5T1U3	S-1333D33-A4T2U3	S-1333D33-A4T1U3
3.4 V ± 1.0%	S-1333D34-M5T1U3	S-1333D34-A4T2U3	S-1333D34-A4T1U3
3.5 V ± 1.0%	S-1333D35-M5T1U3	S-1333D35-A4T2U3	S-1333D35-A4T1U3

Remark Please contact our sales office for products other than the above.

Pin Configurations

1. SOT-23-5

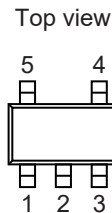


Figure 5

Table 7

Pin No.	Symbol	Description
1	VIN	Input voltage pin
2	VSS	GND pin
3	ON / OFF	ON / OFF pin
4	NC*1	No connection
5	VOUT	Output voltage pin

- *1. The NC pin is electrically open.
The NC pin can be connected to the VIN pin or the VSS pin.

2. HSNT-4 (1010)

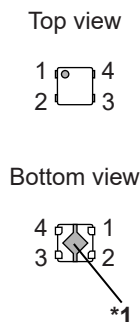


Figure 6

Table 8

Pin No.	Symbol	Description
1	VOUT	Output voltage pin
2	VSS	GND pin
3	ON / OFF	ON / OFF pin
4	VIN	Input voltage pin

- *1. Connect the heat sink of backside at shadowed area to the board, and set electric potential GND.
However, do not use it as the function of electrode.

3. HSNT-4 (0808)

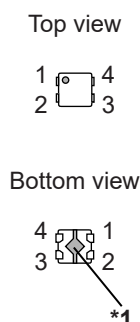


Figure 7

Table 9

Pin No.	Symbol	Description
1	VOUT	Output voltage pin
2	VSS	GND pin
3	ON / OFF	ON / OFF pin
4	VIN	Input voltage pin

- *1. Connect the heat sink of backside at shadowed area to the board, and set electric potential GND.
However, do not use it as the function of electrode.

■ Absolute Maximum Ratings

Table 10

(Ta = +25°C unless otherwise specified)

Item	Symbol	Absolute Maximum Rating	Unit
Input voltage	V _{IN}	V _{SS} - 0.3 to V _{SS} + 6.0	V
	V _{ON/OFF}	V _{SS} - 0.3 to V _{SS} + 6.0	V
Output voltage	V _{OUT}	V _{SS} - 0.3 to V _{IN} + 0.3	V
Output current	I _{OUT}	360	mA
Power dissipation	SOT-23-5	600*1	mW
	HSNT-4 (1010)	340*1	mW
	HSNT-4 (0808)	335*1	mW
Operation ambient temperature	T _{opr}	-40 to +85	°C
Storage temperature	T _{stg}	-40 to +125	°C

*1. When mounted on board

[Mounted board]

(1) Board size: 114.3 mm × 76.2 mm × t1.6 mm

(2) Name: JEDEC STANDARD51-7

Caution The absolute maximum ratings are rated values exceeding which the product could suffer physical damage. These values must therefore not be exceeded under any conditions.

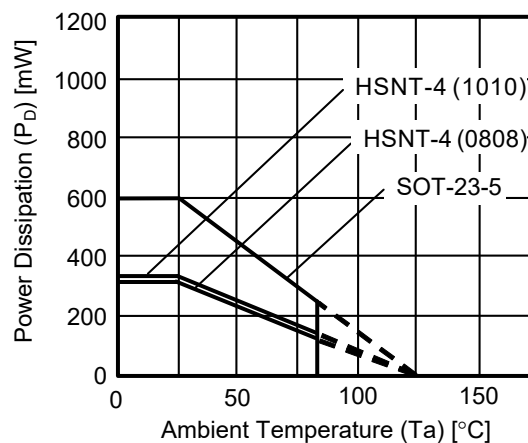


Figure 8 Power Dissipation of Package (When Mounted on Board)

Power Dissipation of HSNT-4 (1010) and HSNT-4 (0808) (Reference)

Power dissipation of package differs depending on the mounting conditions.
Consider the power dissipation characteristics under the following conditions as reference.

[Mounted board]

- (1) Board size: 40 mm × 40 mm × t0.8 mm
 - (2) Board material: Glass epoxy resin (four layers)
 - (3) Wiring ratio: 50%
 - (4) Test conditions: When mounted on board (wind speed: 0 m/s)
 - (5) Land pattern: Refer to the recommended land pattern
- Drawing code: PL004-A-L-SD (HSNT-4 (1010)), PK004-A-L-SD (HSNT-4 (0808))

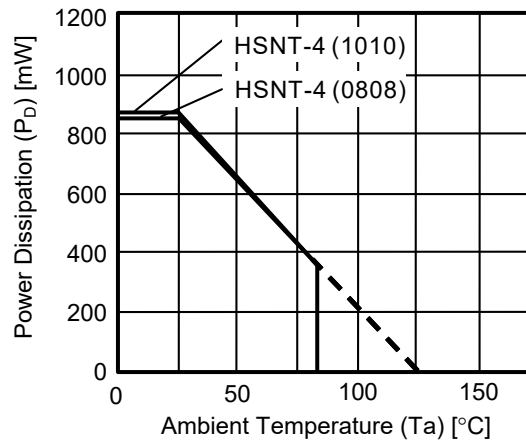


Figure 9 Power Dissipation of Package (When Mounted on Board)

Table 11

Condition	Power Dissipation (Reference)	Thermal Resistance Value (θ_j-a)
HSNT-4 (1010) (When mounted on board)	870 mW	115°C/W
HSNT-4 (0808) (When mounted on board)	850 mW	117°C/W

■ **Electrical Characteristics**

Table 12 (1 / 2)

(Ta = +25°C unless otherwise specified)

Item	Symbol	Condition	Min.	Typ.	Max.	Unit	Test Circuit	
Output voltage*1	V _{OUT(E)}	V _{IN} = V _{OUT(S)} + 1.0 V, I _{OUT} = 30 mA	1.0 V ≤ V _{OUT(S)} < 1.5 V	V _{OUT(S)} − 0.015	V _{OUT(S)}	V _{OUT(S)} + 0.015	V	1
			1.5 V ≤ V _{OUT(S)} ≤ 3.5 V	V _{OUT(S)} × 0.99	V _{OUT(S)}	V _{OUT(S)} × 1.01	V	1
Output current*2	I _{OUT}	V _{IN} ≥ V _{OUT(S)} + 1.0 V	1.0 V ≤ V _{OUT(S)} < 1.1 V	225*5	−	−	mA	3
			1.1 V ≤ V _{OUT(S)} < 1.2 V	250*5	−	−	mA	3
			1.2 V ≤ V _{OUT(S)} < 1.3 V	275*5	−	−	mA	3
			1.3 V ≤ V _{OUT(S)} ≤ 3.5 V	300*5	−	−	mA	3
Dropout voltage*3	V _{drop}	I _{OUT} = 100 mA	1.0 V ≤ V _{OUT(S)} < 1.1 V	0.50	0.65	0.84	V	1
			1.1 V ≤ V _{OUT(S)} < 1.2 V	−	0.54	0.72	V	1
			1.2 V ≤ V _{OUT(S)} < 1.3 V	−	0.32	0.64	V	1
			1.3 V ≤ V _{OUT(S)} < 1.4 V	−	0.28	0.56	V	1
			1.4 V ≤ V _{OUT(S)} < 1.5 V	−	0.25	0.51	V	1
			1.5 V ≤ V _{OUT(S)} < 1.7 V	−	0.24	0.47	V	1
			1.7 V ≤ V _{OUT(S)} < 2.0 V	−	0.22	0.43	V	1
			2.0 V ≤ V _{OUT(S)} < 2.5 V	−	0.18	0.36	V	1
			2.5 V ≤ V _{OUT(S)} < 3.0 V	−	0.16	0.31	V	1
			3.0 V ≤ V _{OUT(S)} < 3.3 V	−	0.14	0.28	V	1
3.3 V ≤ V _{OUT(S)} ≤ 3.5 V	−	0.13	0.27	V	1			
Line regulation	$\frac{\Delta V_{OUT1}}{\Delta V_{IN} \cdot V_{OUT}}$	1.6 V ≤ V _{IN} ≤ 5.5 V, I _{OUT} = 30 mA	1.0 V ≤ V _{OUT(S)} < 1.1 V	−	0.02	0.1	%/V	1
	$\frac{\Delta V_{OUT}}{\Delta V_{IN} \cdot V_{OUT}}$	V _{OUT(S)} + 0.5 V ≤ V _{IN} ≤ 5.5 V, I _{OUT} = 30 mA	1.1 V ≤ V _{OUT(S)} ≤ 3.5 V	−	0.02	0.1	%/V	1
Load regulation	ΔV _{OUT2}	V _{IN} = V _{OUT(S)} + 1.0 V, 100 μA ≤ I _{OUT} ≤ 100 mA	1.0 V ≤ V _{OUT(S)} ≤ 3.5 V	−	20	40	mV	1
		V _{IN} = 2.2 V, 100 μA ≤ I _{OUT} ≤ 300 mA	1.0 V ≤ V _{OUT(S)} < 1.2 V	−	60	120	mV	1
		V _{IN} = V _{OUT(S)} + 1.0 V, 100 μA ≤ I _{OUT} ≤ 300 mA	1.2 V ≤ V _{OUT(S)} ≤ 3.5 V	−	60	120	mV	1
Output voltage temperature coefficient*4	$\frac{\Delta V_{OUT}}{\Delta T_a \cdot V_{OUT}}$	V _{IN} = V _{OUT(S)} + 1.0 V, I _{OUT} = 100 mA, −40°C ≤ Ta ≤ +85°C	−	±130	−	ppm/°C	1	
Current consumption during operation	I _{SS1}	V _{IN} = V _{OUT(S)} + 1.0 V, ON / OFF pin = ON, no load	−	25	38	μA	2	
Current consumption during power-off	I _{SS2}	V _{IN} = V _{OUT(S)} + 1.0 V, ON / OFF pin = OFF, no load	−	0.1	1.0	μA	2	
Input voltage	V _{IN}	−	1.5	−	5.5	V	−	
ON / OFF pin input voltage "H"	V _{SH}	V _{IN} = V _{OUT(S)} + 1.0 V, R _L = 1.0 kΩ determined by V _{OUT} output level	1.0	−	−	V	4	
ON / OFF pin input voltage "L"	V _{SL}	V _{IN} = V _{OUT(S)} + 1.0 V, R _L = 1.0 kΩ determined by V _{OUT} output level	−	−	0.25	V	4	
ON / OFF pin input current "H"	I _{SH}	V _{IN} = 5.5 V, V _{ON / OFF} = 5.5 V	B / D type (without pull-down resistor)	−0.1	−	0.1	μA	4
			A / C type (with pull-down resistor)	1.0	2.5	5.0	μA	4
ON / OFF pin input current "L"	I _{SL}	V _{IN} = 5.5 V, V _{ON / OFF} = 0 V	−0.1	−	0.1	μA	4	
Ripple rejection	RR	V _{IN} = V _{OUT(S)} + 1.0 V, f = 1.0 kHz, ΔV _{rip} = 0.5 V _{rms} , I _{OUT} = 30 mA	1.0 V ≤ V _{OUT(S)} ≤ 1.6 V	−	75	−	dB	5
			1.6 V < V _{OUT(S)} ≤ 2.85 V	−	70	−	dB	5
			2.85 V < V _{OUT(S)} ≤ 3.5 V	−	65	−	dB	5
Short-circuit current	I _{short}	V _{IN} = V _{OUT(S)} + 1.0 V, ON / OFF pin = ON, V _{OUT} = 0 V	−	50	−	mA	3	

Table 12 (2 / 2)

(Ta = +25°C unless otherwise specified)

Item	Symbol	Condition		Min.	Typ.	Max.	Unit	Test Circuit
Thermal shutdown detection temperature	T _{SD}	Junction temperature		–	150	–	°C	–
Thermal shutdown release temperature	T _{SR}	Junction temperature		–	120	–	°C	–
Discharge shunt resistance during power-off	R _{LOW}	V _{OUT} = 0.1 V, V _{IN} = 5.5 V	A / B type (with discharge shunt function)	–	35	–	Ω	3
Power-off pull-down resistance	R _{PD}	–	A / C type (with pull-down resistor)	1.0	2.2	5.0	MΩ	4

- *1. V_{OUT(S)}: Set output voltage
 V_{OUT(E)}: Actual output voltage
 Output voltage when fixing I_{OUT} (= 30 mA) and inputting V_{OUT(S)} + 1.0 V
- *2. The output current at which the output voltage becomes 95% of V_{OUT(E)} after gradually increasing the output current.
- *3. V_{drop} = V_{IN1} – (V_{OUT3} × 0.98)
 V_{OUT3} is the output voltage when V_{IN} = V_{OUT(S)} + 1.0 V and I_{OUT} = 100 mA.
 V_{IN1} is the input voltage at which the output voltage becomes 98% of V_{OUT3} after gradually decreasing the input voltage.
- *4. A change in the temperature of the output voltage [mV/°C] is calculated using the following equation.

$$\frac{\Delta V_{OUT}}{\Delta T_a} \text{ [mV/°C]}^{*1} = V_{OUT(S)} \text{ [V]}^{*2} \times \frac{\Delta V_{OUT}}{\Delta T_a \bullet V_{OUT}} \text{ [ppm/°C]}^{*3} \div 1000$$
 - *1. Change in temperature of output voltage
 - *2. Set output voltage
 - *3. Output voltage temperature coefficient
- *5. The output current can be at least this value.
 Due to restrictions on the package power dissipation, this value may not be satisfied. Attention should be paid to the power dissipation of the package when the output current is large.
 This specification is guaranteed by design.

■ Test Circuits

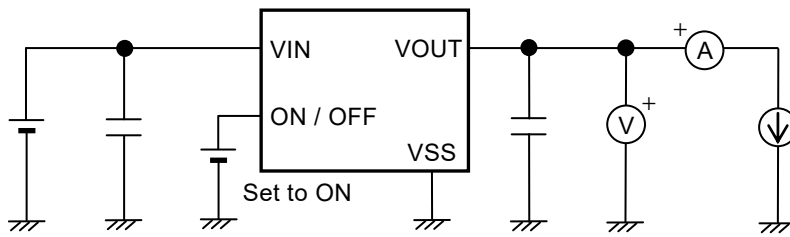


Figure 10 Test Circuit 1

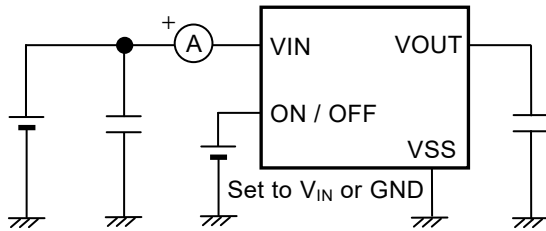


Figure 11 Test Circuit 2

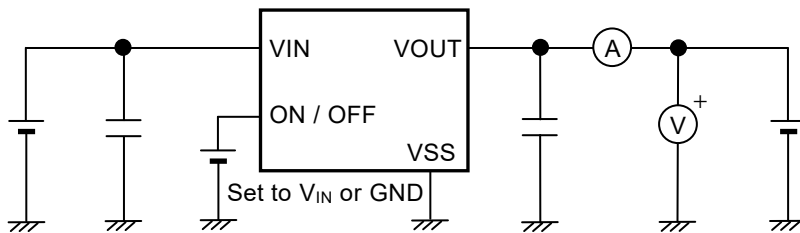


Figure 12 Test Circuit 3

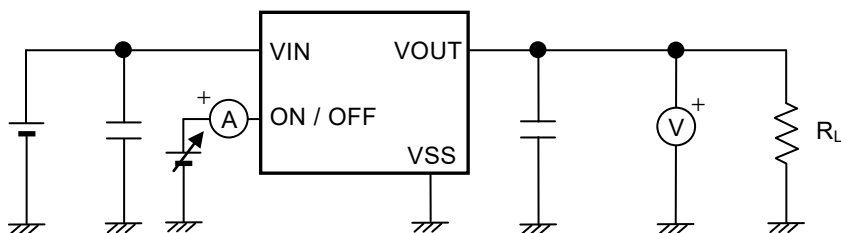


Figure 13 Test Circuit 4

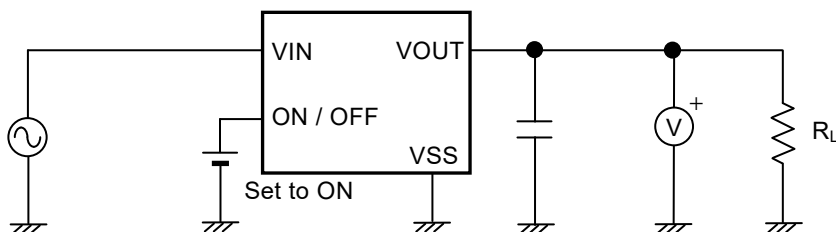
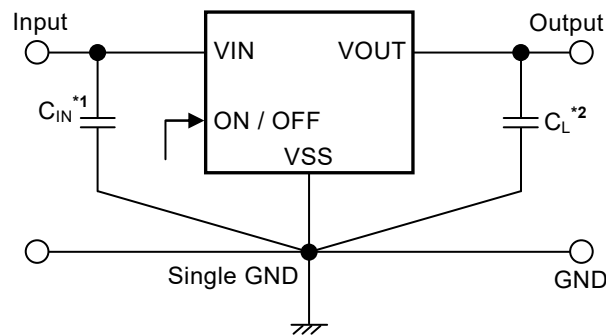


Figure 14 Test Circuit 5

■ Standard Circuit



- *1. C_{IN} is a capacitor for stabilizing the input.
- *2. A ceramic capacitor of 1.0 μF or more can be used as C_L .

Figure 15

Caution The above connection diagram and constants will not guarantee successful operation. Perform thorough evaluation using the actual application to set the constants.

■ Condition of Application

Input capacitor (C_{IN}): 1.0 μF or more
Output capacitor (C_L): 1.0 μF or more

Caution Generally a series regulator may cause oscillation, depending on the selection of external parts. Confirm that no oscillation occurs in the application for which the above capacitors are used.

■ Selection of Input and Output Capacitors (C_{IN} , C_L)

The S-1333 Series requires an output capacitor between the VOUT pin and VSS pin for phase compensation. Operation is stabilized by a ceramic capacitor with an output capacitance of 1.0 μF or more over the entire temperature range. When using an OS capacitor, a tantalum capacitor, or an aluminum electrolytic capacitor, the capacitance must be 1.0 μF or more.

The value of the output overshoot or undershoot transient response varies depending on the value of the output capacitor. The required capacitance of the input capacitor differs depending on the application.

The recommended capacitance for an application is $C_{IN} \geq 1.0 \mu\text{F}$, $C_L \geq 1.0 \mu\text{F}$; however, when selecting the output capacitor, perform sufficient evaluation, including evaluation of temperature characteristics, on the actual device.

■ Explanation of Terms

1. Low dropout voltage regulator

This voltage regulator has the low dropout voltage due to its built-in low on-resistance transistor.

2. Output voltage (V_{OUT})

The accuracy of the output voltage is ensured at $\pm 1.0\%$ or $\pm 15\text{ mV}^*1$ under the specified conditions of fixed input voltage^{*2}, fixed output current, and fixed temperature.

*1. When $V_{OUT} < 1.5\text{ V}$: $\pm 15\text{ mV}$, when $V_{OUT} \geq 1.5\text{ V}$: $\pm 1.0\%$

*2. Differs depending on the product.

Caution If the above conditions change, the output voltage value may vary and exceed the accuracy range of the output voltage. Refer to "■ Electrical Characteristics" and "■ Characteristics (Typical Data)" for details.

3. Line regulation $\left(\frac{\Delta V_{OUT1}}{\Delta V_{IN} \bullet V_{OUT}}\right)$

Indicates the dependency of the output voltage on the input voltage. That is, the values show how much the output voltage changes due to a change in the input voltage with the output current remaining unchanged.

4. Load regulation (ΔV_{OUT2})

Indicates the dependency of the output voltage on the output current. That is, the values show how much the output voltage changes due to a change in the output current with the input voltage remaining unchanged.

5. Dropout voltage (V_{drop})

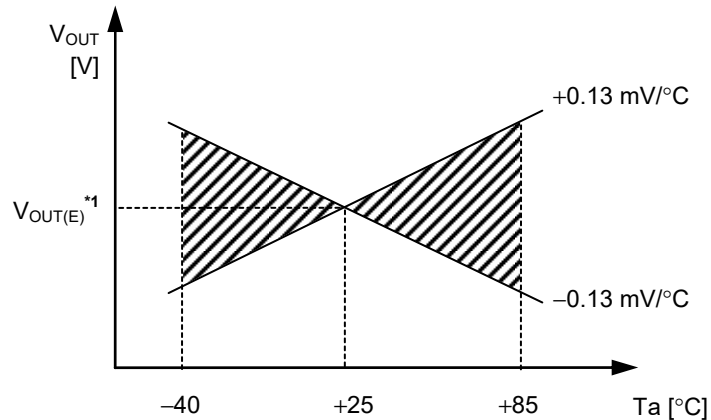
Indicates the difference between input voltage (V_{IN1}) and the output voltage when; decreasing input voltage (V_{IN}) gradually until the output voltage has dropped out to the value of 98% of output voltage (V_{OUT3}), which is at $V_{IN} = V_{OUT(S)} + 1.0\text{ V}$.

$$V_{drop} = V_{IN1} - (V_{OUT3} \times 0.98)$$

6. Output voltage temperature coefficient $\left(\frac{\Delta V_{OUT}}{\Delta T_a \bullet V_{OUT}}\right)$

The shaded area in **Figure 16** is the range where V_{OUT} varies in the operation temperature range when the output voltage temperature coefficient is ± 130 ppm/ $^{\circ}\text{C}$.

Example of S-1333A10 typ. product



*1. $V_{OUT(E)}$ is the value of the output voltage measured at $T_a = +25^{\circ}\text{C}$.

Figure 16

A change in the temperature of the output voltage [mV/ $^{\circ}\text{C}$] is calculated using the following equation.

$$\frac{\Delta V_{OUT}}{\Delta T_a} \text{ [mV/}^{\circ}\text{C]}^{*1} = V_{OUT(S)} \text{ [V]}^{*2} \times \frac{\Delta V_{OUT}}{\Delta T_a \bullet V_{OUT}} \text{ [ppm/}^{\circ}\text{C]}^{*3} \div 1000$$

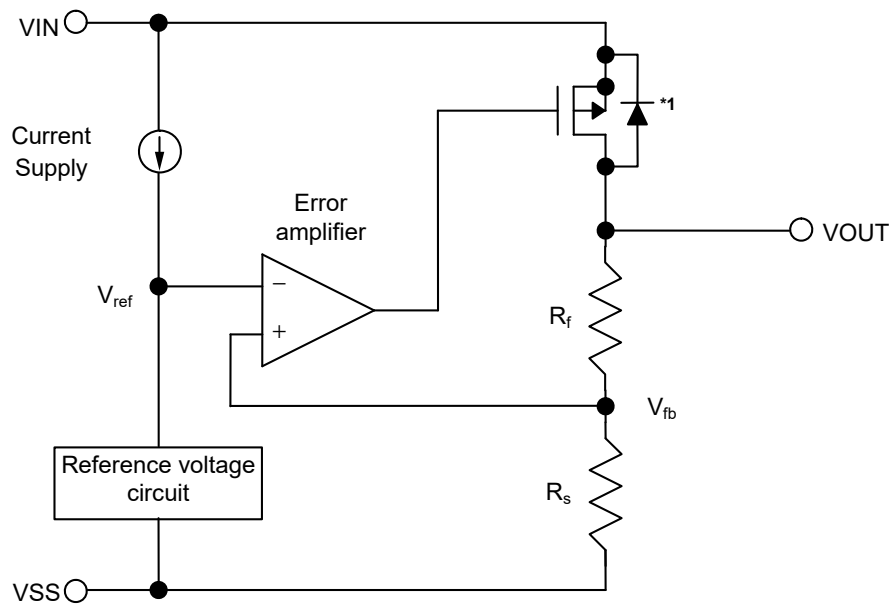
- *1. Change in temperature of output voltage
- *2. Set output voltage
- *3. Output voltage temperature coefficient

■ Operation

1. Basic operation

Figure 17 shows the block diagram of the S-1333 Series.

The error amplifier compares the reference voltage (V_{ref}) with feedback voltage (V_{fb}), which is the output voltage resistance-divided by feedback resistors (R_s and R_f). It supplies the gate voltage necessary to maintain the constant output voltage which is not influenced by the input voltage and temperature change, to the output transistor.



*1. Parasitic diode

Figure 17

2. Output transistor

In the S-1333 Series, a low on-resistance P-channel MOS FET is used as the output transistor.

Be sure that V_{OUT} does not exceed $V_{IN} + 0.3$ V to prevent the voltage regulator from being damaged due to reverse current flowing from the V_{OUT} pin through a parasitic diode to the V_{IN} pin, when the potential of V_{OUT} became higher than V_{IN} .

3. ON / OFF pin

This pin starts and stops the regulator.

When the ON / OFF pin is set to OFF level, the entire internal circuit stops operating, and the built-in P-channel MOS FET output transistor between the VIN pin and the VOUT pin is turned off, reducing current consumption significantly.

Note that the current consumption increases when a voltage of 0.25 V to $V_{IN} - 0.3$ V is applied to the ON / OFF pin. The ON / OFF pin is configured as shown in **Figure 18** and **Figure 19**.

3.1 S-1333 Series A / C type

The ON / OFF pin is internally pulled down to the VSS pin in the floating status, so the VOUT pin is set to the V_{SS} level. For the ON / OFF pin current, refer to the A / C type of the ON / OFF pin input current "H" in "■ **Electrical Characteristics**".

3.2 S-1333 Series B / D type

The ON / OFF pin is internally not pulled up or pulled down, so do not use this pin in the floating status. When not using the ON / OFF pin, connect the pin to the VIN pin.

Table 13

Product Type	ON / OFF Pin	Internal Circuit	VOUT Pin Voltage	Current Consumption
A / B / C / D	"H": ON	Operate	Set value	I_{SS1}^{*1}
A / B / C / D	"L": OFF	Stop	V_{SS} level	I_{SS2}

*1. Note that the IC's current consumption increases as much as current flows into the pull-down resistor when the ON / OFF pin is connected to the VIN pin and the S-1333 Series A / C type is operating (refer to **Figure 18**).

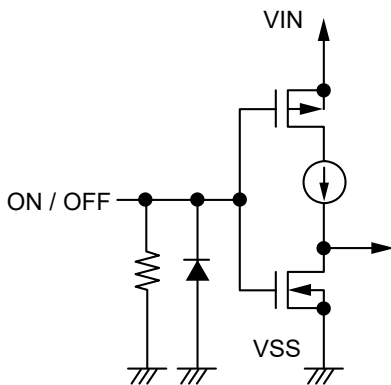


Figure 18 S-1333 Series A / C type

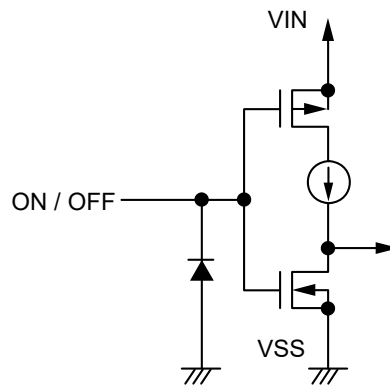


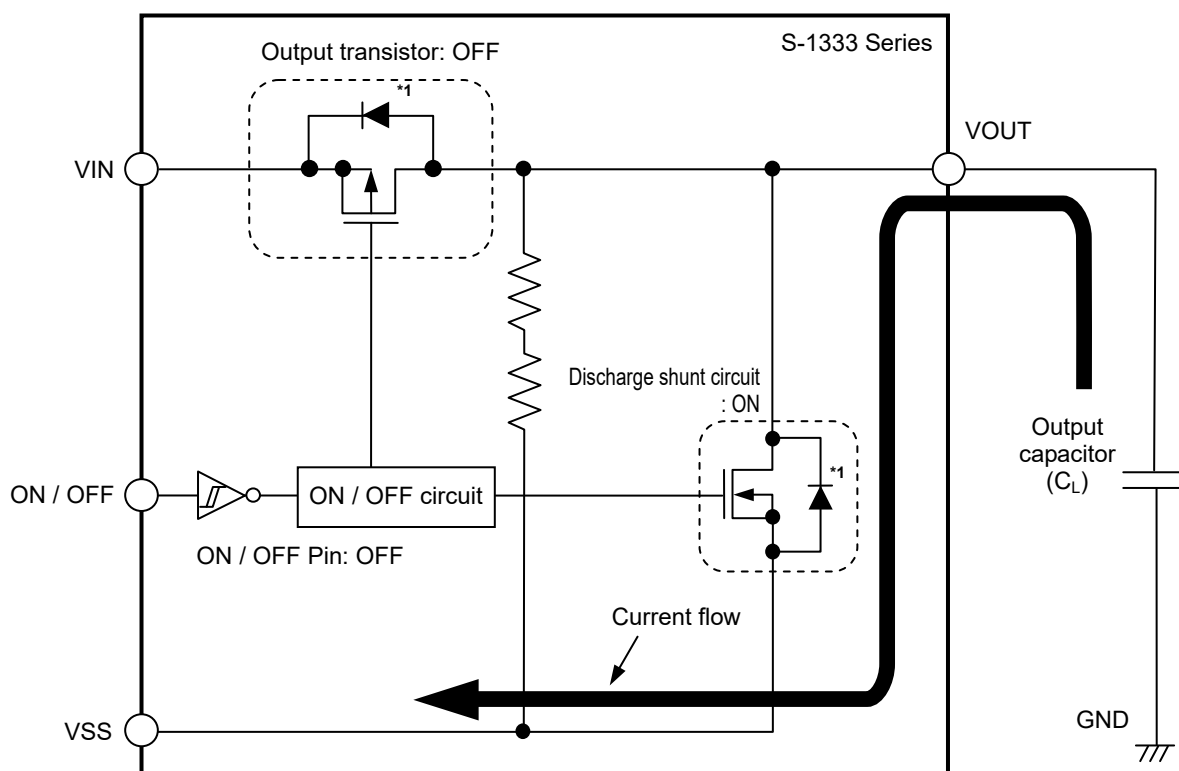
Figure 19 S-1333 Series B / D type

4. Discharge shunt function (S-1333 Series A / B type)

The S-1333 Series A / B type has a built-in discharge shunt circuit to discharge the output capacitance. The output capacitance is discharged as follows so that the VOUT pin reaches the VSS level.

- (1) The ON / OFF pin is set to OFF level.
- (2) The output transistor is turned off.
- (3) The discharge shunt circuit is turned on.
- (4) The output capacitor discharges.

Since the S-1333 Series C / D type does not have a discharge shunt circuit, the VOUT pin is set to the VSS level through several hundred kΩ internal divided resistors between the VOUT pin and the VSS pin. The S-1333 Series A / B type allows the VOUT pin to reach the VSS level rapidly due to the discharge shunt circuit.



*1. Parasitic diode

Figure 20

5. Pull-down resistor (S-1333 Series A / C type)

The ON / OFF pin is internally pulled down to the VSS pin in the floating status, so the VOUT pin is set to the VSS level.

Note that the IC's current consumption increases as much as current flows into the pull-down resistor of 2.2 MΩ typ. when the ON / OFF pin is connected to the VIN pin.

6. Overcurrent protection circuit

The S-1333 Series includes an overcurrent protection circuit having the characteristics shown in "1. **Output voltage vs. Output current (When load current increases) (Ta = +25°C)**" in "■ **Characteristics (Typical Data)**", in order to protect the output transistor against an excessive output current and short circuiting between the VOUT pin and the VSS pin. The current when the output pin is short-circuited (I_{short}) is internally set at approx. 50 mA typ., and the normal value is restored for the output voltage, if releasing a short circuit once.

Caution This overcurrent protection circuit does not work as for thermal protection. If this IC long keeps short circuiting inside, pay attention to the conditions of input voltage and load current so that, under the usage conditions including short circuit, the loss of the IC will not exceed power dissipation of the package.

7. Thermal shutdown circuit

The S-1333 Series has a thermal shutdown circuit to protect the device from damage due to overheat. When the junction temperature rises to 150°C typ., the thermal shutdown circuit operates to stop regulating. When the junction temperature drops to 120°C typ., the thermal shutdown circuit is released to restart regulating.

Due to self-heating of the S-1333 Series, if the thermal shutdown circuit starts operating, it stops regulating so that the output voltage drops. When regulation stops, the S-1333 Series does not itself generate heat and the IC's temperature drops. When the temperature drops, the thermal shutdown circuit is released to restart regulating, thus the S-1333 Series generates heat again. Repeating this procedure makes the waveform of the output voltage into a pulse-like form. Stop or restart of regulation continues unless decreasing either or both of the input voltage and the output current in order to reduce the internal power consumption, or decreasing the ambient temperature.

Table 14

Thermal Shutdown Circuit	VOUT Pin Voltage
Operate: 150°C typ.*1	V _{SS} level
Release: 120°C typ.*1	Set value

*1. Junction temperature

■ Precautions

- Wiring patterns for the VIN pin, the VOUT pin and GND should be designed so that the impedance is low. When mounting an output capacitor between the VOUT pin and the VSS pin (C_L) and a capacitor for stabilizing the input between the VIN pin and the VSS pin (C_{IN}), the distance from the capacitors to these pins should be as short as possible.
- Note that generally the output voltage may increase when a series regulator is used at low load current (1.0 mA or less).
- Note that generally the output voltage may increase due to the leakage current from an output driver when a series regulator is used at high temperature.
- Note that the output voltage may increase due to the leakage current from an output driver even if the ON / OFF pin is at OFF level when a series regulator is used at high temperature.
- Generally a series regulator may cause oscillation, depending on the selection of external parts. The following conditions are recommended for the S-1333 Series. However, be sure to perform sufficient evaluation under the actual usage conditions for selection, including evaluation of temperature characteristics. Refer to "5. Example of equivalent series resistance vs. Output current characteristics ($T_a = +25^\circ\text{C}$)" in "■ Reference Data" for the equivalent series resistance (R_{ESR}) of the output capacitor.

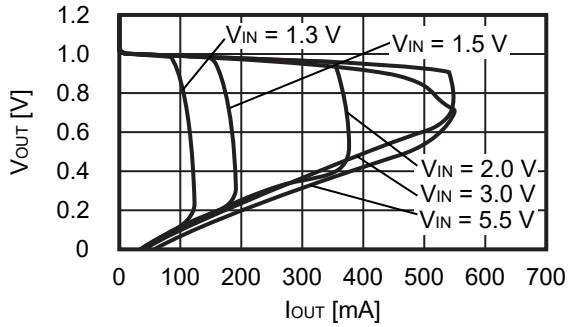
Input capacitor (C_{IN}):	1.0 μF or more
Output capacitor (C_L):	1.0 μF or more

- The voltage regulator may oscillate when the impedance of the power supply is high and the input capacitance is small or an input capacitor is not connected.
- If the output capacitance is small, power supply's fluctuation and the characteristics of load fluctuation become worse. Sufficiently evaluate the output voltage's fluctuation with the actual device.
- Overshoot may occur in the output voltage momentarily if the voltage is rapidly raised at power-on or when the power supply fluctuates. Sufficiently evaluate the output voltage at power-on with the actual device.
- The application conditions for the input voltage, the output voltage, and the load current should not exceed the package power dissipation.
- Do not apply an electrostatic discharge to this IC that exceeds the performance ratings of the built-in electrostatic protection circuit.
- In determining the output current, attention should be paid to the output current value specified in **Table 12** in "■ Electrical Characteristics" and footnote *5 of the table.
- ABLIC Inc. claims no responsibility for any disputes arising out of or in connection with any infringement by products including this IC of patents owned by a third party.

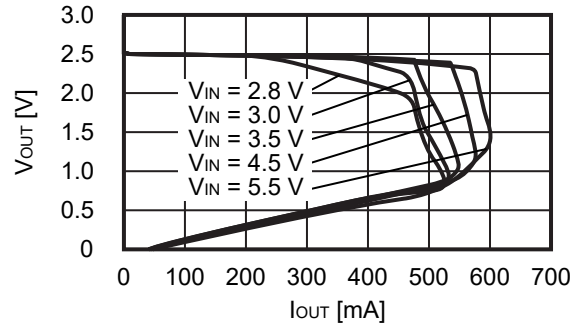
■ Characteristics (Typical Data)

1. Output voltage vs. Output current (When load current increases) ($T_a = +25^\circ\text{C}$)

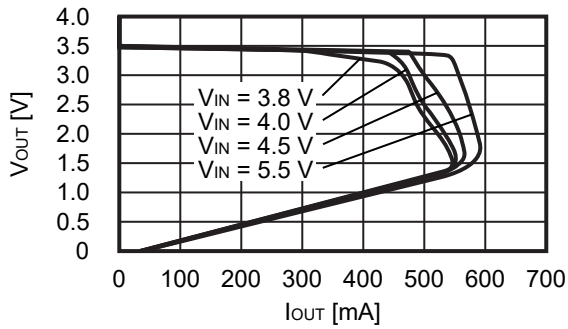
1.1 $V_{OUT} = 1.0\text{ V}$



1.2 $V_{OUT} = 2.5\text{ V}$



1.3 $V_{OUT} = 3.5\text{ V}$

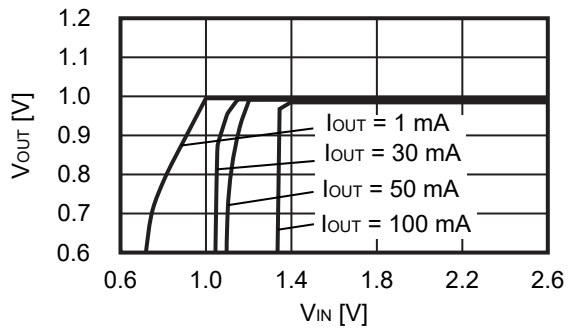


Remark In determining the output current, attention should be paid to the following.

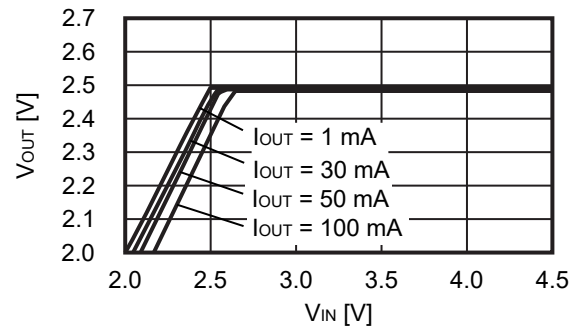
1. The minimum output current value and footnote *5 in Table 12 in "■ Electrical Characteristics"
2. The package power dissipation

2. Output voltage vs. Input voltage ($T_a = +25^\circ\text{C}$)

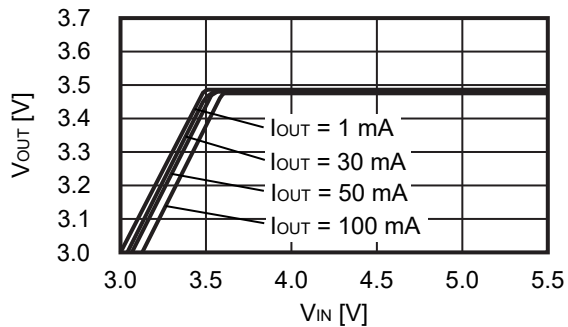
2.1 $V_{OUT} = 1.0\text{ V}$



2.2 $V_{OUT} = 2.5\text{ V}$

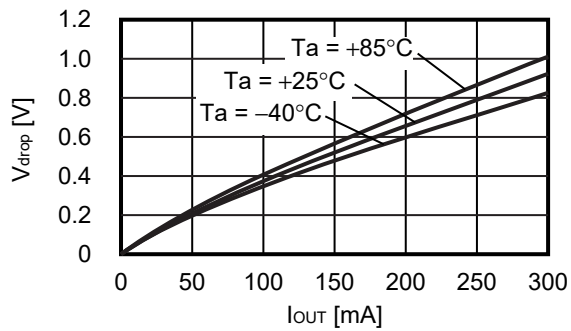


2.3 $V_{OUT} = 3.5\text{ V}$

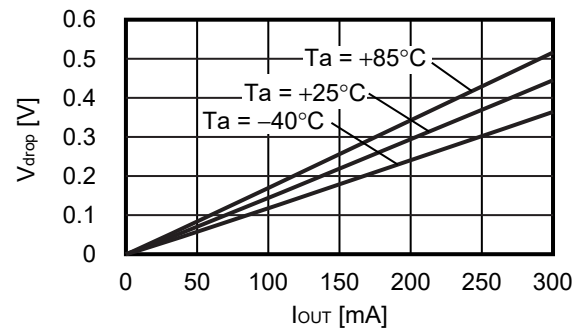


3. Dropout voltage vs. Output current

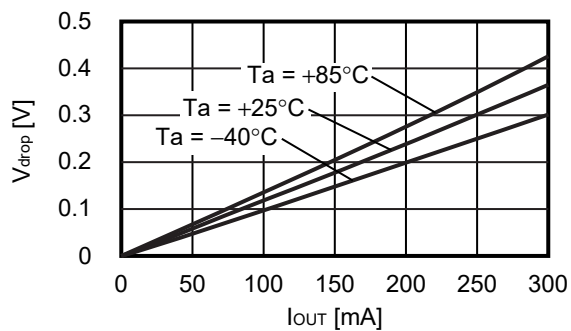
3.1 $V_{OUT} = 1.0\text{ V}$



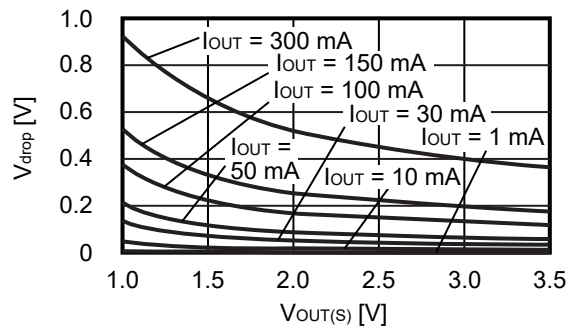
3.2 $V_{OUT} = 2.5\text{ V}$



3.3 $V_{OUT} = 3.5\text{ V}$

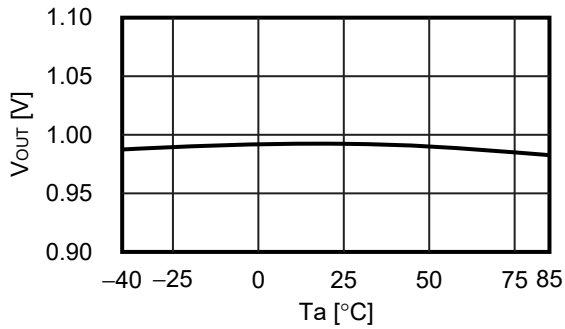


4. Dropout voltage vs. Set output voltage

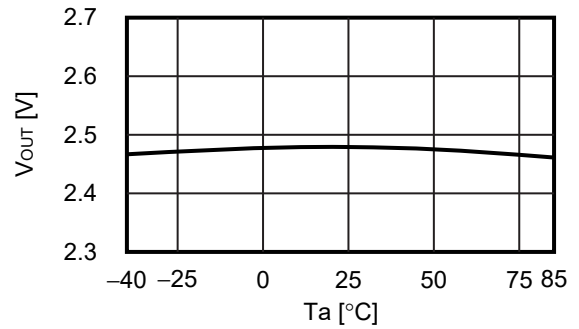


5. Output voltage vs. Ambient temperature

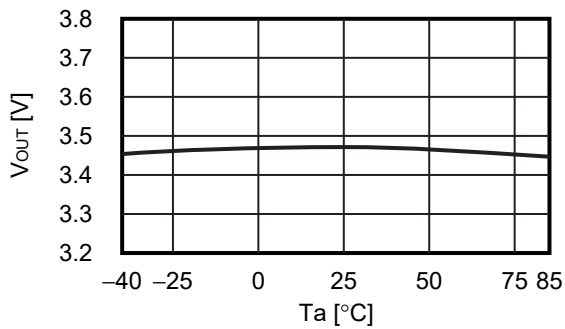
5.1 $V_{OUT} = 1.0\text{ V}$



5.2 $V_{OUT} = 2.5\text{ V}$

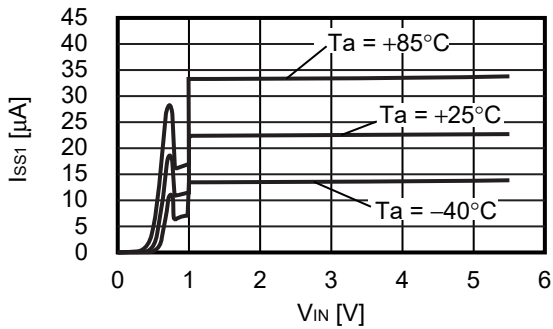


5.3 $V_{OUT} = 3.5\text{ V}$

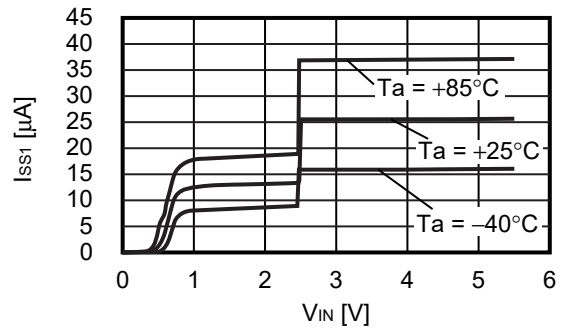


6. Current consumption vs. Input voltage

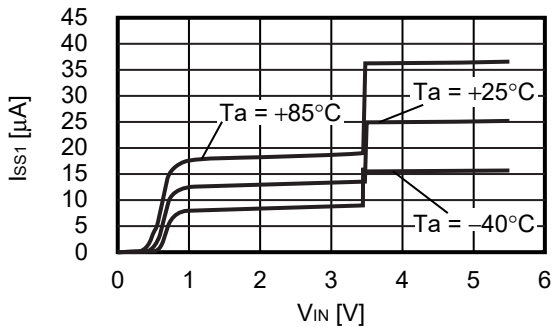
6.1 $V_{OUT} = 1.0\text{ V}$



6.2 $V_{OUT} = 2.5\text{ V}$

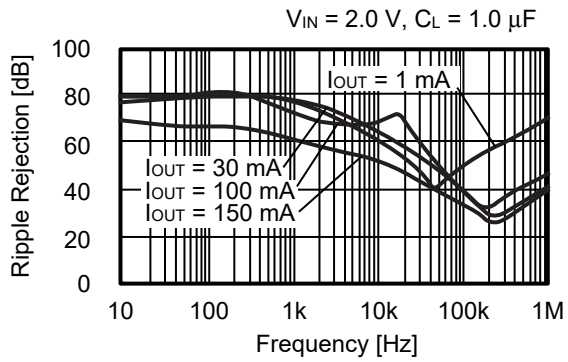


6.3 $V_{OUT} = 3.5\text{ V}$

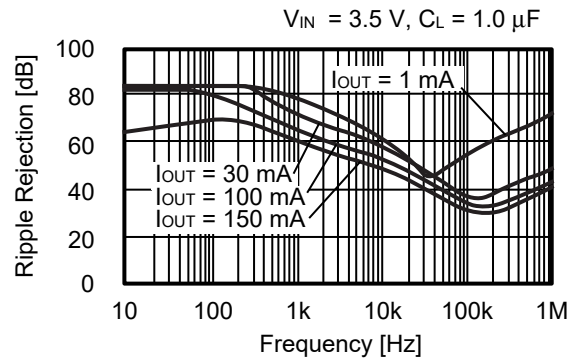


7. Ripple rejection ($T_a = +25^\circ\text{C}$)

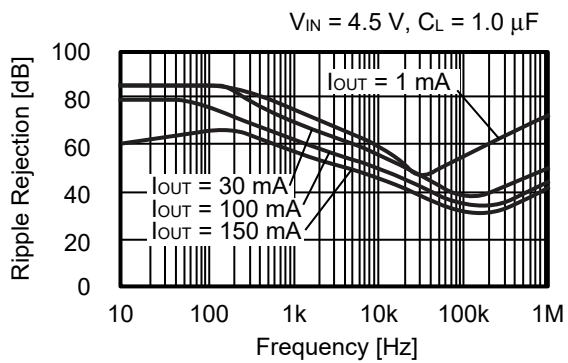
7.1 $V_{OUT} = 1.0\text{ V}$



7.2 $V_{OUT} = 2.5\text{ V}$



7.3 $V_{OUT} = 3.5\text{ V}$

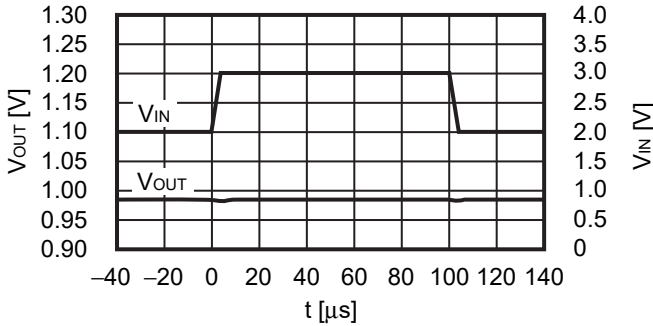


■ Reference Data

1. Transient response characteristics when input ($T_a = +25^\circ\text{C}$)

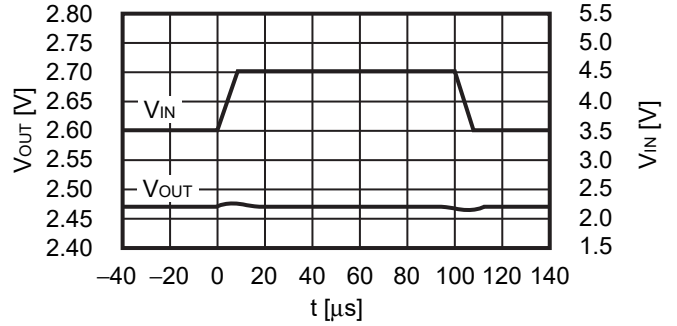
1.1 $V_{OUT} = 1.0\text{ V}$

$I_{OUT} = 100\text{ mA}$, $C_L = 1.0\ \mu\text{F}$, $V_{IN} = 2.0\text{ V} \leftrightarrow 3.0\text{ V}$, $t_r = t_f = 5.0\ \mu\text{s}$



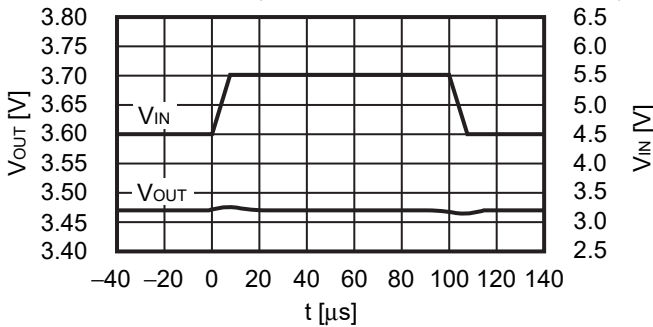
1.2 $V_{OUT} = 2.5\text{ V}$

$I_{OUT} = 100\text{ mA}$, $C_L = 1.0\ \mu\text{F}$, $V_{IN} = 3.5\text{ V} \leftrightarrow 4.5\text{ V}$, $t_r = t_f = 5.0\ \mu\text{s}$



1.3 $V_{OUT} = 3.5\text{ V}$

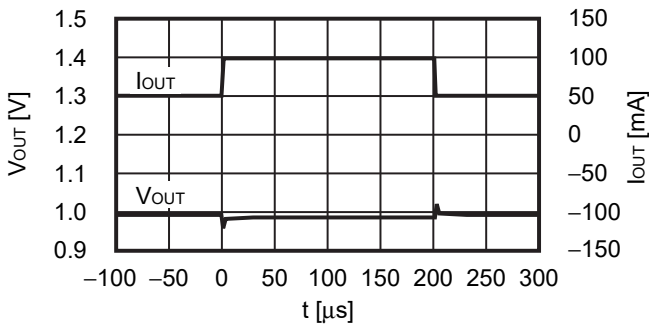
$I_{OUT} = 100\text{ mA}$, $C_L = 1.0\ \mu\text{F}$, $V_{IN} = 4.5\text{ V} \leftrightarrow 5.5\text{ V}$, $t_r = t_f = 5.0\ \mu\text{s}$



2. Transient response characteristics of load ($T_a = +25^\circ\text{C}$)

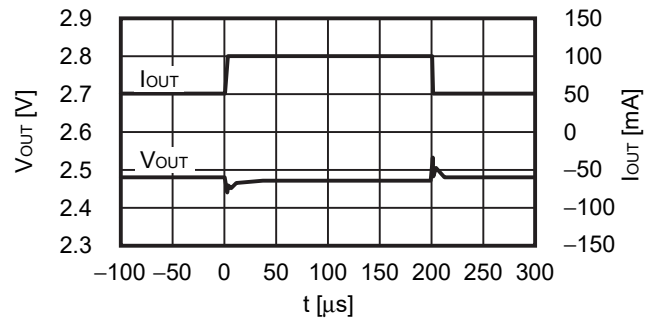
2.1 $V_{OUT} = 1.0\text{ V}$

$V_{IN} = 2.0\text{ V}$, $C_{IN} = C_L = 1.0\ \mu\text{F}$, $I_{OUT} = 50\text{ mA} \leftrightarrow 100\text{ mA}$



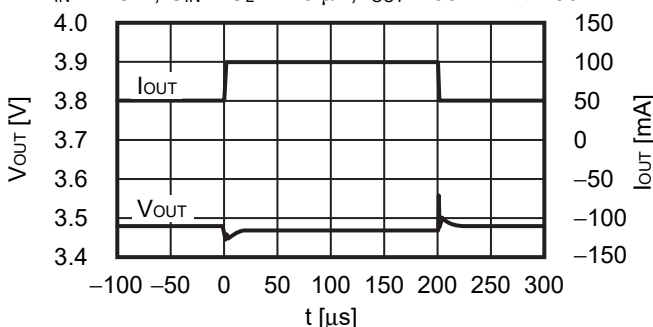
2.2 $V_{OUT} = 2.5\text{ V}$

$V_{IN} = 3.5\text{ V}$, $C_{IN} = C_L = 1.0\ \mu\text{F}$, $I_{OUT} = 50\text{ mA} \leftrightarrow 100\text{ mA}$



2.3 $V_{OUT} = 3.5\text{ V}$

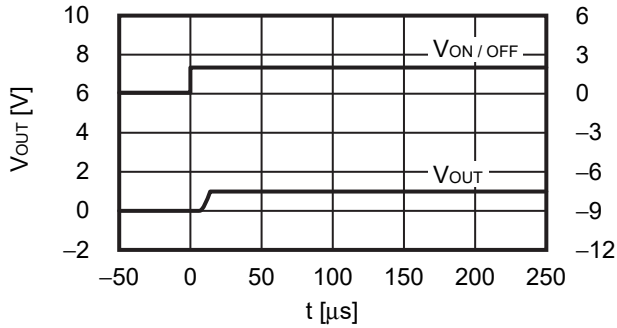
$V_{IN} = 4.5\text{ V}$, $C_{IN} = C_L = 1.0\ \mu\text{F}$, $I_{OUT} = 50\text{ mA} \leftrightarrow 100\text{ mA}$



3. Transient response characteristics of ON / OFF pin ($T_a = +25^\circ\text{C}$)

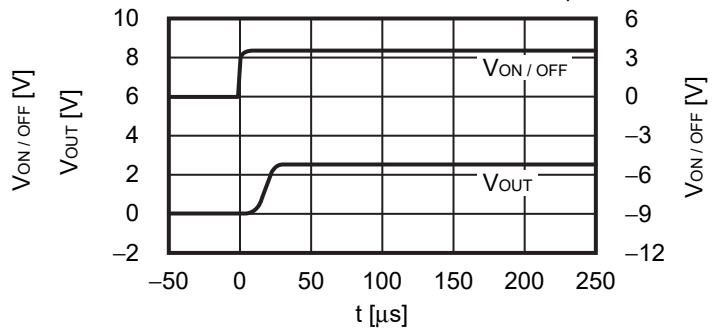
3.1 $V_{\text{OUT}} = 1.0 \text{ V}$

$V_{\text{IN}} = 2.0 \text{ V}$, $C_{\text{IN}} = C_{\text{L}} = 1.0 \mu\text{F}$, $I_{\text{OUT}} = 100 \text{ mA}$,
 $V_{\text{ON/OFF}} = 0 \text{ V} \rightarrow 2.0 \text{ V}$, $t_r = 1.0 \mu\text{s}$



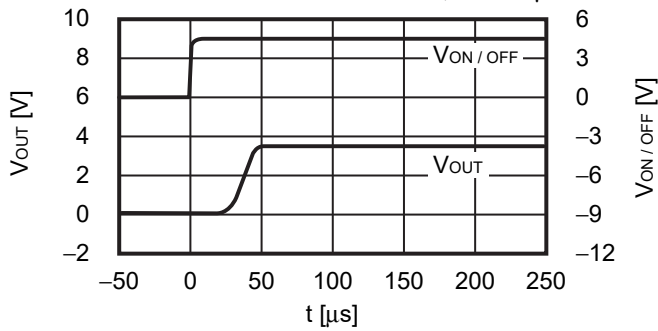
3.2 $V_{\text{OUT}} = 2.5 \text{ V}$

$V_{\text{IN}} = 3.5 \text{ V}$, $C_{\text{IN}} = C_{\text{L}} = 1.0 \mu\text{F}$, $I_{\text{OUT}} = 100 \text{ mA}$,
 $V_{\text{ON/OFF}} = 0 \text{ V} \rightarrow 3.5 \text{ V}$, $t_r = 1.0 \mu\text{s}$



3.3 $V_{\text{OUT}} = 3.5 \text{ V}$

$V_{\text{IN}} = 4.5 \text{ V}$, $C_{\text{IN}} = C_{\text{L}} = 1.0 \mu\text{F}$, $I_{\text{OUT}} = 100 \text{ mA}$,
 $V_{\text{ON/OFF}} = 0 \text{ V} \rightarrow 4.5 \text{ V}$, $t_r = 1.0 \mu\text{s}$



4. Output capacitance vs. Characteristics of discharge time (Ta = +25°C)

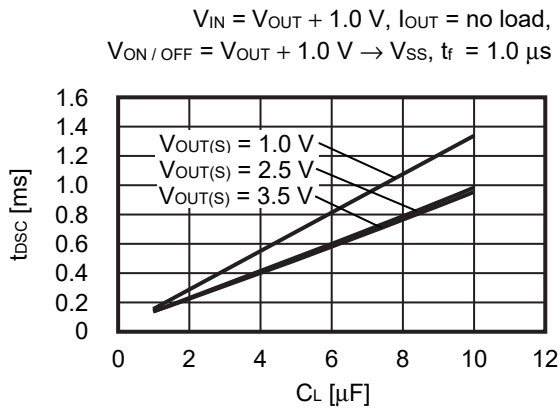


Figure 21 S-1333 Series A / B type (with discharge shunt function)

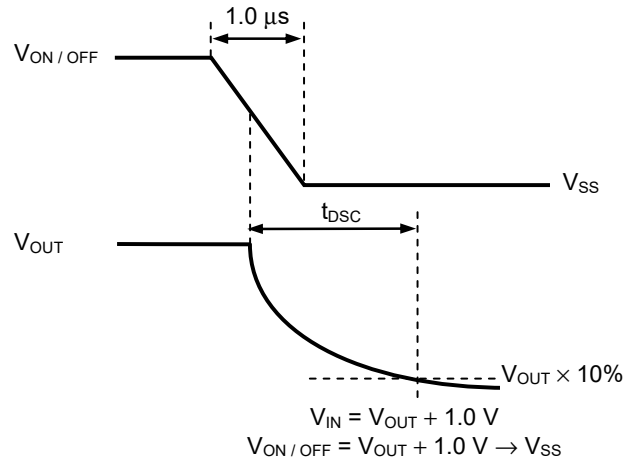


Figure 22 Measurement Condition of Discharge Time

5. Example of equivalent series resistance vs. Output current characteristics (Ta = +25°C)

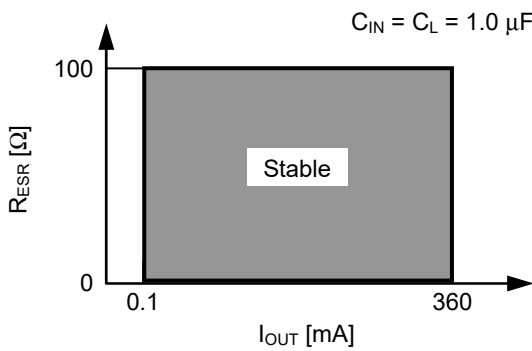


Figure 23

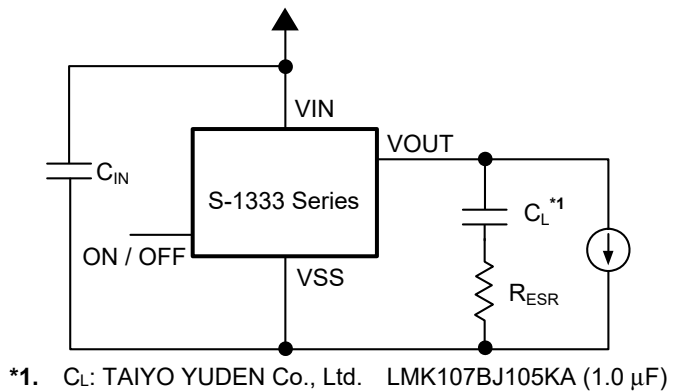
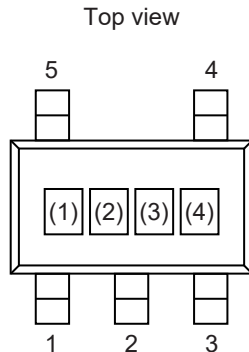


Figure 24

■ Marking Specifications

1. SOT-23-5



(1) to (3): Product code (Refer to **Product name vs. Product code**)
(4): Lot number

Product name vs. Product code

1.1 S-1333 Series A type

Product Name	Product Code		
	(1)	(2)	(3)
S-1333A10-M5T1U3	1	T	A
S-1333A11-M5T1U3	1	T	B
S-1333A12-M5T1U3	1	T	C
S-1333A1C-M5T1U3	1	T	6
S-1333A13-M5T1U3	1	T	D
S-1333A14-M5T1U3	1	T	E
S-1333A15-M5T1U3	1	T	F
S-1333A16-M5T1U3	1	T	G
S-1333A17-M5T1U3	1	T	H
S-1333A18-M5T1U3	1	T	J
S-1333A1J-M5T1U3	1	T	K
S-1333A19-M5T1U3	1	T	L
S-1333A20-M5T1U3	1	T	N
S-1333A21-M5T1U3	1	T	O
S-1333A22-M5T1U3	1	T	P
S-1333A23-M5T1U3	1	T	Q
S-1333A24-M5T1U3	1	T	R
S-1333A25-M5T1U3	1	T	S
S-1333A26-M5T1U3	1	T	T
S-1333A27-M5T1U3	1	T	V
S-1333A28-M5T1U3	1	T	U
S-1333A2J-M5T1U3	1	T	X
S-1333A29-M5T1U3	1	T	Y
S-1333A30-M5T1U3	1	T	Z
S-1333A31-M5T1U3	1	T	1
S-1333A32-M5T1U3	1	T	2
S-1333A33-M5T1U3	1	T	3
S-1333A34-M5T1U3	1	T	4
S-1333A35-M5T1U3	1	T	5

1.2 S-1333 Series B type

Product Name	Product Code		
	(1)	(2)	(3)
S-1333B10-M5T1U3	1	U	A
S-1333B11-M5T1U3	1	U	B
S-1333B12-M5T1U3	1	U	C
S-1333B13-M5T1U3	1	U	D
S-1333B14-M5T1U3	1	U	E
S-1333B15-M5T1U3	1	U	F
S-1333B16-M5T1U3	1	U	G
S-1333B17-M5T1U3	1	U	H
S-1333B18-M5T1U3	1	U	J
S-1333B1J-M5T1U3	1	U	K
S-1333B19-M5T1U3	1	U	L
S-1333B20-M5T1U3	1	U	N
S-1333B21-M5T1U3	1	U	O
S-1333B22-M5T1U3	1	U	P
S-1333B23-M5T1U3	1	U	Q
S-1333B24-M5T1U3	1	U	R
S-1333B25-M5T1U3	1	U	S
S-1333B26-M5T1U3	1	U	T
S-1333B27-M5T1U3	1	U	U
S-1333B28-M5T1U3	1	U	V
S-1333B2J-M5T1U3	1	U	X
S-1333B29-M5T1U3	1	U	Y
S-1333B30-M5T1U3	1	U	Z
S-1333B31-M5T1U3	1	U	1
S-1333B32-M5T1U3	1	U	2
S-1333B33-M5T1U3	1	U	3
S-1333B34-M5T1U3	1	U	4
S-1333B35-M5T1U3	1	U	5

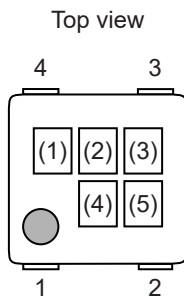
1.3 S-1333 Series C type

Product Name	Product Code		
	(1)	(2)	(3)
S-1333C10-M5T1U3	1	V	A
S-1333C11-M5T1U3	1	V	B
S-1333C12-M5T1U3	1	V	C
S-1333C13-M5T1U3	1	V	D
S-1333C14-M5T1U3	1	V	E
S-1333C15-M5T1U3	1	V	F
S-1333C16-M5T1U3	1	V	G
S-1333C17-M5T1U3	1	V	H
S-1333C18-M5T1U3	1	V	J
S-1333C1J-M5T1U3	1	V	K
S-1333C19-M5T1U3	1	V	L
S-1333C20-M5T1U3	1	V	N
S-1333C21-M5T1U3	1	V	O
S-1333C22-M5T1U3	1	V	P
S-1333C23-M5T1U3	1	V	Q
S-1333C24-M5T1U3	1	V	R
S-1333C25-M5T1U3	1	V	S
S-1333C26-M5T1U3	1	V	T
S-1333C27-M5T1U3	1	V	U
S-1333C28-M5T1U3	1	V	V
S-1333C2J-M5T1U3	1	V	X
S-1333C29-M5T1U3	1	V	Y
S-1333C30-M5T1U3	1	V	Z
S-1333C31-M5T1U3	1	V	1
S-1333C32-M5T1U3	1	V	2
S-1333C33-M5T1U3	1	V	3
S-1333C34-M5T1U3	1	V	4
S-1333C35-M5T1U3	1	V	5

1.4 S-1333 Series D type

Product Name	Product Code		
	(1)	(2)	(3)
S-1333D10-M5T1U3	1	X	A
S-1333D11-M5T1U3	1	X	B
S-1333D12-M5T1U3	1	X	C
S-1333D13-M5T1U3	1	X	D
S-1333D14-M5T1U3	1	X	E
S-1333D15-M5T1U3	1	X	F
S-1333D16-M5T1U3	1	X	G
S-1333D17-M5T1U3	1	X	H
S-1333D18-M5T1U3	1	X	J
S-1333D1J-M5T1U3	1	X	K
S-1333D19-M5T1U3	1	X	L
S-1333D20-M5T1U3	1	X	N
S-1333D21-M5T1U3	1	X	O
S-1333D22-M5T1U3	1	X	P
S-1333D23-M5T1U3	1	X	Q
S-1333D24-M5T1U3	1	X	R
S-1333D25-M5T1U3	1	X	S
S-1333D26-M5T1U3	1	X	T
S-1333D27-M5T1U3	1	X	U
S-1333D28-M5T1U3	1	X	V
S-1333D2J-M5T1U3	1	X	X
S-1333D29-M5T1U3	1	X	Y
S-1333D30-M5T1U3	1	X	Z
S-1333D31-M5T1U3	1	X	1
S-1333D32-M5T1U3	1	X	2
S-1333D33-M5T1U3	1	X	3
S-1333D34-M5T1U3	1	X	4
S-1333D35-M5T1U3	1	X	5

2. HSNT-4 (1010)



(1) to (3): Product code (Refer to **Product name vs. Product code**)
 (4), (5): Lot number

Product name vs. Product code

2.1 S-1333 Series A type

Product Name	Product Code		
	(1)	(2)	(3)
S-1333A10-A4T2U3	1	T	A
S-1333A11-A4T2U3	1	T	B
S-1333A12-A4T2U3	1	T	C
S-1333A1C-A4T2U3	1	T	6
S-1333A13-A4T2U3	1	T	D
S-1333A14-A4T2U3	1	T	E
S-1333A15-A4T2U3	1	T	F
S-1333A16-A4T2U3	1	T	G
S-1333A17-A4T2U3	1	T	H
S-1333A18-A4T2U3	1	T	J
S-1333A1J-A4T2U3	1	T	K
S-1333A19-A4T2U3	1	T	L
S-1333A20-A4T2U3	1	T	N
S-1333A21-A4T2U3	1	T	O
S-1333A22-A4T2U3	1	T	P
S-1333A23-A4T2U3	1	T	Q
S-1333A24-A4T2U3	1	T	R
S-1333A25-A4T2U3	1	T	S
S-1333A26-A4T2U3	1	T	T
S-1333A27-A4T2U3	1	T	V
S-1333A28-A4T2U3	1	T	U
S-1333A2J-A4T2U3	1	T	X
S-1333A29-A4T2U3	1	T	Y
S-1333A30-A4T2U3	1	T	Z
S-1333A31-A4T2U3	1	T	1
S-1333A32-A4T2U3	1	T	2
S-1333A33-A4T2U3	1	T	3
S-1333A34-A4T2U3	1	T	4
S-1333A35-A4T2U3	1	T	5

2.2 S-1333 Series B type

Product Name	Product Code		
	(1)	(2)	(3)
S-1333B10-A4T2U3	1	U	A
S-1333B11-A4T2U3	1	U	B
S-1333B12-A4T2U3	1	U	C
S-1333B13-A4T2U3	1	U	D
S-1333B14-A4T2U3	1	U	E
S-1333B15-A4T2U3	1	U	F
S-1333B16-A4T2U3	1	U	G
S-1333B17-A4T2U3	1	U	H
S-1333B18-A4T2U3	1	U	J
S-1333B1J-A4T2U3	1	U	K
S-1333B19-A4T2U3	1	U	L
S-1333B20-A4T2U3	1	U	N
S-1333B21-A4T2U3	1	U	O
S-1333B22-A4T2U3	1	U	P
S-1333B23-A4T2U3	1	U	Q
S-1333B24-A4T2U3	1	U	R
S-1333B25-A4T2U3	1	U	S
S-1333B26-A4T2U3	1	U	T
S-1333B27-A4T2U3	1	U	U
S-1333B28-A4T2U3	1	U	V
S-1333B2J-A4T2U3	1	U	X
S-1333B29-A4T2U3	1	U	Y
S-1333B30-A4T2U3	1	U	Z
S-1333B31-A4T2U3	1	U	1
S-1333B32-A4T2U3	1	U	2
S-1333B33-A4T2U3	1	U	3
S-1333B34-A4T2U3	1	U	4
S-1333B35-A4T2U3	1	U	5

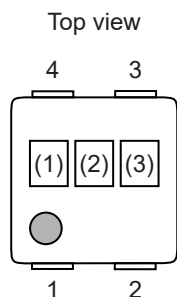
2.3 S-1333 Series C type

Product Name	Product Code		
	(1)	(2)	(3)
S-1333C10-A4T2U3	1	V	A
S-1333C11-A4T2U3	1	V	B
S-1333C12-A4T2U3	1	V	C
S-1333C13-A4T2U3	1	V	D
S-1333C14-A4T2U3	1	V	E
S-1333C15-A4T2U3	1	V	F
S-1333C16-A4T2U3	1	V	G
S-1333C17-A4T2U3	1	V	H
S-1333C18-A4T2U3	1	V	J
S-1333C1J-A4T2U3	1	V	K
S-1333C19-A4T2U3	1	V	L
S-1333C20-A4T2U3	1	V	N
S-1333C21-A4T2U3	1	V	O
S-1333C22-A4T2U3	1	V	P
S-1333C23-A4T2U3	1	V	Q
S-1333C24-A4T2U3	1	V	R
S-1333C25-A4T2U3	1	V	S
S-1333C26-A4T2U3	1	V	T
S-1333C27-A4T2U3	1	V	U
S-1333C28-A4T2U3	1	V	V
S-1333C2J-A4T2U3	1	V	X
S-1333C29-A4T2U3	1	V	Y
S-1333C30-A4T2U3	1	V	Z
S-1333C31-A4T2U3	1	V	1
S-1333C32-A4T2U3	1	V	2
S-1333C33-A4T2U3	1	V	3
S-1333C34-A4T2U3	1	V	4
S-1333C35-A4T2U3	1	V	5

2.4 S-1333 Series D type

Product Name	Product Code		
	(1)	(2)	(3)
S-1333D10-A4T2U3	1	X	A
S-1333D11-A4T2U3	1	X	B
S-1333D12-A4T2U3	1	X	C
S-1333D13-A4T2U3	1	X	D
S-1333D14-A4T2U3	1	X	E
S-1333D15-A4T2U3	1	X	F
S-1333D16-A4T2U3	1	X	G
S-1333D17-A4T2U3	1	X	H
S-1333D18-A4T2U3	1	X	J
S-1333D1J-A4T2U3	1	X	K
S-1333D19-A4T2U3	1	X	L
S-1333D20-A4T2U3	1	X	N
S-1333D21-A4T2U3	1	X	O
S-1333D22-A4T2U3	1	X	P
S-1333D23-A4T2U3	1	X	Q
S-1333D24-A4T2U3	1	X	R
S-1333D25-A4T2U3	1	X	S
S-1333D26-A4T2U3	1	X	T
S-1333D27-A4T2U3	1	X	U
S-1333D28-A4T2U3	1	X	V
S-1333D2J-A4T2U3	1	X	X
S-1333D29-A4T2U3	1	X	Y
S-1333D30-A4T2U3	1	X	Z
S-1333D31-A4T2U3	1	X	1
S-1333D32-A4T2U3	1	X	2
S-1333D33-A4T2U3	1	X	3
S-1333D34-A4T2U3	1	X	4
S-1333D35-A4T2U3	1	X	5

3. HSNT-4 (0808)



(1) to (3): Product code (Refer to **Product name vs. Product code**)

Product name vs. Product code

3.1 S-1333 Series A type

Product Name	Product Code		
	(1)	(2)	(3)
S-1333A10-A4T1U3	1	T	A
S-1333A11-A4T1U3	1	T	B
S-1333A12-A4T1U3	1	T	C
S-1333A1C-A4T1U3	1	T	6
S-1333A13-A4T1U3	1	T	D
S-1333A14-A4T1U3	1	T	E
S-1333A15-A4T1U3	1	T	F
S-1333A16-A4T1U3	1	T	G
S-1333A17-A4T1U3	1	T	H
S-1333A18-A4T1U3	1	T	J
S-1333A1J-A4T1U3	1	T	K
S-1333A19-A4T1U3	1	T	L
S-1333A20-A4T1U3	1	T	N
S-1333A21-A4T1U3	1	T	O
S-1333A22-A4T1U3	1	T	P
S-1333A23-A4T1U3	1	T	Q
S-1333A24-A4T1U3	1	T	R
S-1333A25-A4T1U3	1	T	S
S-1333A26-A4T1U3	1	T	T
S-1333A27-A4T1U3	1	T	V
S-1333A28-A4T1U3	1	T	U
S-1333A2J-A4T1U3	1	T	X
S-1333A29-A4T1U3	1	T	Y
S-1333A30-A4T1U3	1	T	Z
S-1333A31-A4T1U3	1	T	1
S-1333A32-A4T1U3	1	T	2
S-1333A33-A4T1U3	1	T	3
S-1333A34-A4T1U3	1	T	4
S-1333A35-A4T1U3	1	T	5

3.2 S-1333 Series B type

Product Name	Product Code		
	(1)	(2)	(3)
S-1333B10-A4T1U3	1	U	A
S-1333B11-A4T1U3	1	U	B
S-1333B12-A4T1U3	1	U	C
S-1333B13-A4T1U3	1	U	D
S-1333B14-A4T1U3	1	U	E
S-1333B15-A4T1U3	1	U	F
S-1333B16-A4T1U3	1	U	G
S-1333B17-A4T1U3	1	U	H
S-1333B18-A4T1U3	1	U	J
S-1333B1J-A4T1U3	1	U	K
S-1333B19-A4T1U3	1	U	L
S-1333B20-A4T1U3	1	U	N
S-1333B21-A4T1U3	1	U	O
S-1333B22-A4T1U3	1	U	P
S-1333B23-A4T1U3	1	U	Q
S-1333B24-A4T1U3	1	U	R
S-1333B25-A4T1U3	1	U	S
S-1333B26-A4T1U3	1	U	T
S-1333B27-A4T1U3	1	U	U
S-1333B28-A4T1U3	1	U	V
S-1333B2J-A4T1U3	1	U	X
S-1333B29-A4T1U3	1	U	Y
S-1333B30-A4T1U3	1	U	Z
S-1333B31-A4T1U3	1	U	1
S-1333B32-A4T1U3	1	U	2
S-1333B33-A4T1U3	1	U	3
S-1333B34-A4T1U3	1	U	4
S-1333B35-A4T1U3	1	U	5

3.3 S-1333 Series C type

Product Name	Product Code		
	(1)	(2)	(3)
S-1333C10-A4T1U3	1	V	A
S-1333C11-A4T1U3	1	V	B
S-1333C12-A4T1U3	1	V	C
S-1333C13-A4T1U3	1	V	D
S-1333C14-A4T1U3	1	V	E
S-1333C15-A4T1U3	1	V	F
S-1333C16-A4T1U3	1	V	G
S-1333C17-A4T1U3	1	V	H
S-1333C18-A4T1U3	1	V	J
S-1333C1J-A4T1U3	1	V	K
S-1333C19-A4T1U3	1	V	L
S-1333C20-A4T1U3	1	V	N
S-1333C21-A4T1U3	1	V	O
S-1333C22-A4T1U3	1	V	P
S-1333C23-A4T1U3	1	V	Q
S-1333C24-A4T1U3	1	V	R
S-1333C25-A4T1U3	1	V	S
S-1333C26-A4T1U3	1	V	T
S-1333C27-A4T1U3	1	V	U
S-1333C28-A4T1U3	1	V	V
S-1333C2J-A4T1U3	1	V	X
S-1333C29-A4T1U3	1	V	Y
S-1333C30-A4T1U3	1	V	Z
S-1333C31-A4T1U3	1	V	1
S-1333C32-A4T1U3	1	V	2
S-1333C33-A4T1U3	1	V	3
S-1333C34-A4T1U3	1	V	4
S-1333C35-A4T1U3	1	V	5

3.4 S-1333 Series D type

Product Name	Product Code		
	(1)	(2)	(3)
S-1333D10-A4T1U3	1	X	A
S-1333D11-A4T1U3	1	X	B
S-1333D12-A4T1U3	1	X	C
S-1333D13-A4T1U3	1	X	D
S-1333D14-A4T1U3	1	X	E
S-1333D15-A4T1U3	1	X	F
S-1333D16-A4T1U3	1	X	G
S-1333D17-A4T1U3	1	X	H
S-1333D18-A4T1U3	1	X	J
S-1333D1J-A4T1U3	1	X	K
S-1333D19-A4T1U3	1	X	L
S-1333D20-A4T1U3	1	X	N
S-1333D21-A4T1U3	1	X	O
S-1333D22-A4T1U3	1	X	P
S-1333D23-A4T1U3	1	X	Q
S-1333D24-A4T1U3	1	X	R
S-1333D25-A4T1U3	1	X	S
S-1333D26-A4T1U3	1	X	T
S-1333D27-A4T1U3	1	X	U
S-1333D28-A4T1U3	1	X	V
S-1333D2J-A4T1U3	1	X	X
S-1333D29-A4T1U3	1	X	Y
S-1333D30-A4T1U3	1	X	Z
S-1333D31-A4T1U3	1	X	1
S-1333D32-A4T1U3	1	X	2
S-1333D33-A4T1U3	1	X	3
S-1333D34-A4T1U3	1	X	4
S-1333D35-A4T1U3	1	X	5



No. MP005-A-P-SD-1.3

TITLE	SOT235-A-PKG Dimensions
No.	MP005-A-P-SD-1.3
ANGLE	
UNIT	mm
ABLIC Inc.	



→ Feed direction

No. MP005-A-C-SD-2.1

TITLE	SOT235-A-Carrier Tape
No.	MP005-A-C-SD-2.1
ANGLE	
UNIT	mm
ABLIC Inc.	

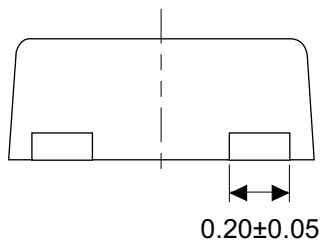
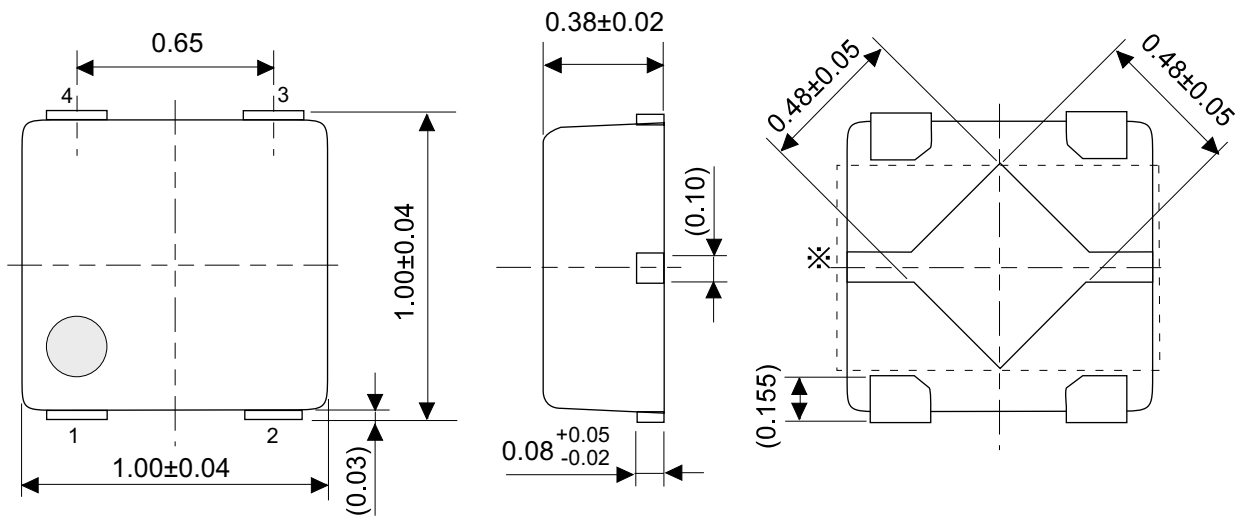


Enlarged drawing in the central part



No. MP005-A-R-SD-1.1

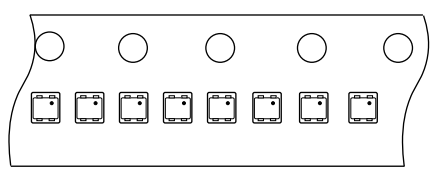
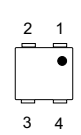
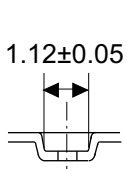
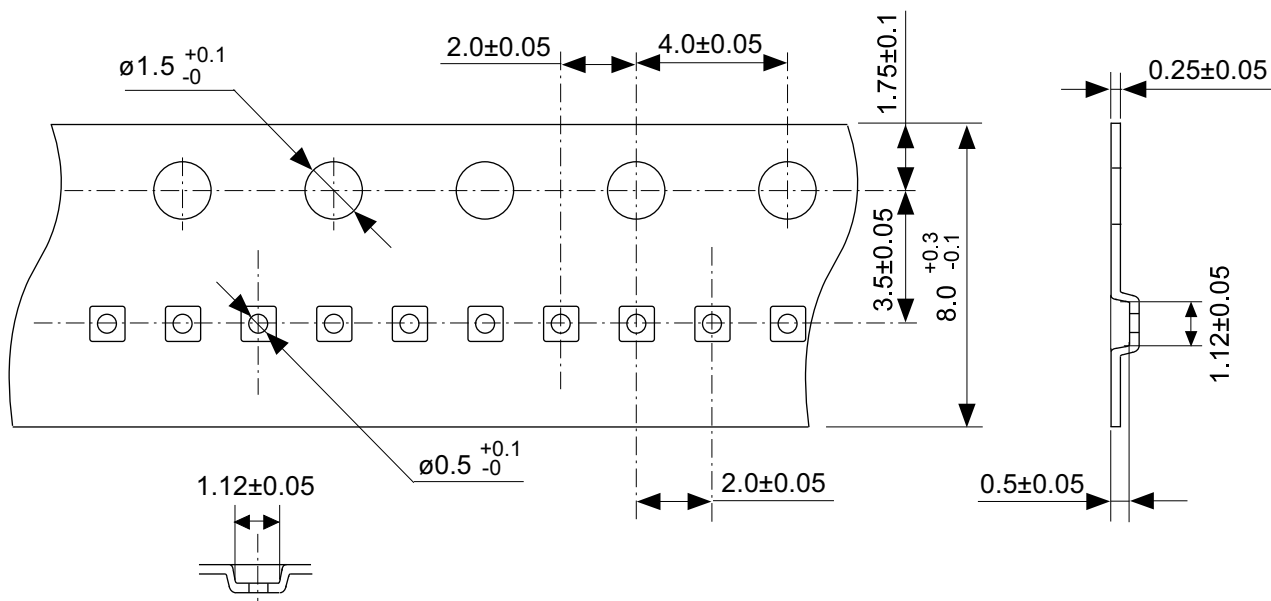
TITLE	SOT235-A-Reel		
No.	MP005-A-R-SD-1.1		
ANGLE		QTY.	3,000
UNIT	mm		
ABLIC Inc.			



※ The heat sink of back side has different electric potential depending on the product.
 Confirm specifications of each product.
 Do not use it as the function of electrode.

No. PL004-A-P-SD-1.1

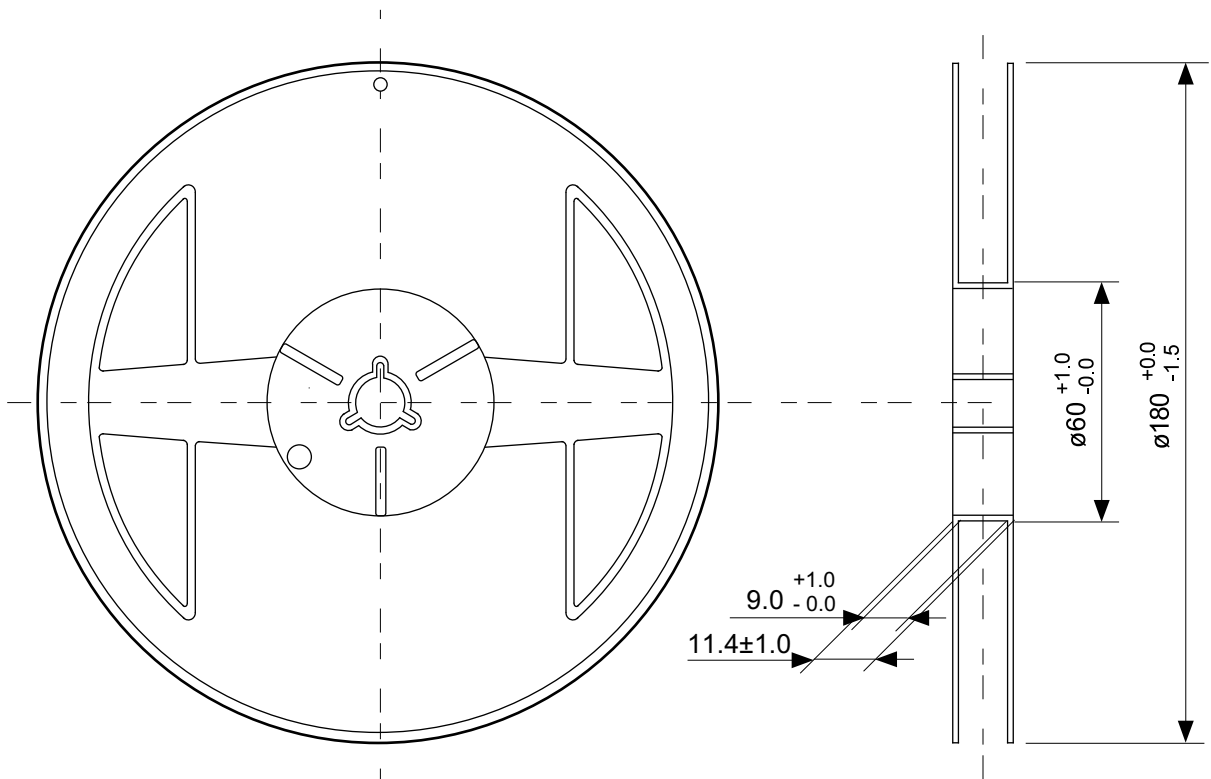
TITLE	HSNT-4-B-PKG Dimensions
No.	PL004-A-P-SD-1.1
ANGLE	
UNIT	mm
ABLIC Inc.	



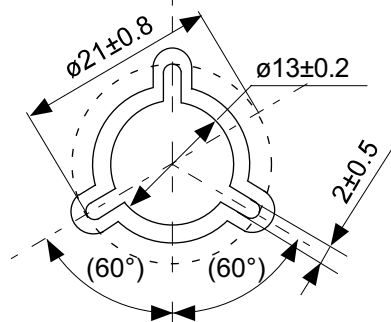
→
Feed direction

No. PL004-A-C-SD-2.0

TITLE	HSNT-4-B-Carrier Tape
No.	PL004-A-C-SD-2.0
ANGLE	
UNIT	mm
ABLIC Inc.	



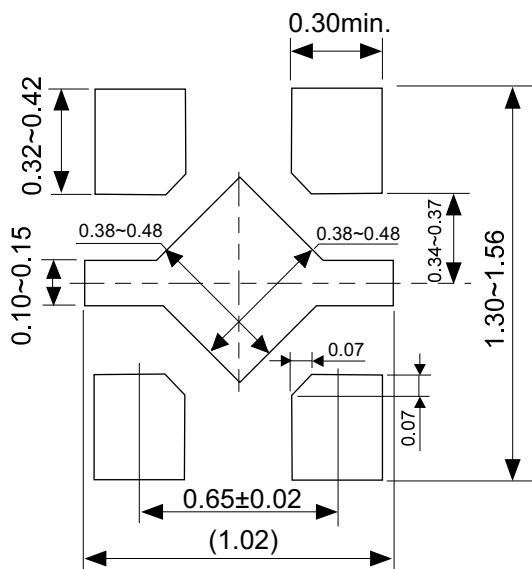
Enlarged drawing in the central part



No. PL004-A-R-SD-1.0

TITLE	HSNT-4-B-Reel		
No.	PL004-A-R-SD-1.0		
ANGLE		QTY.	10,000
UNIT	mm		
ABLIC Inc.			

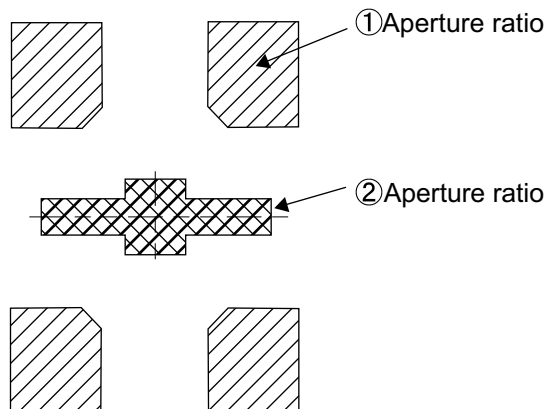
Land Pattern



Caution It is recommended to solder the heat sink to a board in order to ensure the heat radiation.

注意 放熱性を確保する為に、PKGの裏面放熱板(ヒートシンク)を基板に半田付けする事を推奨いたします。

Metal Mask Pattern

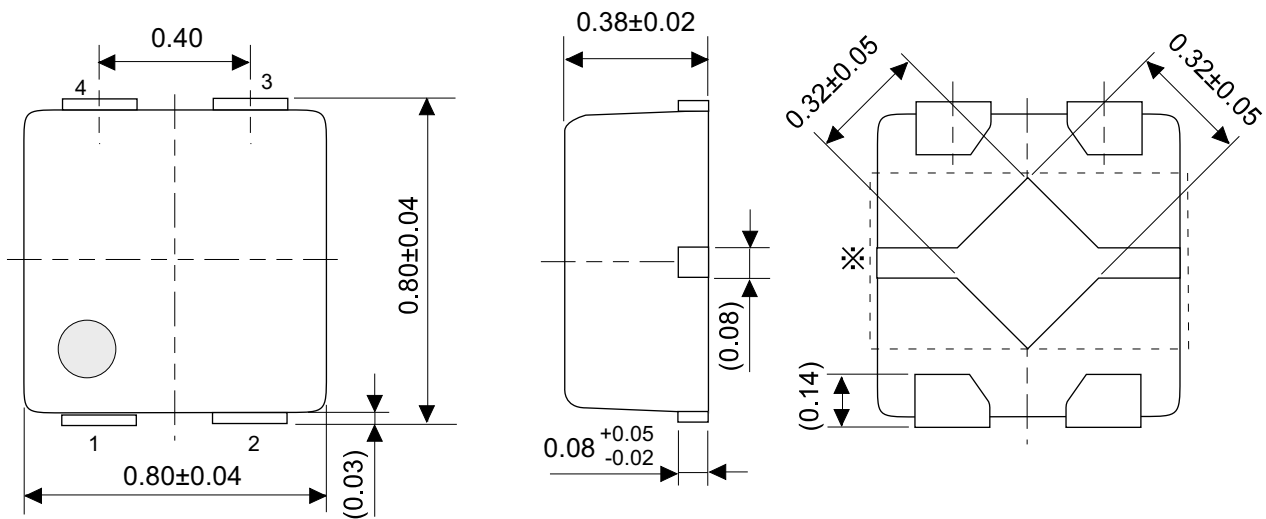


- Caution
- ① Mask aperture ratio of the lead mounting part is 100%.
 - ② Mask aperture ratio of the heat sink mounting part is 40%.
 - ③ Mask thickness: t0.10mm to 0.12 mm

- 注意
- ①リード実装部のマスク開口率は100%です。
 - ②放熱板実装のマスク開口率は40%です。
 - ③マスク厚み : t0.10mm ~ 0.12 mm

No. PL004-A-L-SD-2.0

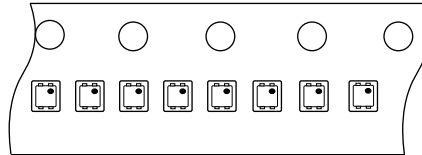
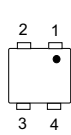
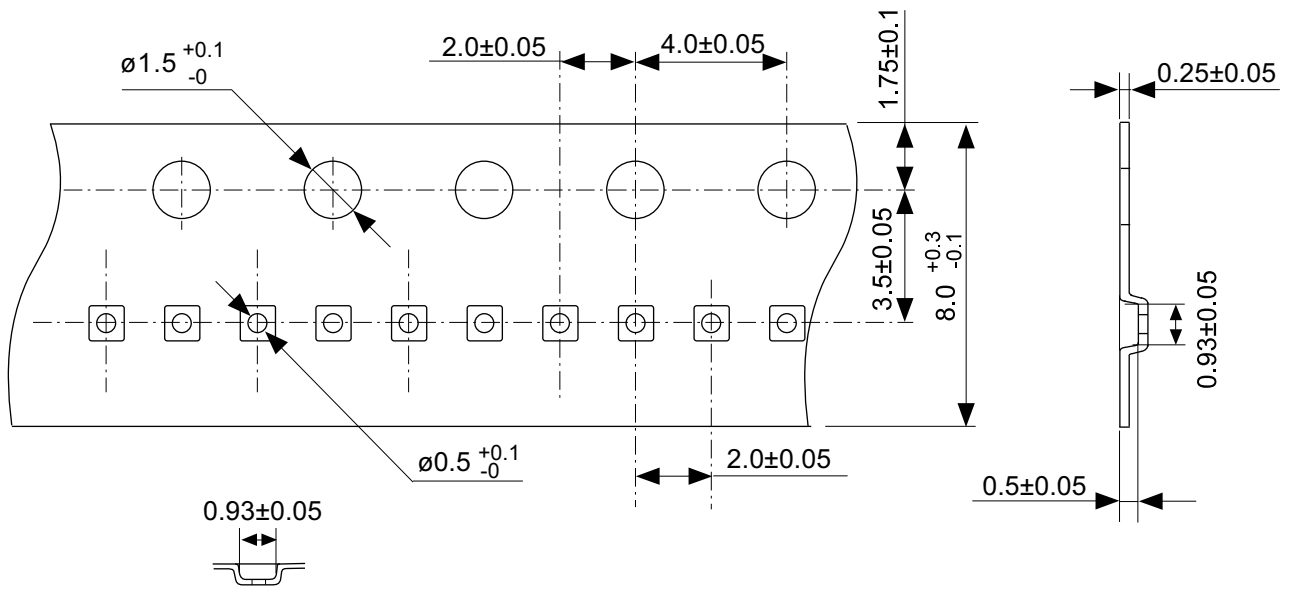
TITLE	HSNT-4-B -Land Recommendation
No.	PL004-A-L-SD-2.0
ANGLE	
UNIT	mm
ABLIC Inc.	



※ The heat sink of back side has different electric potential depending on the product.
 Confirm specifications of each product.
 Do not use it as the function of electrode.

No. PK004-A-P-SD-2.1

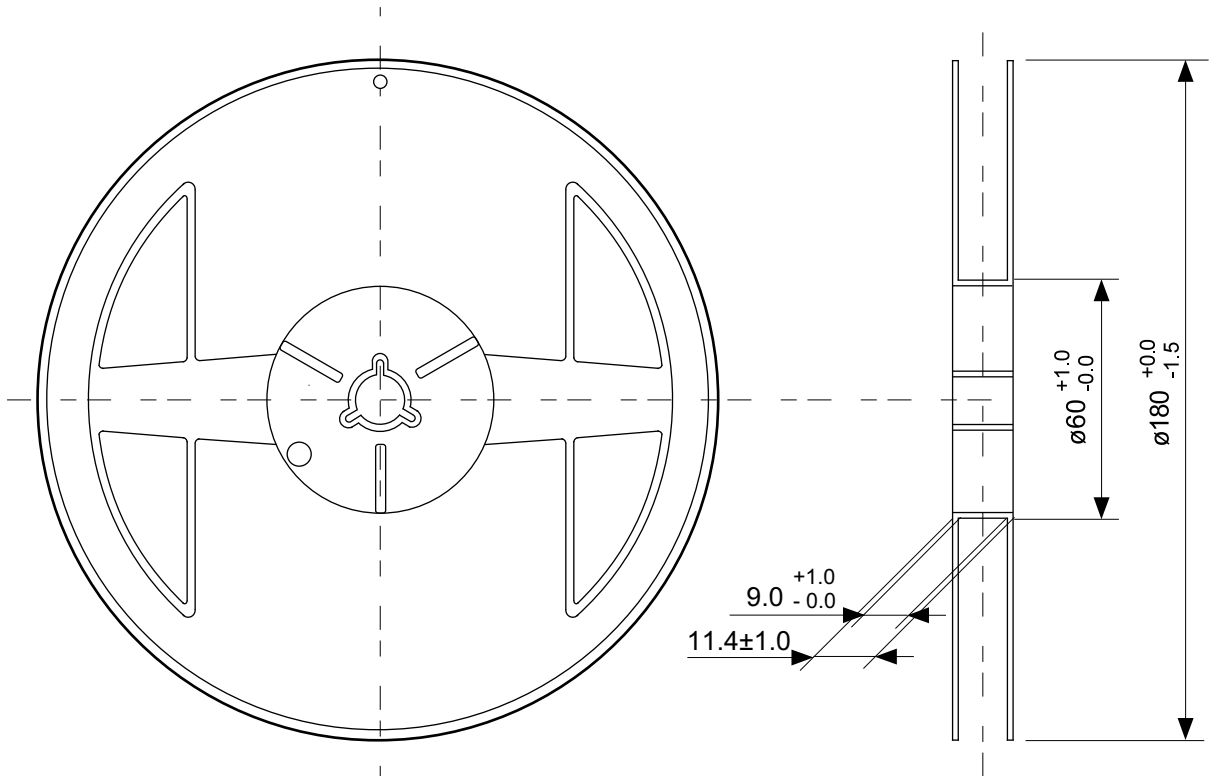
TITLE	HSNT-4-A-PKG Dimensions
No.	PK004-A-P-SD-2.1
ANGLE	
UNIT	mm
ABLIC Inc.	



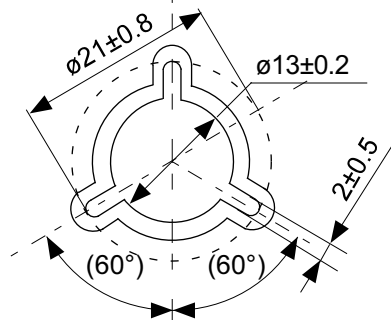
→
Feed direction

No. PK004-A-C-SD-3.0

TITLE	HSNT-4-A-Carrier Tape
No.	PK004-A-C-SD-3.0
ANGLE	
UNIT	mm
ABLIC Inc.	



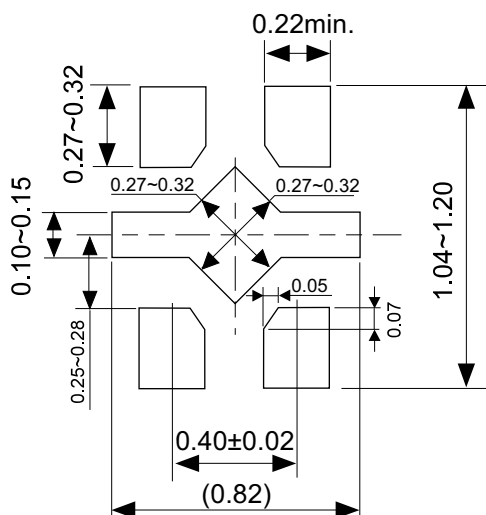
Enlarged drawing in the central part



No. PK004-A-R-SD-2.0

TITLE	HSNT-4-A-Reel		
No.	PK004-A-R-SD-2.0		
ANGLE		QTY.	10,000
UNIT	mm		
ABLIC Inc.			

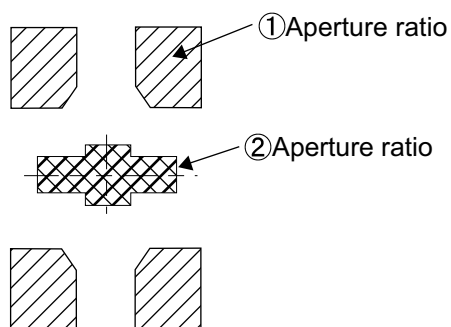
Land Pattern



Caution It is recommended to solder the heat sink to a board in order to ensure the heat radiation.

注意 放熱性を確保する為に、PKGの裏面放熱板(ヒートシンク)を基板に半田付けする事を推奨いたします。

Metal Mask Pattern



Caution ① Mask aperture ratio of the lead mounting part is 100%.
 ② Mask aperture ratio of the heat sink mounting part is 40%.
 ③ Mask thickness: t0.10mm to 0.12 mm

注意 ①リード実装部のマスク開口率は100%です。
 ②放熱板実装のマスク開口率は40%です。
 ③マスク厚み : t0.10mm ~ 0.12 mm

No. PK004-A-L-SD-3.0

TITLE	HSNT-4-A -Land Recommendation
No.	PK004-A-L-SD-3.0
ANGLE	
UNIT	mm
ABLIC Inc.	

Disclaimers (Handling Precautions)

1. All the information described herein (product data, specifications, figures, tables, programs, algorithms and application circuit examples, etc.) is current as of publishing date of this document and is subject to change without notice.
2. The circuit examples and the usages described herein are for reference only, and do not guarantee the success of any specific mass-production design.
ABLIC Inc. is not liable for any losses, damages, claims or demands caused by the reasons other than the products described herein (hereinafter "the products") or infringement of third-party intellectual property right and any other right due to the use of the information described herein.
3. ABLIC Inc. is not liable for any losses, damages, claims or demands caused by the incorrect information described herein.
4. Be careful to use the products within their ranges described herein. Pay special attention for use to the absolute maximum ratings, operation voltage range and electrical characteristics, etc.
ABLIC Inc. is not liable for any losses, damages, claims or demands caused by failures and / or accidents, etc. due to the use of the products outside their specified ranges.
5. Before using the products, confirm their applications, and the laws and regulations of the region or country where they are used and verify suitability, safety and other factors for the intended use.
6. When exporting the products, comply with the Foreign Exchange and Foreign Trade Act and all other export-related laws, and follow the required procedures.
7. The products are strictly prohibited from using, providing or exporting for the purposes of the development of weapons of mass destruction or military use. ABLIC Inc. is not liable for any losses, damages, claims or demands caused by any provision or export to the person or entity who intends to develop, manufacture, use or store nuclear, biological or chemical weapons or missiles, or use any other military purposes.
8. The products are not designed to be used as part of any device or equipment that may affect the human body, human life, or assets (such as medical equipment, disaster prevention systems, security systems, combustion control systems, infrastructure control systems, vehicle equipment, traffic systems, in-vehicle equipment, aviation equipment, aerospace equipment, and nuclear-related equipment), excluding when specified for in-vehicle use or other uses by ABLIC, Inc. Do not apply the products to the above listed devices and equipments.
ABLIC Inc. is not liable for any losses, damages, claims or demands caused by unauthorized or unspecified use of the products.
9. In general, semiconductor products may fail or malfunction with some probability. The user of the products should therefore take responsibility to give thorough consideration to safety design including redundancy, fire spread prevention measures, and malfunction prevention to prevent accidents causing injury or death, fires and social damage, etc. that may ensue from the products' failure or malfunction.
The entire system in which the products are used must be sufficiently evaluated and judged whether the products are allowed to apply for the system on customer's own responsibility.
10. The products are not designed to be radiation-proof. The necessary radiation measures should be taken in the product design by the customer depending on the intended use.
11. The products do not affect human health under normal use. However, they contain chemical substances and heavy metals and should therefore not be put in the mouth. The fracture surfaces of wafers and chips may be sharp. Be careful when handling these with the bare hands to prevent injuries, etc.
12. When disposing of the products, comply with the laws and ordinances of the country or region where they are used.
13. The information described herein contains copyright information and know-how of ABLIC Inc. The information described herein does not convey any license under any intellectual property rights or any other rights belonging to ABLIC Inc. or a third party. Reproduction or copying of the information from this document or any part of this document described herein for the purpose of disclosing it to a third-party is strictly prohibited without the express permission of ABLIC Inc.
14. For more details on the information described herein or any other questions, please contact ABLIC Inc.'s sales representative.
15. This Disclaimers have been delivered in a text using the Japanese language, which text, despite any translations into the English language and the Chinese language, shall be controlling.

2.4-2019.07