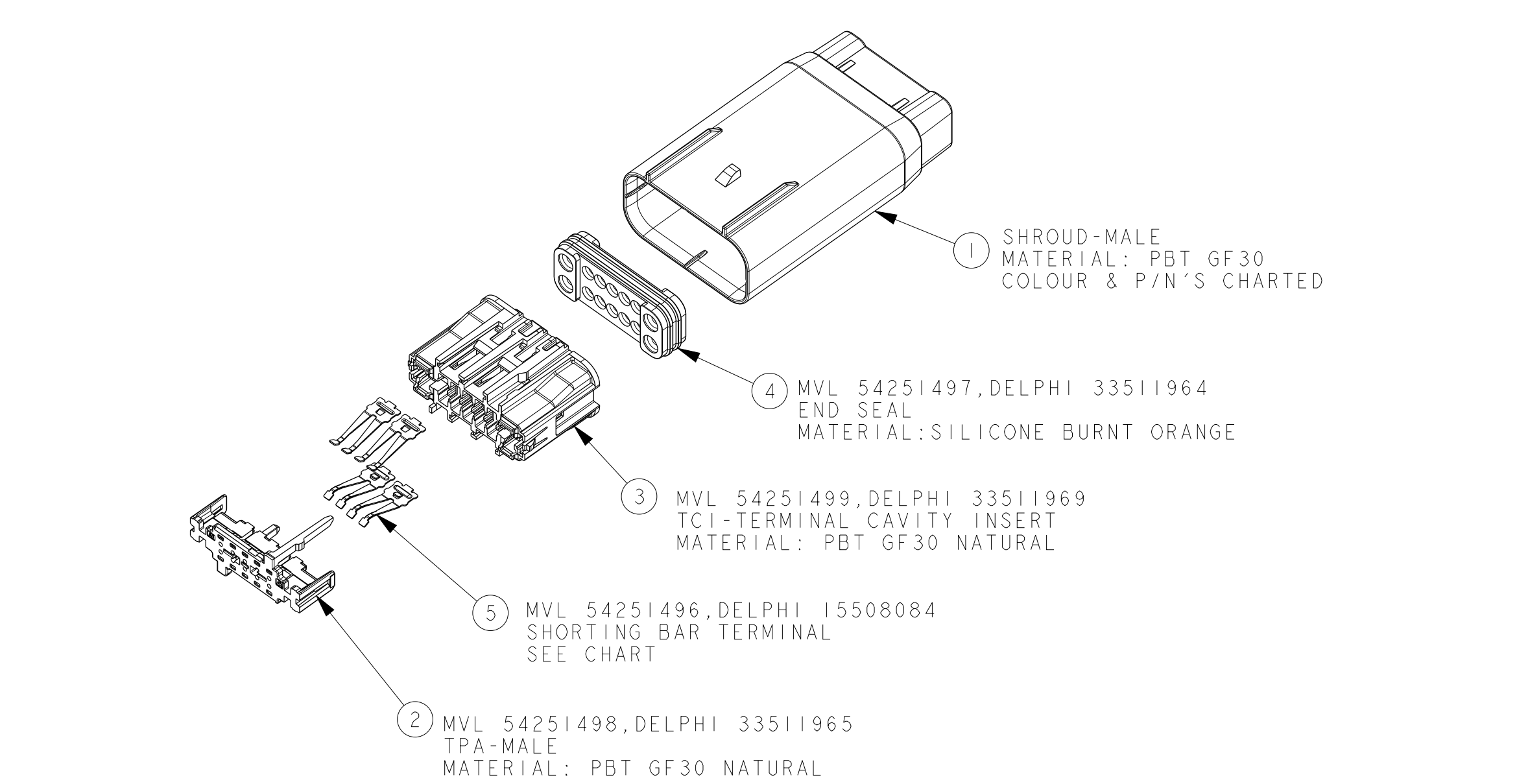


	ASSEMBLY PART NUMBERS				KEY TYPE	COLOR	CLIP SLOT TYPE	COMPONENTS				Plugged (X) Seal Positions				Circuit Totals	Notes With Assembly (Reference only)																											
								HOUSING		SHORTING BAR		SB*	1.5	2.8	T		MVL	DELPHI	MVL	DELPHI	MVL	DELPHI																						
	MVL	DELPHI	MVL	DELPHI				1	2	3	4					5	6	7	8	9	10	11	12	13	14																			
R	54251400	D	13694022	01	A	BLACK																																						

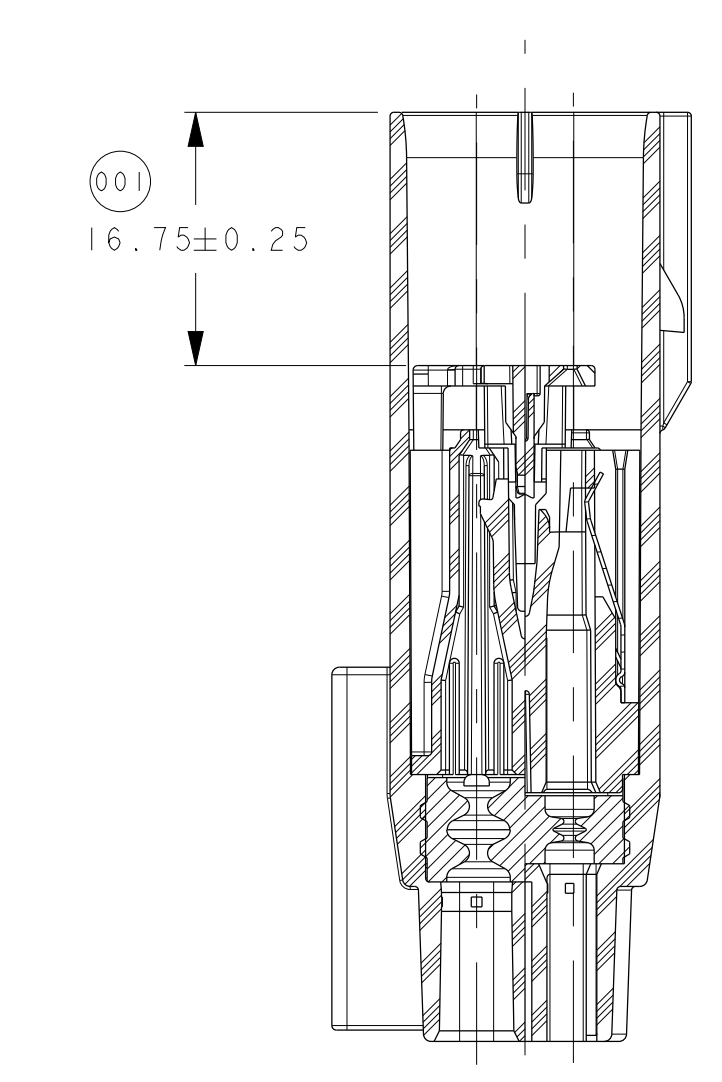
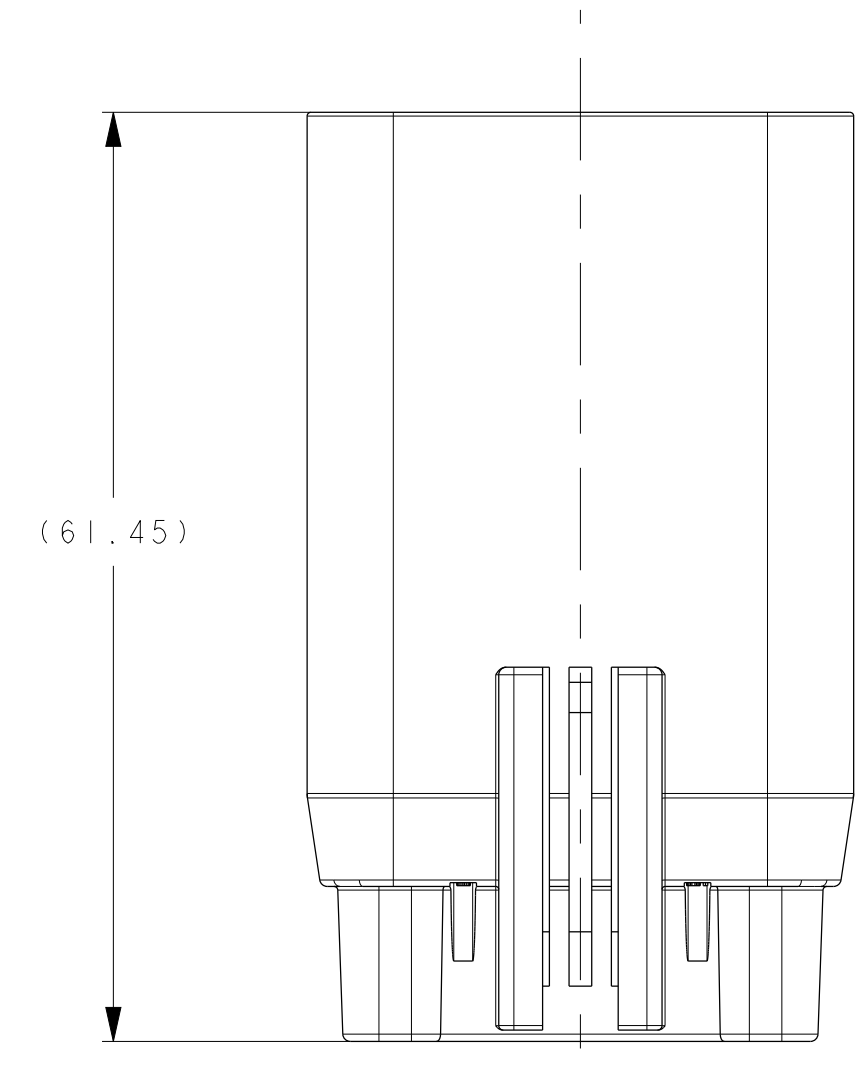
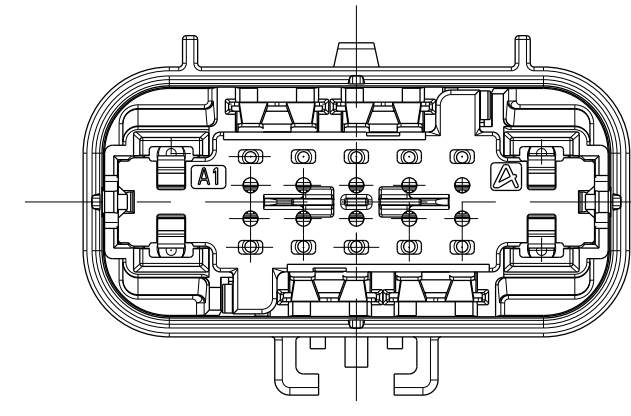
	ASSEMBLY PART NUMBERS				KEY TYPE	COLOR	CLIP SLOT TYPE	COMPONENTS				Plugged (X) Seal Positions				Circuit Totals	Notes With Assembly (Reference only)																									
								HOUSING		SHORTING BAR		SB*	1.5	2.8	T		MVL	DELPHI	MVL	DELPHI	MVL	DELPHI																				
	MVL	DELPHI	MVL	DELPHI				1	2	3	4					5	6	7	8	9	10	11	12	13	14																	
R	F871310	W	33511695	01	A	BLACK																																				



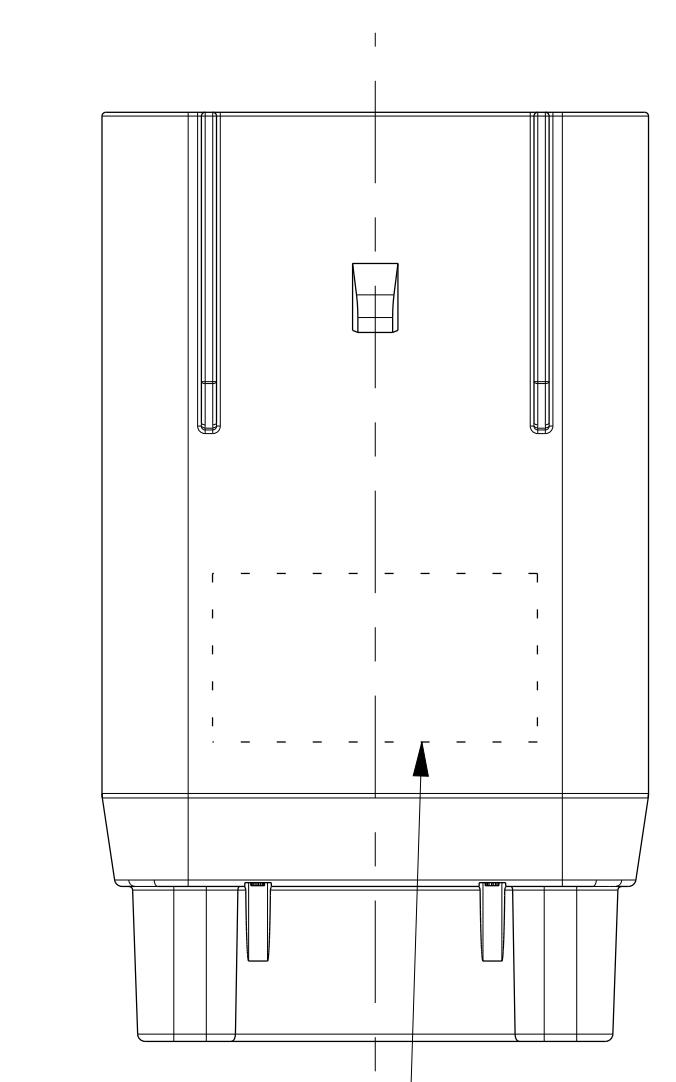
ACTUAL SIZE VIEWS NOTE: ONE EACH OF FOLLOWING REQUIRED

- ① TPA MVL 54251498, DELPHI 33511965
- ② TCI MVL 54251499, DELPHI 33511969
- ③ END SEAL MVL 54251497, DELPHI 33511964

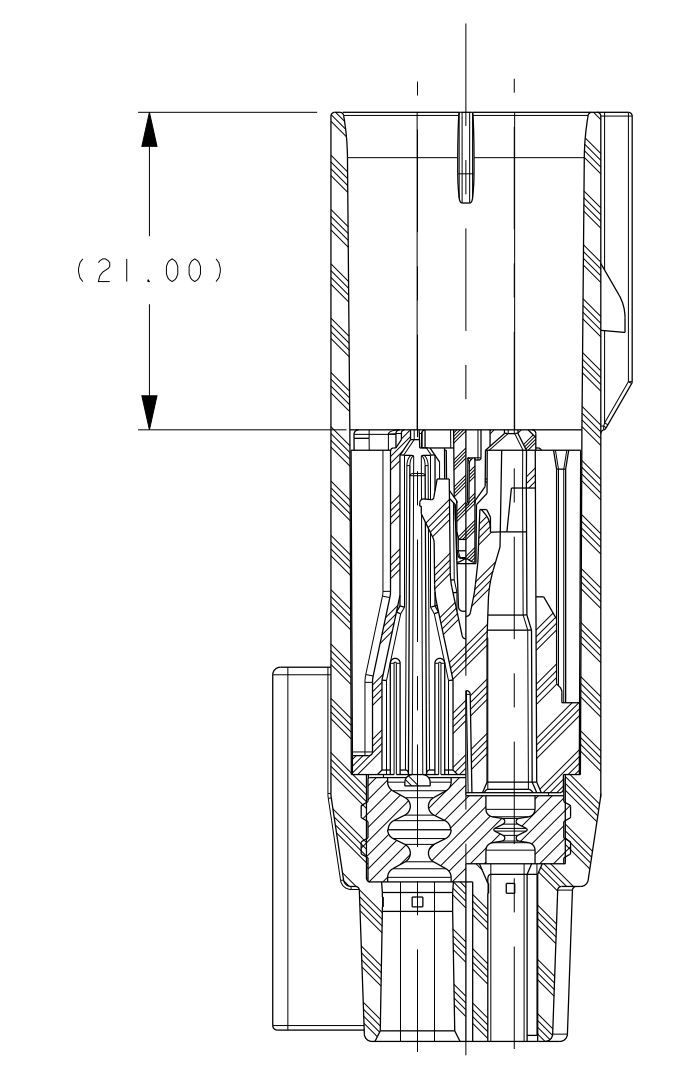
13-00680	-	ECO 423170 - DELPHI PART NUMBERS ADDED FOR WPL PARTS WITH REV LEVELS, CHARTS & NOTES UPDATED	
12-01636	0-2	TYPING ERROR CORRECTED PIN'S 54251497, 54251498 & 54251499 WERE 54241497, 54241498 & 54241499 RESPECTIVELY	
12-01466	CHART	ADDED PIN'S 33400105, 33400106 & 33400107 FOR PARTS WITH ALL CIRCUITS PLUGGED FOR CAPPING APPLICATIONS. CHART REVISED COMMON ITEMS REMOVED FROM CHART, AND NOTED IN EXPLODED VIEWS & APPLICABLE COMPONENTS CHART	
12-00700	CHART	ADDED NEW PART NUMBERS (PINOUTS)	
12-00378	CHART	ADDED NEW PART NUMBERS (PINOUTS)	
12-00286	CHART	ADDED NEW PART NUMBERS (PINOUTS)	
11-00386	ALL	INTEGRATED TO PDS, REBROWN, NOTE #3 UPDATED TO INCLUDE METRIC WIRE, ADDED NEW PIN'S	
ENR-NO.	ZONE	CHANGE DESCRIPTION	
PROJECT SPEC	PACKAGING SPEC	APPLICATION SPEC	COPYRIGHT DELPHI CORPORATION AND/OR ITS AFFILIATES. ALL RIGHTS RESERVED. REVISED THIS CHARTING IS THE PROPERTY OF DELPHI CORPORATION AND CONTAINS DELPHI CONFIDENTIAL INFORMATION. THE PRODUCTION, DISTRIBUTION AND UTILIZATION OF THIS DOCUMENT BY ITS RECIPIENTS AND/OR OTHERS IS STRICTLY PROHIBITED WITHOUT THE EXPRESS WRITTEN CONSENT OF DELPHI.
APR 150			
REVISIONS	SEE DRAWING		
DO NOT REUSE DRAWING	DATE	NAME	TITLE
DESIGNED BY	DATE	NAME	TITLE
APPROVED BY	DATE	NAME	TITLE
FILE NAME	K53001	ASSEMBLY 14 WAY HYBRID MALE	APR 150
DRAWING NUMBER	K53001	APR 150	STATE
SHEET	1		
PAGE	1		
DELPHI TAXI NUMBER 13886841			See Table



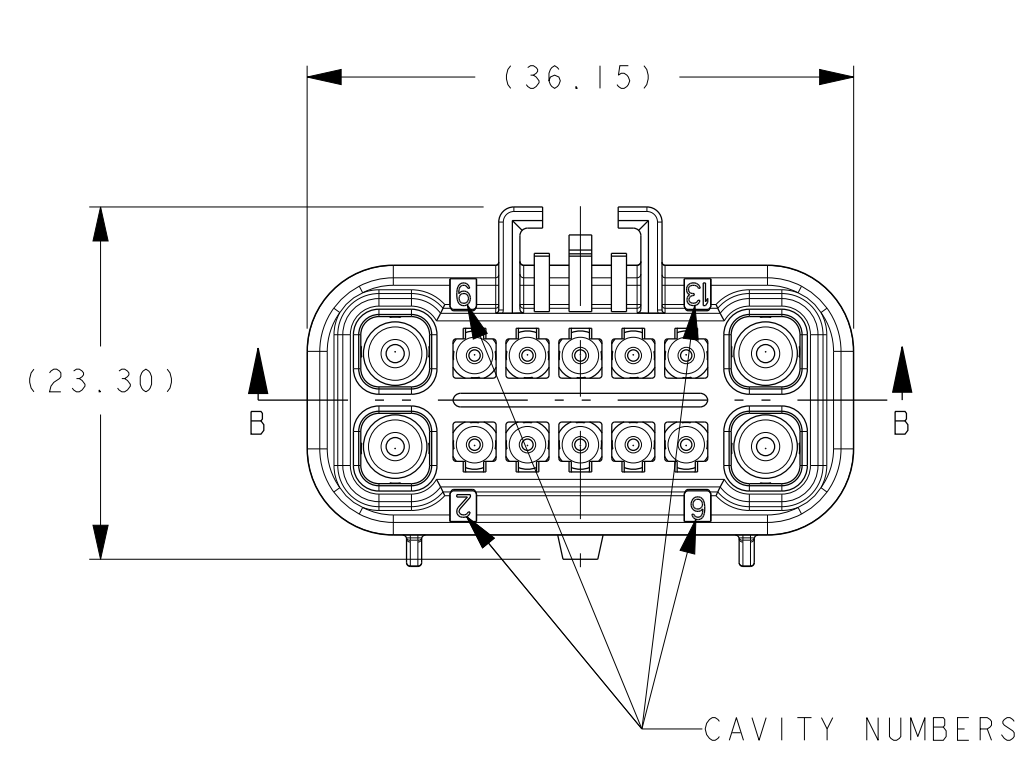
SECTION A-A
TPA IN PRE-LOCK POSITION



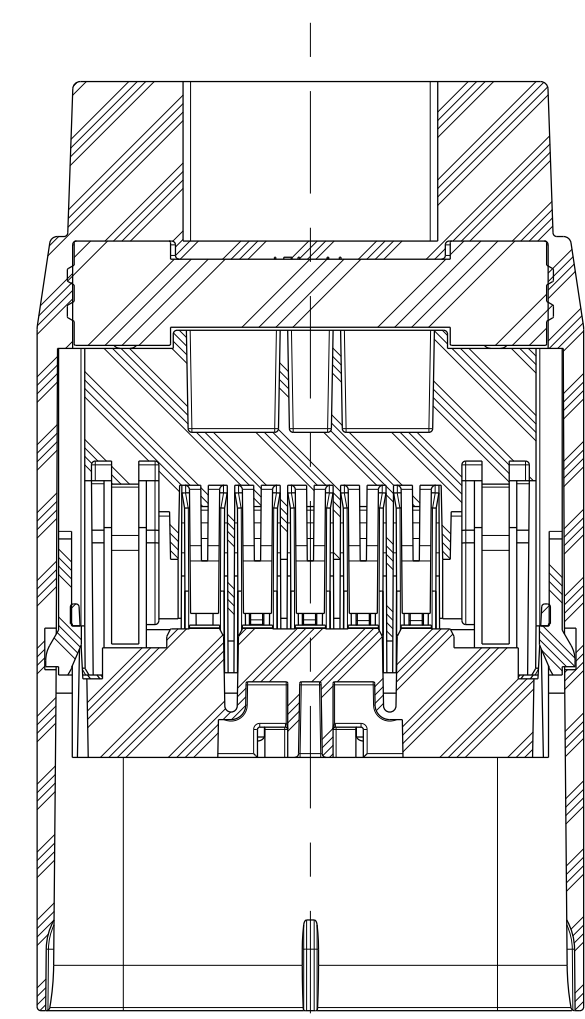
ASSEMBLY NUMBER
DATE CODE
THIS AREA



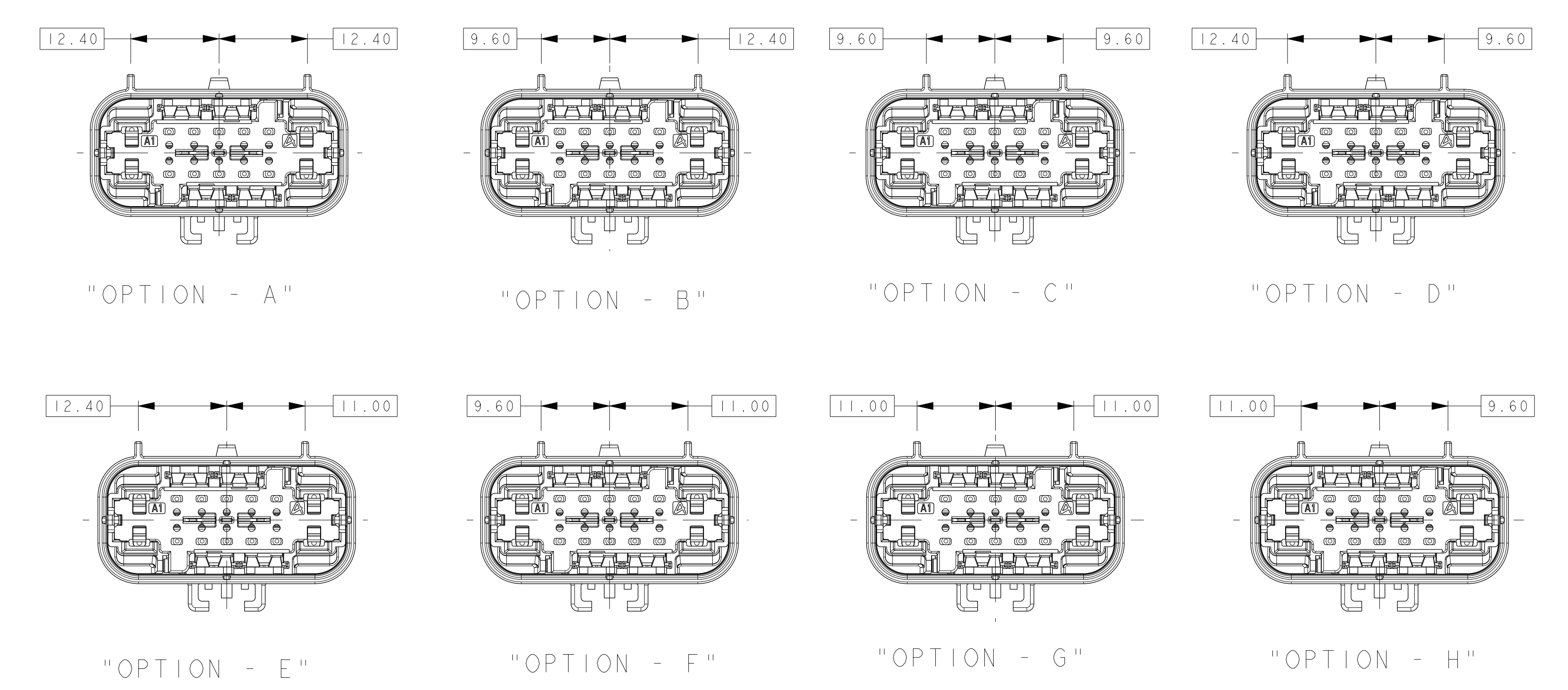
SECTION A-A
SCALE 2.000
TPA IN FINAL POSITION



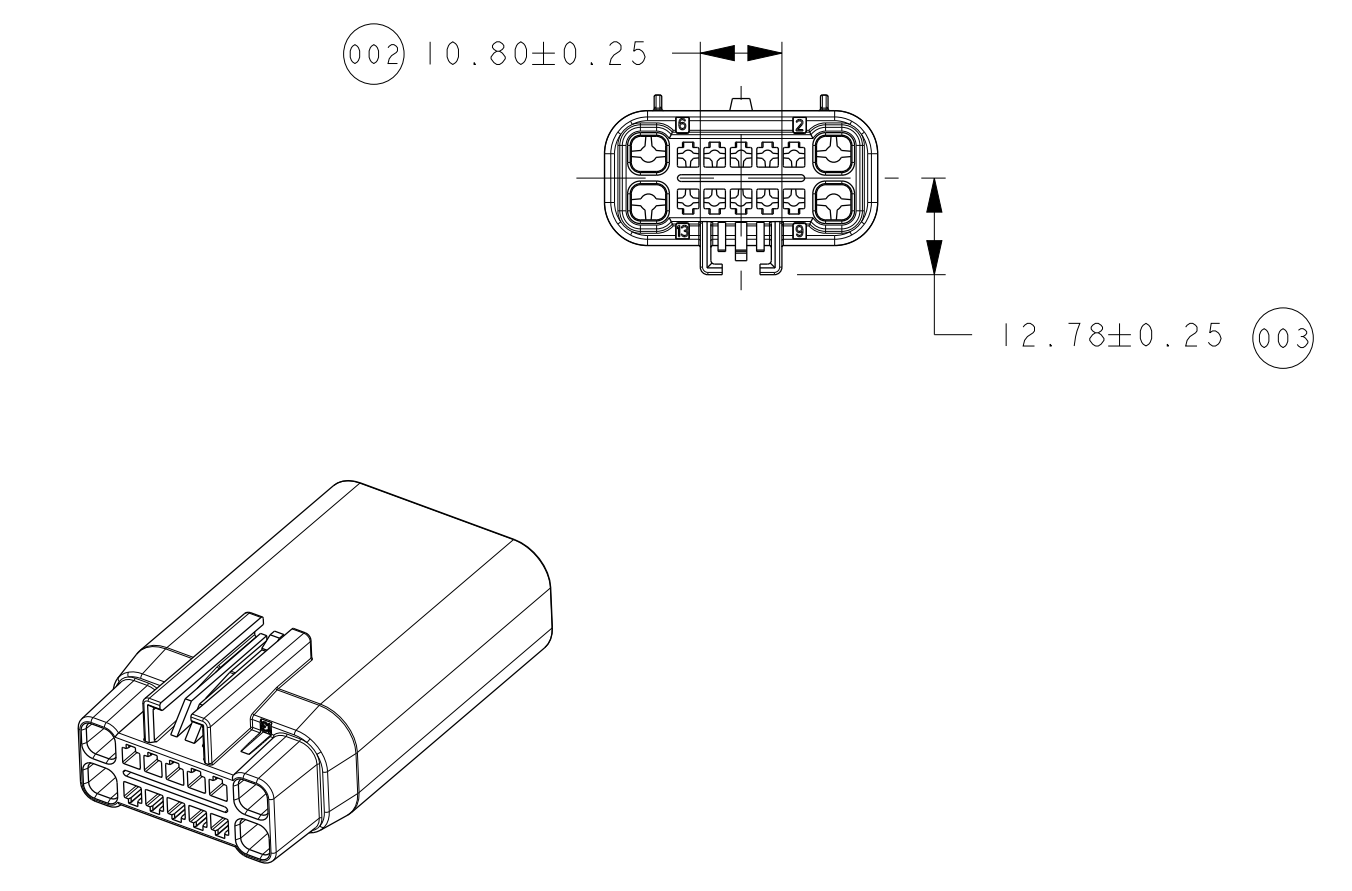
CAVITY NUMBERS



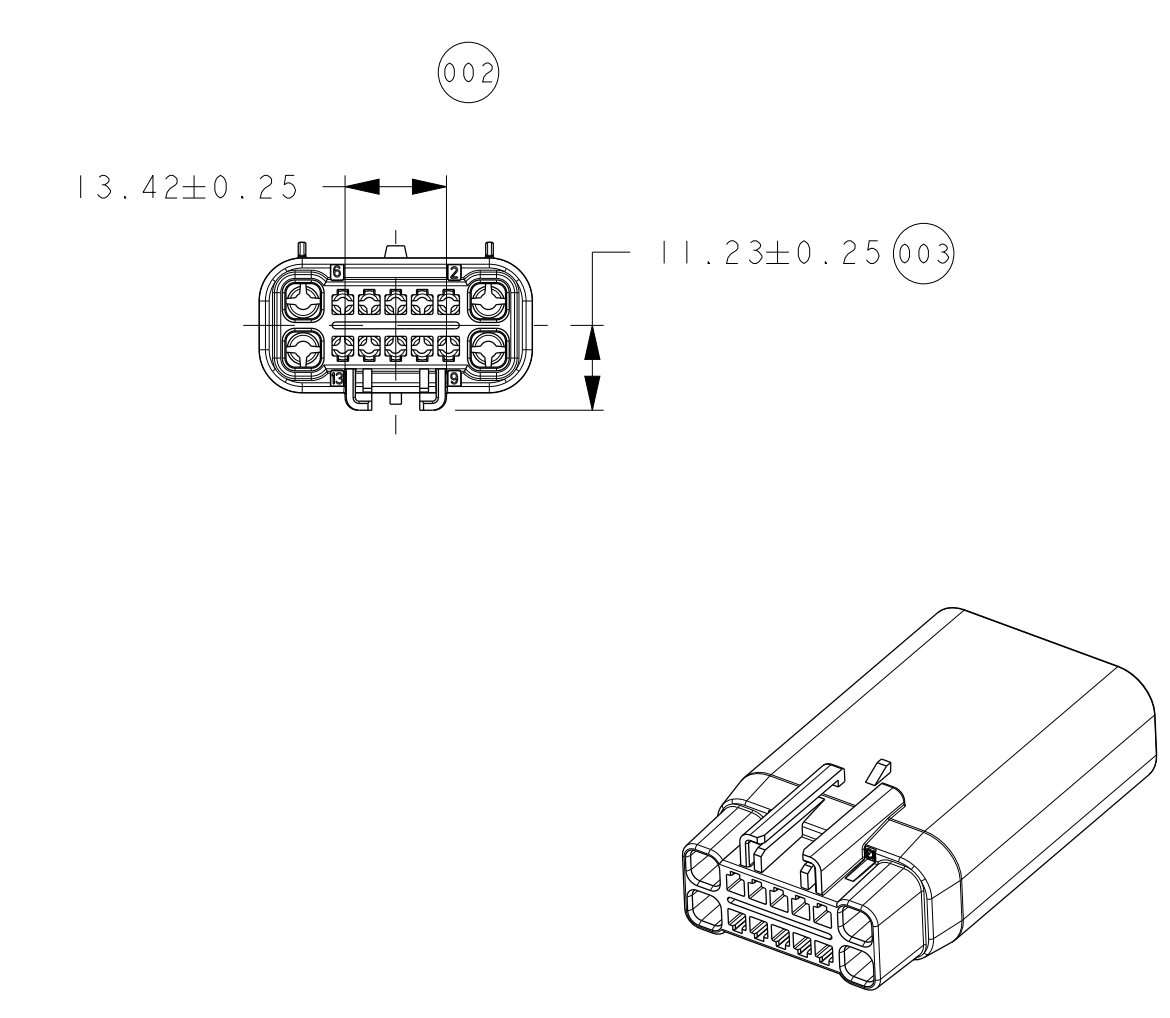
SECTION B-B



POLARIZATION OPTIONS



CLIP SLOT TYPE - 1



CLIP SLOT TYPE - 2

ACTUAL SIZE VIEWS

APPLICABLE COMPONENTS				
SUPPLIER		ITEM DESCRIPTION	PLATING	GRIP SIZE
MVL	DELPHI			
54001626	13630404	APEX 150 TERMINAL	TIN	16, 18
54002001	13624759	APEX 150 TERMINAL	TIN	20, 22
54001628	15520260	APEX 150 TERMINAL	GOLD	16, 18
54002003	15520262	APEX 150 TERMINAL	GOLD	20, 22
54001629	15520261	APEX 150 TERMINAL-FOR SHORTING BAR	GOLD	16, 18
54002004	33500641	APEX 150 TERMINAL-FOR SHORTING BAR	GOLD	20, 22
54001001	10762774	APEX 2.8 TERMINAL	TIN	12
54001401	10757692	APEX 2.8 TERMINAL	TIN	14, 16
54001801	10762775	APEX 2.8 TERMINAL	TIN	18
54240003	13765188	APEX 150 2.8mm SEAL PLUG - MALE	-	-
54241629	13613164	APEX 150 UNIVERSAL SEAL PLUG	-	-
54200010	13768145	DBL X-MASTREE CLIP W/FORWARD STOP (FOR TYPE 1 CLIPSLOT ONLY)	-	-

COMMON PART NUMBER CHART ONE EACH INCLUDED IN ASSEMBLY				
ITEM	PART NUMBERS		DESCRIPTION	MATERIAL
	MVL	DELPHI		
2	54251498	33511965	TPA	PBT GF30
3	54251499	33511969	TCI	PBT GF30
4	54251497	33511964	END SEAL	SILICONE

- NOTES:
- 1) MAXIMUM TEMPERATURE CLASS: CLASS 111 (125°C)
 - 2) TEST METHOD PER: SEE CHART
 - 3) CONNECTOR MAY BE USED WITH THE FOLLOWING RANGE OF WIRE SIZES AND/TYPES:
 - APEX 150 TERMINALS:
 - SIZE : 22 GAGE- 16 GAGE- 1.50mm MIN O.D. TO 2.41mm MAX O.D.
 - TYPE : TXL (MIL123-A / MS-8288)
 - ALTERNATELY :
 - SIZE : 0.75mm² TO 1.5mm² / 1.70mm MIN O.D. TO 2.40mm MAX O.D.
 - TYPE : FLR2X (125°C PE-X) or FLRYW (125°C PVC)
 - (STRUCTURE & PROPERTIES PER ISO6722)
 - APEX 2.8 TERMINALS:
 - SIZE : 18 GAGE- 12 GAGE- 1.90mm MIN O.D. TO 3.30mm MAX O.D.
 - TYPE : TXL (MIL123-A / MS-8288)
 - ALTERNATELY :
 - SIZE : 1.00mm² TO 2.5mm² / 1.90mm MIN O.D. TO 3.00mm MAX O.D.
 - TYPE : FLR2X (125°C PE-X) or FLRYW (125°C PVC)
 - (STRUCTURE & PROPERTIES PER ISO6722)
 - 4) CONNECTOR MAY BE USED WITH THE FOLLOWING TERMINALS:
 - MVL APEX150 AND APEX 2.8 WITH WIRE SIZES DEFINED
 - IN NOTE 3: SEE MVL DRAWINGS J54011 AND C15005 FOR SPECIFIC PART NUMBERS AND CRIMPING REQUIREMENTS.
 - CONTACT MVL ENGINEERING REGARDING USE OF COMPATIBLE NON MVL TERMINALS
 - 5) ANNUAL QUALITY REQUIREMENTS: IT IS PERMISSIBLE TO PERFORM CONTINUOUS CONFORMANCE PER MVL SPECIFICATION #AQA-001 INSTEAD OF ANNUAL LAYOUT AND ANNUAL PV REQUIREMENTS OF QS-9000 SECTION 2 AND SAE/JUSCAR-2
 - 6) PART VALIDATION: SHORTING BAR PER SAE/JUSCAR-2 REV 4 TEMP CLASS 1 (-40°C +85°C) IN-LINE PER SAE/JUSCAR-2 REV 4 TEMP CLASS 3 (-40°C +125°C) IN-LINE PER SAE/JUSCAR-20 REV 2

SEE SHEET #1 FOR CHANGE DESCRIPTION

REV.	DATE	BY	CHKD	DESCRIPTION
1				

DELPHI TAXI NUMBER 13886841

DELPHI
DELPHI PACKAGING ELECTRONIC ASSEMBLY DIVISION

ASSEMBLY 14 WAY HYBRID MALE

APEX 150

DELPHI

DELPHI TAXI NUMBER 13886841

Mouser Electronics

Authorized Distributor

Click to View Pricing, Inventory, Delivery & Lifecycle Information:

[Aptiv:](#)

[54251408](#) [54251408-B](#) [54251403](#) [54251402](#) [54251402-B](#) [54251404](#) [54251404-B](#) [54251403-B](#)